

Click on the linked sections below



<b>SECTION A GENERAL INFORMATION</b>	<b>A1 - A8</b>
<a href="#">Customer Service Directory</a>	A1
<a href="#">General Conditions of Sale</a>	A2- A3
<a href="#">Product Warranty</a>	A4
<a href="#">Maintaining your Window and Door Hardware Products</a>	A5
<a href="#">Colours and Finishes</a>	A6
<a href="#">Glossary of Terms</a>	A7 - A8
<b>SECTION B PROJECTED WINDOW HARDWARE</b>	<b>B1 - B28</b>
<a href="#">Friction Stays</a>	B1 - B2
<a href="#">Restrictors</a>	B3
<a href="#">Window Fasteners</a>	B4 - B20
<a href="#">Electric Operators</a>	B21
<a href="#">Winders</a>	B22 - B23
<a href="#">Multi-Point</a>	B24 - B28
<b>SECTION C ROOF WINDOW HARDWARE</b>	<b>C1 - C2</b>
<a href="#">Electric Operators</a>	C1
<a href="#">Manual Operators</a>	C2
<b>SECTION D BI-FOLDING WINDOW AND DOOR HARDWARE</b>	<b>D1 - D10</b>
<a href="#">Twin Bolt Locksets</a>	D1 - D3
<a href="#">Millton Bi-fold 2-Point Locksets</a>	D4 - D6
<a href="#">Flush Bolts</a>	D7 - D9
<a href="#">Bi-fold - Heavy Duty Range</a>	D10
<a href="#">Hinges</a>	D10
<b>SECTION E SLIDING WINDOW AND DOOR HARDWARE</b>	<b>E1 - E31</b>
<a href="#">Keying Options</a>	E1 - E3
<a href="#">Endeavour Surface Mounted Locksets</a>	E4 - E16
<a href="#">Endeavour Mortice Locksets</a>	E17 - E20
<a href="#">Albany Mortice Locksets</a>	E21 - E23
<a href="#">Willo Locksets</a>	E24
<a href="#">Optimum Sliding Door Locksets</a>	E25 - E29
<a href="#">Sliding Door Accessories</a>	E30
<a href="#">Hinged and Sliding Door Accessories</a>	E30
<a href="#">Roller Carriages</a>	E31
<b>SECTION F HINGED DOOR HARDWARE</b>	<b>F1 - F46</b>
<a href="#">Keying Options</a>	F1 - F3
<a href="#">Optimum Locksets</a>	F4 - F20
<a href="#">Twinbolt French Door Locksets</a>	F21
<a href="#">Pull Handle Locksets</a>	F22 - F24
<a href="#">Key in Knob Sets</a>	F25 - F34
<a href="#">Handle Sets</a>	F35 - F39
<a href="#">Digital Entrance Set</a>	F40
<a href="#">Cylinders</a>	F41 - F46
<b>SECTION G ADDITIONAL SECURITY</b>	<b>G1 - G19</b>
<a href="#">Window Restrictors</a>	G1 - G2
<a href="#">Window Bolts</a>	G3 - G8
<a href="#">Door Bolts</a>	G9 - G11
<a href="#">Door Security Accessories</a>	G12 - G13
<a href="#">Cylinder Rim Lock</a>	G14
<a href="#">Keying</a>	G15 - G19

Catalogue & image downloads  
Solution examples  
Latest news & product information

GENERAL  
INFORMATION

A

# SECTION A

GENERAL INFORMATION



**ONE WEB**  
[www.assaabloy.co.nz](http://www.assaabloy.co.nz)

ASSA ABLOY, the global leader  
in door opening solutions.



Employing 220 Kiwis, ASSA ABLOY New Zealand Limited is proud to be part of the New Zealand Made initiative with the bulk of our Interlock products manufactured right here in New Zealand. We choose to use local suppliers, supporting local businesses.

ASSA ABLOY also export New Zealand made products throughout the world. Our high quality products are distributed to Australia, Asia, America, Europe, Africa and more.

At ASSA ABLOY our people work hard to manufacture high quality security products to ensure both you and your customers can have confidence when it comes to protecting their homes or commercial property.

Interlock is a renowned New Zealand-based brand that provides a wide range of high-quality door and window hardware solutions for both residential and commercial markets. Because the brand's product portfolio is broad, it is able to react creatively to individual needs, providing its customers with highly customised solutions.

Over the years, the Interlock brand has built a number of highly successful partnerships with key customers in core markets all around the world.

## KEYING SERVICES

ASSA ABLOY offers various keying systems to suit a vast range of applications and customer needs. We provide exceptionally locksmith-friendly products with Keyed-Alike, Master Keying, Grandmaster Keying, Construction Keying and Maison Keying capability. A wide range of ASSA ABLOY products can be incorporated into any of these keying systems for residential and commercial purposes as per customer needs.



### ENVIRONMENTAL SUSTAINABILITY

ASSA ABLOY New Zealand Limited is New Zealand's leading manufacturer of door and window hardware and conducts its business with high standards of integrity and concern for the environment.

ASSA ABLOY believes in responsible social and ethical behaviour and continuously seeks ways to reduce the consumption of resources, prevent pollution and improve the overall environmental impact from its operations and products.

Globally, ASSA ABLOY is at the forefront of Environmental Sustainability and this focus and drive is reflected through ASSA ABLOY New Zealand.



### QUALITY

ASSA ABLOY New Zealand Limited is a company which designs, manufactures, tests and markets high quality door and window hardware covering both the commercial and residential markets within the building industry.

Our Management System is designed to satisfy the requirements of ISO 9001:2000.

With quality systems in place we aim to:

- Understand current and future customer needs
- Deliver quality products, plus timely and cost effective service to our customers that exceed their expectations
- Employ a process approach to system management that involves all our people



ASSA ABLOY supplies “keyed to differ” cylinders with all locks unless special keying systems are requested. Selected ASSA ABLOY lock cylinders can be keyed alike to the same key, keyed to differ, construction keyed, master keyed or grand master keyed. These keying concepts are explained below.

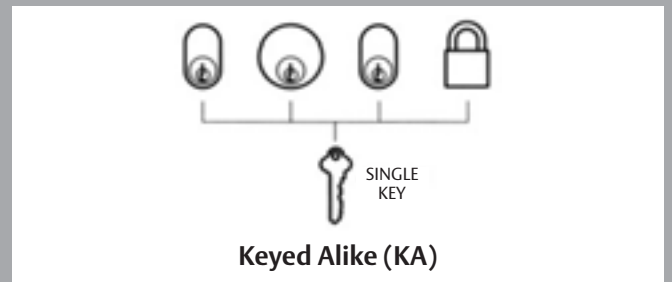
## Keyed to Differ (KD)

The key will only operate that particular cylinder. Used in standalone installations - usually supplied to the “do-it-yourself” market.



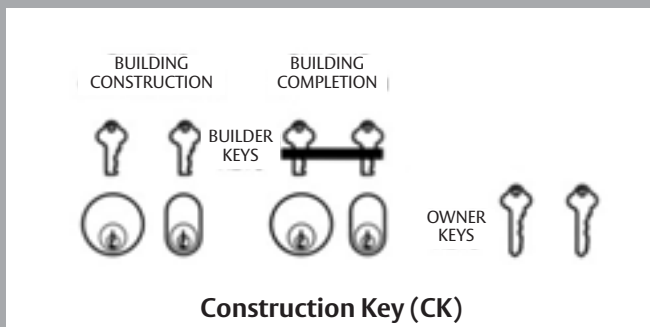
## Keyed Alike (KA)

Where the same key operates two or more cylinders. The keyed alike system gives the advantage of one key convenience in houses and commercial premises.



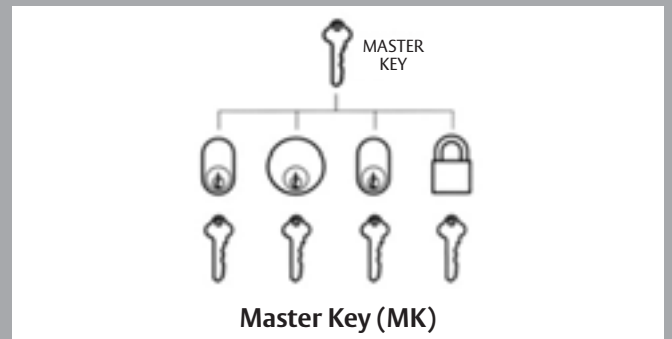
## Construction Key (CK)

A construction keyed cylinder provides builders and contractors with access to a building during its construction stage via a “construction key”. This system works in conjunction with a “servant key” (i.e. the owner’s key). Once the servant key is used in the lock, the construction key can no longer operate the cylinder. The servant key is therefore used at the completion of the job disengaging access of construction key holders (builders/contractors) to the building without the need to replace or rekey the cylinders.



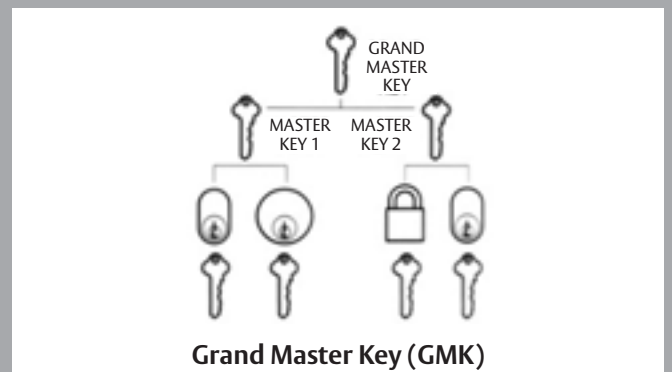
## Master Key (MK)

A number of cylinders in a group can be operated by one “master key” whilst at the same time can also be operated by individual keys. The master keying system is useful in applications such as motels, hotels, and office blocks amongst others.



## Grand Master Key (GMK)

An extension of a master key system, where a grand master key will operate a number of master key systems. For use in multi-level buildings that have a master key system for each floor or department.



## Additional Keys

The number of individual keys supplied by ASSA ABLOY depends on the keying option selected for the product.

- Keyed to Differ - 2 keys per lock
- Keyed Alike:
  - within the same product group - 2 keys per lock
  - across a range of products - minimum 4 keys per house/lot
- Construction Key - minimum 4 servant keys per house/lot
- Master Key - 2 servant keys per KD lock and KA group with 2 GMK and MK for the entire system

**Note:** there may be exceptions - ask ASSA ABLOY Customer Service Team if you are unsure. Additional keys may be requested for an extra charge.



## WINDOW AND DOOR HARDWARE

PAGE NUMBER

## SECTION A GENERAL INFORMATION

A1 - A8

Customer Service Directory	A1
General Conditions of Sale	A2- A3
Product Warranty	A4
Maintaining your Window and Door Hardware Products	A5
Colours and Finishes	A6
Glossary of Terms	A7 - A8

## SECTION B PROJECTED WINDOW HARDWARE

B1 - B28

Friction Stays	B1 - B2
Restrictors	B3
Window Fasteners	B4 - B20
Electric Operators	B21
Winders	B22 - B23
Multi-Point	B24 - B28

## SECTION C ROOF WINDOW HARDWARE

C1 - C2

Electric Operators	C1
Manual Operators	C2

## SECTION D BI-FOLDING WINDOW AND DOOR HARDWARE

D1 - D10

Twin Bolt Locksets	D1 - D3
Millton Bi-fold 2-Point Locksets	D4 - D6
Flush Bolts	D7 - D9
Bi-fold - Heavy Duty Range	D10
Hinges	D10

## SECTION E SLIDING WINDOW AND DOOR HARDWARE

E1 - E31

Keying Options	E1 - E3
Endeavour Surface Mounted Locksets	E4 - E16
Endeavour Mortice Locksets	E17 - E20
Albany Mortice Locksets	E21 - E23
Willo Locksets	E24
Optimum Sliding Door Locksets	E25 - E29
Sliding Door Accessories	E30
Hinged and Sliding Door Accessories	E30
Roller Carriages	E31

## WINDOW AND DOOR HARDWARE

PAGE NUMBER

## SECTION F HINGED DOOR HARDWARE

F1 - F46

Keying Options	F1 - F3
Optimum Locksets	F4 - F20
Twinbolt French Door Locksets	F21
Pull Handle Locksets	F22 - F24
Key in Knob Sets	F25 - F34
Handle Sets	F35 - F39
Digital Entrance Set	F40
Cylinders	F41 - F46

## SECTION G ADDITIONAL SECURITY

G1 - G19

Window Restrictors	G1 - G2
Window Bolts	G3 - G8
Door Bolts	G9 - G11
Door Security Accessories	G12 - G13
Cylinder Rim Lock	G14
Keying	G15 - G19

## CUSTOMER SERVICE DIRECTORY

If you have any questions regarding ASSA ABLOY, our products, or distribution, please contact either our Customer Services team or one of our Marketing Representatives.

## Customer Service Contact Details

<b>Phone</b>	+64 9 921 7630
<b>Fax</b>	+64 9 921 6504
<b>Email</b>	<a href="mailto:nzexport@assaabloy.com">nzexport@assaabloy.com</a>
<b>Website</b>	<a href="http://www.assaabloy.co.nz">www.assaabloy.co.nz</a>
<b>Address</b>	6 Armstrong Road Albany, North Shore City 0632 PO Box 100407 North Shore, North Shore City 0745

## Technical Marketing Support

<b>Natasha Chung</b>	Co-ordinator	<b>+64 21 241 9622</b>
<b>Ken Dick</b>	Sales Manager	<b>+64 21 243 1500</b>
<b>Andrew Marshall</b>	Specifier	<b>+64 9 415 7884</b>

## GENERAL CONDITIONS OF SALE

## 1. Master Agreement and Application

- 1.1** The parties agree that, pursuant to the Personal Properties Security Act 1999 (PPSA), these conditions of sale:
- (a) will apply to all products and services supplied by ASSA ABLOY New Zealand Limited ("ASSA ABLOY") to the buyer in the future, and that any such products supplied will be described as inventory;
  - (b) will prevail over any inconsistent terms or conditions contained or referred to in the buyer's purchase order or other correspondence, and will supersede all previous written or implied conditions of sale; and
  - (b) may be varied by ASSA ABLOY at any time by notice in writing to the buyer.
- 1.2** The buyer acknowledges that collateral supplied to the buyer by ASSA ABLOY is inventory.
- 1.3** Variation and improvements to design and printed specifications will continue to be made without notice.

## 2. Claims

Your order should be checked against the packing slip acknowledgement. Except as covered under the warranty clause, claims made seven days, or later, after the receipt of goods will not be recognised or admitted.

## 3. Proof of Delivery

Buyer must advise the carrier/s and ASSA ABLOY of non-delivery of invoiced goods within 28 days of receipt of invoice; unless such advice is received buyer admits delivery of invoiced goods.

## 4. Delivery

Split delivery – If only part consignment is delivered advise the carriers and ASSA ABLOY immediately clearly stating what has been delivered and what is missing.

Breakages – Sign 'unexamined'. Unpack without delay and advise the carriers and ASSA ABLOY of any damage or breakages immediately.

## 5. Delivery Date

Any time or date for despatch provided is an estimate only and ASSA ABLOY shall not be liable for the consequences of any delay.

## 6. Payment

Payment is agreed at time order is placed.

## 7. Remedies

- 7.1** The parties agree to contract out of Part 9 of the PPSA as far as it applies to ASSA ABLOY's rights to withhold delivery of subsequent orders, cancel discounts, and charge for debt collection and recovery costs, without prejudicing any of ASSA ABLOY's other rights under the PPSA or these conditions of sale. On default of payment ASSA ABLOY reserves the right to withhold delivery of all subsequent orders until settlement is received. When payment is late discounts may be cancelled. All debt collection agency fees, charges and debt recovery costs will be added to the amount due.
- 7.2** The buyer waives its, his or her right to do any of the following:
- (a) To object to ASSA ABLOY's proposal to retain any inventory under section 121 of the PPSA;
  - (b) To receive notice of a removal of an accession under section 129 of the PPSA;
  - (c) To apply to the Court for an order concerning the removal of an accession under section 131 of the PPSA;
  - (d) To redeem any inventory under section 132 of the PPSA; or
  - (e) To receive a copy of the verification statement confirming registration of a financing statement or a financing change statement relating to the security interest caused by this agreement.

## 8. Warranty

In addition to other written guarantees, ASSA ABLOY provides a warranty against faulty workmanship and/or materials and any claim on account of quality or condition will be limited to the invoiced value of the product alone and must be made in writing within 30 days of the arrival of the goods under this clause.

*Continues over page...*

**GENERAL CONDITIONS OF SALE****9. Returned Goods Policy**

Goods may only be returned with the prior consent of ASSA ABLOY.

The majority of product lines are made to order and are therefore non-returnable. Stocked product lines may be returned, subject to prior agreement and acceptance by ASSA ABLOY. Non-returnable product includes some non-stocked black product, product ordered in a "Special" colour, customised product, specially imported products and items with specific keying instructions. Please check with our Customer Services team for more information.

Upon confirmation that goods can be returned, a returned goods number must be obtained from ASSA ABLOY Customer Services. This number must be attached to the returned goods. ASSA ABLOY is unable to process credits unless the goods have a returned goods number.

Goods should be returned to ASSA ABLOY New Zealand Limited, freight and destination charges prepaid, fully insured at the purchaser's risk. All returns must be clearly marked with the returned goods number and be accompanied by a copy of the original invoice.

Any return of goods is on the proviso that the goods returned are in the same order and condition as when they were originally despatched by ASSA ABLOY and that the goods are returned within 14 days of the original order being placed.

On all the returns where ASSA ABLOY has despatched the order correctly, a handling fee of up to 25% of the invoice value may be deducted.

Where goods have been in the purchaser's hands for longer than 30 days, the request to return goods to ASSA ABLOY is solely at ASSA ABLOY's discretion, and the credit value of the returned goods will also be at ASSA ABLOY's discretion.

**10. Security**

- 10.1** The buyer grants ASSA ABLOY a purchase money security interest in inventory, as described by the PPSA, supplied by ASSA ABLOY to the buyer.
- 10.2** The buyer also grants ASSA ABLOY a general security interest in all the buyer's present and after acquired property for any indebtedness the buyer has to ASSA ABLOY from time to time.

- 10.3** ASSA ABLOY may allocate payment of indebtedness for any debt to any consignment of inventory provided to the buyer as ASSA ABLOY sees fit.
- 10.4** In default of payment in full on the due date ASSA ABLOY will have the right immediately to repossess and remove inventory without prejudice to any of ASSA ABLOY's other rights under this Agreement or otherwise, and the buyer hereby irrevocably authorises ASSA ABLOY to enter any premises where inventory may be for such purpose.
- 10.5** Any proceeds of sale of inventory supplied to the buyer by ASSA ABLOY shall be held in trust for ASSA ABLOY. ASSA ABLOY may trace the proceeds of any such sales in accordance with equitable principles.
- 10.6** The buyer acknowledges that ASSA ABLOY has provided inventory to the buyer on credit and the buyer acknowledges that ASSA ABLOY has a security interest in the inventory provided by ASSA ABLOY to the buyer.

**11. Notices**

Any notices to the buyer may be given by posting the notice to the buyer's last known postal address; emailing it to the buyer's last known email address; or faxing it to the buyer's last known facsimile number.

## PRODUCT WARRANTY

ASSA ABLOY New Zealand Limited ("ASSA ABLOY") supplies a range of products for local and international markets, manufactured in accordance with the product specifications as published from time to time and within the procedures required to the international standard certification ISO9001.

### Lockwood Warranty

ASSA ABLOY New Zealand Limited ("ASSA ABLOY") guarantees its Lockwood products against defects in workmanship and materials. If within the normal working life of a product it is found to be defective, ASSA ABLOY will supply the same or equivalent product free of charge.

All electrical and electronic components used in ASSA ABLOY's range of products excluding batteries are guaranteed for a period of 12 months from the date of proof of purchase, unless stated otherwise.

ASSA ABLOY assumes no liability under the guarantee for the following:

1. Improper installation or failure to follow fitting instructions.
2. Failure due to improper maintenance.
3. Fair wear and tear.
4. Indirect or consequential loss or damage.
5. Cost of removal and/or replacement.
6. Cost of freight and/or travelling time.
7. Damage to or deterioration of the plated finishes; Florentine Bronze, Architectural Bronze, Polished Brass, Gold and Satin Brass, which are classified as soft finishes, and are subject to deterioration under some environmental conditions.
8. Any modification or repairs to a product, as supplied, unless authorised by ASSA ABLOY.
9. Use of replacement parts other than authorised parts.
10. Malfunction or failure of the product due to the use of non-genuine ASSA ABLOY parts.
11. Malfunction or failure of the product due to the use of non-specified batteries.

Nothing in the ASSA ABLOY New Zealand Limited Guarantee excludes, restricts or modifies any condition, warranty, right or liability implied or protected by law where to do so would render the Guarantee, or any part of it, void.

### Interlock Warranty

ASSA ABLOY New Zealand Ltd ("ASSA ABLOY") guarantees its Interlock products against defects in workmanship and materials.

If within 5 years of purchase a product is found to be defective, ASSA ABLOY will supply the same or equivalent product free of charge.

ASSA ABLOY assumes no liability under the guarantee for the following:

1. Improper installation or failure to follow fitting instructions.
2. Failure due to improper maintenance.
3. Fair wear and tear.
4. Indirect or consequential loss or damage.
5. Cost of removal and/or replacement.
6. Cost of freight and/or travelling time.
7. Damage to or deterioration of plated finishes (soft finishes). As deterioration is possible under some environmental conditions, these finishes are excluded from this guarantee.
8. Any modification or repairs to a product, as supplied, unless authorised by ASSA ABLOY.
9. Use of replacement parts other than authorised parts.
10. Malfunction or failure of the product due to the use of non-genuine ASSA ABLOY parts.

Nothing in the ASSA ABLOY New Zealand Limited Warranty excludes, restricts or modifies any condition, warranty, right or liability implied or protected by law where to do so would render the Warranty, or any part of it, void.

### Securicraft Warranty

The warranty covers manufacturing defects, standard finishes but excludes plated finishes or finishes exposed to a corrosive environment.

The warranty excludes damage caused by installation contrary to written instructions and incidental or consequential damage.

We recommend regular cleaning with mild detergent.

### Claims

All claims must be approved by way of the published Warranty Claim Procedure using the ASSA ABLOY Warranty Claim Form. The claim must be approved by ASSA ABLOY in advance of any cost being incurred. ASSA ABLOY reserves the right to inspect the product in its installed state before a claim is approved. ASSA ABLOY shall at its sole discretion credit, repair or replace free of charge any product or part found upon the Company's inspection to be defective in accordance with this warranty.

### Liability

ASSA ABLOY makes no other warranty of any kind expressed or implied in respect of the products manufactured by ASSA ABLOY. ASSA ABLOY's sole responsibility is to repair or replace a product subject to a valid warranty claim. Under no circumstance will ASSA ABLOY be liable for direct, indirect, incidental or consequential costs or damages, including dismantling and reinstallation costs, loss of operations or profits, to the maximum extent permitted by law. ASSA ABLOY accepts no liability for personal injury or property damage resulting from failure to heed relevant installation, operation and safety procedures.

Some jurisdictions do not allow limitations or disclaimers of implied or statutory warranties or disclaimers or exclusions of consequential or incidental damages. Therefore the above disclaimers, limitations and exclusions may not apply in all jurisdictions in which ASSA ABLOY sells its products.

This warranty gives the owner specific legal rights. The owner may have other rights or remedies pursuant to the laws in its territory. Nothing in this limited warranty should be construed as limiting or restricting any other statutory right or remedy of the owner, except for such limitations or restrictions herein as may be allowed by the law of the territory.



## MAINTAINING YOUR WINDOW AND DOOR HARDWARE

With care and regular cleaning, your hardware products will have a long life and stay in good condition for many years. The effects of ultra violet light, atmospheric pollution, general dirt and grime, along with airborne salt deposits can all accumulate over time and should be removed at regular intervals.

### Maintaining the Finish of your Hardware

As a general rule, cleaning should take place at least every six months. In areas where environmental deposits are more prevalent, such as beach-front houses and industrial or geothermal areas, then cleaning should be carried out every two to three months.

### Three Steps to Cleaning your Powdercoated Hardware

- Step 1.** Remove loose deposits with a wet sponge rather than risk scratching the surface with dry dusting.
- Step 2.** Using a soft brush/cloth and soap or a mild household detergent in warm water, clean the surface to remove dust, salt and other deposits.
- Step 3.** Always rinse with fresh water after cleaning to remove any remaining detergent.

Weathered powdercoated areas, blemishes or scratches can be restored with the use of a Repair Kit. Please contact your aluminium joinery supplier for this.

### Precautions for Powdercoated Hardware

- NEVER use aggressive solvent cleaners on the product i.e. thinners and petrol.
- AVOID the use of any solvents near joints or plastic components.
- NEVER use anything abrasive i.e. steel wool, scrapers, scouring liquids or powders.
- ENSURE that the solvent is thoroughly rinsed from the product surface.
- MASK windows if painting. Where paint or plaster has spilled on the powdercoated finish, remove immediately with water or methylated spirits. Prolonged use of methylated spirits is not recommended and if used should be rinsed off immediately using clean water. Test a small area first to ensure that no damage to the surface or colour change will occur.

### Maintaining Your Plated Hardware

Special care needs to be taken to maintain plated surfaces.

- CLEAN with a soft damp cloth or dry duster.
- NEVER use abrasive cleaners, scourers or rough cloth that may damage or scratch the plated surface.
- NEVER use detergent.
- NEVER use chemical cleaners such as solvents or Brasso.
- AVOID the spray from ammonia window cleaners getting onto plated surfaces.
- PROTECT all plated surfaces when painting, varnishing or plastering.
- ALWAYS CLEAN AND RINSE S. Steel that may have come in contact with construction cleaning chemicals or their vapours immediately

- CLEAN REGULARLY using detergent and warm water, rinse with fresh water and dry afterwards.
- CLEAN STAINS and DISCOLOURATION with citric acid or nitric acid based cleaners or mild abrasive detergents like Jif. Rinse with fresh water and dry.
- NEVER allow construction cleaning chemicals (or any other cleaning chemical) to remain in contact or 'pool' on S. Steel.
- NEVER clean with wire wool or wire brushes (These will leave iron deposits that will rust).
- NEVER allow salt deposits to build up on S. Steel product.

### Maintaining the Functional Performance of your Hardware

**Friction Stays** - These may become stiff if the window is not operated at least once a week. If stiffness does occur, a light oil spray lubricant such as WD40 should be applied to the joints of the stays. Following application the window should be opened and closed at least ten times to remove the stiffness.

**Hinges** - Regular cleaning to remove accumulative build-up will ensure that the hinges retain a smooth operation. When necessary WD40 can be used to lubricate.

**Cylinders** - Salt build-up along with dust and grit can also affect the performance of your cylinders. Keys can become harder to turn as build-up accumulates. WD40 is effective in reviving your cylinder. Spray WD40 in the cylinder and on the key. The repeated use of the key in the cylinder will free up the working components.

**Mortice Locks** - To free up moving components WD40 can be sprayed into the lock body around the bolt and latch area. For best results depress the latch bolt for easy access to working parts. Operate the lock approximately ten times to lubricate moving parts.

**Electrical Products** - Do not allow the product to get wet. Ensure there is no obstruction such as leaves or branches during the operation of the product. Treat it as you would any other electrical appliance. Wipe keypads with a clean damp cloth. Do not use solvents. To clean chains, brush off dirt and dust.

**Rollers** - Keep the track clear of debris such as sand, leaves and dust. If the roller does appear to be stiff, Vaseline on the bearing can free this up.

**Window Fasteners** - Regular cleaning to remove build-up will ensure that the fasteners retain a smooth operation.

*This information has been prepared to help you get the best life from your hardware products. Failure to adhere to recommended maintenance procedures will render the ASSA ABLOY product warranty null and void and may cause permanent damage to the product. If you have any questions please contact your aluminium joinery supplier.*

## COLOURS AND FINISHES

## Special Colours

If you require powdercoated colours other than black or the other colours listed, the product will be available as a special with a suffix "(SPEC)". In this case both the colour name and the code must be specified on the order.

## Product Finishing Codes

Below is a list of common colours and surface finishes. The codes listed should be added to the product number when ordering, as applicable.

Note: Not all of these finishes are available on all products.

<b>B</b>	Black Powdercoat	<b>PR</b>	Primrose Powdercoat
<b>PW</b>	Pearl White Powdercoat	<b>W</b>	White Powdercoat
<b>(SPEC)</b>	Special Powdercoat Finish	<b>PB</b>	Polished Brass
<b>SC</b>	Satin Chrome Plated		

## GLOSSARY OF TERMS

**A-Series** - Series of friction stays made of aluminium.

**Actuator** - The component of the Securilatch fitted to the window frame with a press button responsible for activating the lock system that opens the window.

**Anti-Slam Button** - Must be pushed before the lock beaks can be engaged. This helps prevent damage from the door being slammed shut with the lock beaks out.

**Austenitic S. Steel** - Corrosion-resistant, made with S. Steel.

**Awning Window** - A window with an outward opening sash, hung about a horizontal axis at the top or on friction stays at the side.

**Backset** - The distance from the face of the lock to the centre line of the lock cylinder.

**Bi-fold** - A sliding door or window with sections that fold onto one another as the door opens.

**Bi-parting** - Two sliding doors in a frame that lock together in the centre.

**Block and Tackle Takeout System** - A spring balance which fits into the inner part of the window frame and applies a lifting force to pull the window sash upwards. For single and double-hung windows.

**Bracket - Sash/Transom** - A simple rigid structure in the shape of an L, one arm of which is fixed to a vertical surface, the other projecting horizontally to support a weight.

**Butt Hinge** - A hinge composed of two plates attached to adjacent surfaces of a door/window and jamb and joined by a pin.

**C-Groove** - European standard C-shaped groove in the inner part of the window frame.

**C4 Format Lock** - A conventional lock cylinder based on the registered C4 key shape format.

**Casement Operator** - Window opening system with a winding handle, for use with casement windows.

**Casement Window** - A window with an outward opening sash, hung about a vertical axis at the side.

**Commercial Weight** - Built to take the heavier loads and weights of commercial applications.

**Computer Aided Design (CAD)** - Process of using CAD software for product and tooling design.

**Concealed Friction Joint** - The stay joint is covered to protect friction surface from dust and debris.

**'D' Pull** - Handle shaped as a 'D', functions as a door or window grip.

**DA Stay** - Double Action stay: first phase ventilation, second phase cleaning.

**Daylatch** - System offering both a latch and a key lock on the inside of the door, the daylatch acting as a quick and convenient latching option.

**Deadbolt** - A bolt on a lock that is moved by turning the key or knob.

**Deadlock** - Key access from inside and outside the door or window for extra security.

**Die-cast** - Process of manufacturing a product via molten metal entering a mould.

**Door Handing** - The orientation of the hardware to Australasian standard.

**Double Hung Sash Window** - A window that has two sashes that slide up and down.

**Double Key Cylinder** - Cylinder with a lock face on both ends, used in deadlocking applications.

**Double Operating Action** - When a stay has a sliding action allowing a window to be opened to 90° for cleaning.

**Double Tongue** - Second tongue on a window fastener, which allows the window to be left slightly open for ventilation.

**Drop Bolt** - Additional fastening on door that serves as a lock, activated by a key.

**Dummy** - A handle and housing without the latching or locking mechanisms. Intended to match a functional handle on a double door/window system.

**Escutcheon Plate** - A protective plate for a keyhole.

**Extension Rod** - An extension to a head or sill lock rod for use on tall (above standard) doors directly.

**Face Fix** - The fastener is fixed direction through the base onto the face of the window sash.

**Finish** - Final cover treatment of the product for appearance and protection, in both plated finishes or powdercoat colour.

**Friction Bearing** - Sealed nylon bearings working as highly accurate and strong pivot centres for stays. The sealing ensures durability and maximum product life.

**Friction Hinge** - To brace and support the window sash for opening. Also known as a stay.

**Furniture** - Fittings complimentary to the lock systems, such as handles and escutcheon plates.

**Half Cylinder** - Cylinder with a lock face on only one end, for such systems as 'lock inside only'.

**HD Stay** - Heavy-duty stay for commercial applications.

**High Forces** - Intense forces such as strong winds.

**Hook Bolt** - Projecting bolt on a hinged or sliding door lock that hooks into the striker for added security.

**Jamb** - Vertical posts or pieces that together form the sides of a door or window frame.

**Keyed Alike** - Where the same key operates two or more cylinders.

**LF** - Low friction.

## GLOSSARY OF TERMS

**LH** - Left hand.

**Latch** - The fastening on a door that fits into the notch or slot on a door jamb and is lifted from either side by the handle.

**Lock Barrel** - Lock cylinder.

**Lock Body** - Lock mechanism.

**Lock Cylinder** - The metal surround of the lock that fits into the lock body.

**Lockset** - A set of hardware for shutting or locking a door.

**Master Keyed** - A number of cylinders in a group can be operated by one 'master key' whilst at the same time can also be operated by individual keys.

**Mortice Mounted** - The lock is fitted inside the door stile as opposed to mounted on the surface.

**Mullion** - The upright bar between sashes of a window (the sill is the horizontal bar).

**NF** - Non-friction.

**Negative Pressure** - A pressure imbalance between the inside and outside of a window/door resulting in a force tending to pull the window/door off a building.

**Non-handed** - The ability to reverse the product or key component to suit left or right-hand installation.

**Offset Tongue** - Single tongue on a window fastener offset further from the base allowing for better handgrip.

**Opposing Tongue** - Two tongues on opposite sides of the window fastener handle, one allowing the window to be left slightly open for ventilation. Alternative to double tongue.

**P Colours** - A choice of the most common powdercoat colours used on ASSA ABLOY window and door hardware.

**Packer** - Fills any space between the product and its installation site, when dimensions may differ.

**Patio Set** - A lock designed with a turn knob inside to lock the outside knob.

**Pivoting Sash** - Window sash with a sash arm assembly that enables it to be opened outward as in both casement and awning applications.

**Powdercoat** - Polyester-based coating for aluminium products providing a smooth colour finish.

**Pressure die-cast** - When metal is forced into a mould to manufacture products requiring thinner wall sections.

**Pre-treatment** - Chemical process that cleans off oil, dirt and other contamination before final finish is applied, and provides corrosion protection in some cases.

**Profile high/low** - How far the handle of a window fastener is set from the base. Low profile is necessary when the handle must fit behind a fly screen or sliding door.

**PSH** - Projected Side Hung window – casement.

**PTH** - Projected Top Hung window – awning.

**Projected Windows** - Windows that open outward.

**"Pull-in" Feature** - ASSA ABLOY's patented pull-in effect creates a tight weatherproof seal around the window sash.

**RH** - Right-hand.

**Reversible Latch** - The ability to reverse the bevelled side of the latch to suit a choice of left or right hand closing.

**Rivet** - Joins frame plate, sash plate, long arm and short arm together on a friction hinge.

**S4B** - Sliding 4-Bar stay.

**Sash** - A frame in which the panes of a window or door are set.

**SBML** - Slim Backset Mortice Lock.

**Securiturn** - Removable turning mechanism for lock cylinders. Simple and secure locking option in place of a conventional key.

**Security Rod** - Steel rod for hinged door lock that functions as an additional locking point.

**Snib** - The latch that activates the locking beaks on sliding door and window systems.

**Special (SPEC)** - A special powdercoat colour not one of the most common colours offered by ASSA ABLOY (P colours).

**Stay** - Friction hinge – top brace and support the window sash for opening. Also known as friction hinge.

**Stay Selection Matrix** - A chart that indicates the most suitable stay length based on a grid matching sash weight and height.

**Stile** - The vertical section of a door in which the lock is housed.

**Striker** - Acts as a receptacle for the drop bolt or latch.

**Sub Fix** - The fastener is fixed to the window sash from underneath the base of the fastener.

**Surface Mounted** - The lock is mounted on the surface of the door stile.

**Top Hung Window** - Awning window.

**Transom** - A horizontal crosspiece through the middle of a door or window.

**Turn Knob** - Turning mechanism that activates the door lock from the inside, a convenient locking option in place of a key.

**uPVC** - Unplasticised Polyvinyl Chloride. Polyvinyl Chloride is a common thermoplastic resin that is strong, lightweight, fire-resistant and durable. Used in window construction.

**Vertical Sliding Window** - Sash window that slides upward.

**Wedge** - Tongue of the window fastener lodges tightly against the wedge to ensure a tight seal between the window sash and the window frame.

**Wedgeless Fastener** - Has a flap (wedge) attached to the main window fastener. Upon opening the flap is automatically raised, upon closing automatically lowered.

# SECTION B

PROJECTED WINDOW HARDWARE



**SECTION B PROJECTED WINDOW HARDWARE**

PAGE NUMBER

<b>Friction Stays</b>	<b>1 - 2</b>
4-B Series	1
4-BC Series	1
A-Series	2
DA32 Series	2
HD6 Series	2
<b>Restrictors</b>	<b>3</b>
Safety Stays	3
Casement Restrictor Stays	3
<b>Window Fasteners</b>	<b>4 - 20</b>
Aria Venting Wedgeless Fastener	4
Aria Low Profile Confix Fastener	4
Aria Wedgeless	5
Wedgeless	5 - 8
Wedgeless Deluxe	9 - 10
Avon	11 - 12
Avon Timber	13 - 14
Avonal	15
Styleline 2 / Slimline 2	15 - 18
Wedges	18 - 20
<b>Electric Operators</b>	<b>21</b>
Conel	21
<b>Winders</b>	<b>22 - 23</b>
Casement Operator	22
Single Arm Operator	23
Awning Operator	23
<b>Multi-Point</b>	<b>24 - 28</b>
Ultimate One	24 - 26
Resolute One	26 - 28



If windows fall outside the specifications set for friction stays in this catalogue, then ASSA ABLOY can assist in determining the most appropriate friction stay model. Please photocopy and complete this form, then fax to Assa Abloy New Zealand Ltd. : + 64 9 9216504

Reference: \_\_\_\_\_

**Note: All requested information must be provided**

**Fill out a separate sheet for each sash size**

<b>Project Name</b>	
<b>Market</b>	
<b>Market Representative</b>	

### Site Details

Location	
Local Design Wind Speed	
Design Negative Pressure	
Number of Storeys	
Building Usage	

### Regulatory Requirements

Safety from falling required	YES		NO	
Design code				

### Special Requirements


### Section Details

Material                      Aluminium                       uPVC                       Timber                       Composite

Sash                              Extrusion Number                     

Frame                            Extrusion Number                     

Seal                                Extrusion Number                     

### Sash Details

Type                              PTH     PSH

Number of sashes				
Location on Building	(1)			
Sash Height				
Sash Width				
Glazed Weight				
Glazing Thickness	(2)			
Mode of Operation	(3)			
Other Hardware	(4)			

- (1) What storey or floor are they located on
- (2) Note: state if double-glazed
- (3) State if push out, manual or electric operator
- (4) Details of fasteners, operators and restrictors etc.

Description	Finish	Part Number
-------------	--------	-------------

## Friction Stays



### Friction Stay Options

<b>A</b> : Awning Full Friction	<b>V</b> : Vent Reduced Friction	<b>SH</b> : Short
<b>C</b> : Casement	<b>HD</b> : Heavy Duty	<b>N</b> : Narrow
<b>NF</b> : Non Friction	<b>DA</b> : Double Action	<b>R</b> : Restricted Opening

Note: Not all stays will fit all suites. Check with your window system supplier for suitability.

All non standard product is non refundable.

Please refer to the Interlock Technical Catalogue for information and compliance to NZ4211 Standard.

## 4-B Series

### AWNING 4-BAR FRICTION STAYS - STAINLESS STEEL



TRADE PACK		
200 4B	Stainless Steel	P1002
200 4B NF	Stainless Steel	P1002NF
200 4B V	Stainless Steel	P1001
350 4B	Stainless Steel	P1003
350 4B NF	Stainless Steel	P1003NF
500 4B	Stainless Steel	P1004
500 4B NF	Stainless Steel	P1004NF

## 4-BC Series

### CASEMENT 4-BAR FRICTION STAYS - STAINLESS STEEL



TRADE PACK		
230 4BC	Stainless Steel	P1090
230 4BC NF	Stainless Steel	P1090NF
230 4BC R	Stainless Steel	P1090R
300 4BC	Stainless Steel	P1120
330 4BC	Stainless Steel	12C-NS3300-00F
430 4BC	Stainless Steel	P1080
430 4BC NF	Stainless Steel	P1080NF
430 4BC SH	Stainless Steel	P1080SH

Description	Finish	Part Number
-------------	--------	-------------

**A Series**

**AWNING 4-BAR FRICTION STAYS - ALUMINIUM**



TRADE PACK		
230 A	Black	P1560B
230 NF	Black	P1559B
230 V	Black	P509B
330 A	Black	P1561B
420 HD A	Black	P1553B
500 A	Black	P1530B

**DA32 Series**

**DOUBLE ACTION 4-BAR FRICTION STAYS - ALUMINIUM**



TRADE PACK		
250 DA32	Black	P290B
350 DA32	Black	P291B
550 DA32 RH	Black	P292RH
550 DA32 LH	Black	P292LH
750 DA32 RH	Black	P293RH
750 DA32 LH	Black	P293LH

**HD6 Series**

**AWNING, HEAVY DUTY 4-BAR FRICTION STAYS - ALUMINIUM**



TRADE PACK		
300 HD6	Black	P1532B
300 HD6 NF	Black	P567B
450 HD6	Black	P1533B
600 HD6	Black	P1534B

*Note: 450 HD6 is also offered for casement windows*

Description

Finish

Part Number

Restrictors



Safety Stays

AWNING AND CASEMENT RESTRICTOR - STAINLESS STEEL



DISPLAY PACK

Single Window Pack	Stainless Steel	P1097C
Double Window Pack	Stainless Steel	P1097C4

TRADE PACK

Concealed Stay (Fixings Included)	Stainless Steel	P1097LS
-----------------------------------	-----------------	---------

*Note: Minimum order quantity 20 pairs.*

BULK PACK

Concealed Stay (Stay Only)	Stainless Steel	P1097
----------------------------	-----------------	-------

*Note: Minimum order quantity 100 pairs.*

Concealed Stay (Stay Only)	Stainless Steel	P1097A
----------------------------	-----------------	--------

FRICTION AND RESTRICTOR STAY ACCESSORIES



TRADE PACK

Snubber / Pull-in Block	Black	C2663
-------------------------	-------	-------

*Note: Use in pairs*



Sash Riser Block	Black	P545B
------------------	-------	-------

*Note: Bag of 50.*



Safety Stay Concealed Restrictor Packer - Plastic	Black	P1097P
---	-------	--------

Casement Restrictor Stays

NON-RELEASABLE CASEMENT RESTRICTOR - STAINLESS STEEL



TRADE PACK

270mm	Black	P1102
-------	-------	-------

*Note: Minimum order quantity 10 units.*

Description	Finish	Part Number
-------------	--------	-------------

Window Fasteners



Aria Venting Wedgeless Fastener

ARIA - 6MM FACE FIX



TRADE PACK		
Right Hand	Black	540B
Right Hand	Special	540(SPEC)
Right Hand	Satin Chrome	540SC
Left Hand	Black	541B
Left Hand	Special	541(SPEC)
Left Hand	Satin Chrome	541SC

Aria Low Profile Confix Fastener

ARIA - 5.5MM FACE FIX



TRADE PACK		
Right Hand	Black	550B
Right Hand	Special	550SPEC
Right Hand	Satin Chrome	550SC
Left Hand	Black	551B
Left Hand	Special	551SPEC
Left Hand	Satin Chrome	551SC

ARIA - 8MM FLAP



TRADE PACK		
Right Hand	Black	560B
Right Hand	Special	560SPEC
Right Hand	Satin Chrome	560SC
Left Hand	Black	561B
Left Hand	Special	561SPEC
Left Hand	Satin Chrome	561SC

Description	Finish	Part Number
-------------	--------	-------------

**Aria Wedgeless**

**ARIA - 6MM LOW PROFILE, FACE FIX**



TRADE PACK		
Right Hand	Black	520B
Right Hand	Special	520(SPEC)
Right Hand	Satin Chrome	520SC
Left Hand	Black	521B
Left Hand	Special	521(SPEC)
Left Hand	Satin Chrome	521SC



**ARIA - 6MM HIGH PROFILE, FACE FIX**



TRADE PACK		
Right Hand	Black	530B
Right Hand	Special	530(SPEC)
Right Hand	Satin Chrome	530SC
Left Hand	Black	531B
Left Hand	Special	531(SPEC)
Left Hand	Satin Chrome	531SC



**Wedgeless**

**4MM LOW PROFILE - FACE FIX**



TRADE PACK		
Right Hand	Black	322B
Right Hand	Pearl White	322PW
Right Hand	Special	322(SPEC)
Left Hand	Black	323B
Left Hand	Pearl White	323PW
Left Hand	Special	323(SPEC)





Description	Finish	Part Number
-------------	--------	-------------

Wedgeless continued...

4MM HIGH PROFILE - FACE FIX



TRADE PACK		
Right Hand	Black	332B
Right Hand	Pearl White	332PW
Right Hand	Special	332(SPEC)



Left Hand	Black	333B
Left Hand	Pearl White	333PW
Left Hand	Special	333(SPEC)

6MM LOW PROFILE - FACE FIX



DISPLAY PACK		
Right Hand	Black	MC320B



Left Hand	Black	MC321B
-----------	-------	--------

Note: Includes screws.



TRADE PACK		
Right Hand	Black	320B
Right Hand	Special	320(SPEC)



Left Hand	Black	321B
Left Hand	Special	321(SPEC)

Description	Finish	Part Number
-------------	--------	-------------

Wedgeless continued...

6MM HIGH PROFILE - FACE FIX



DISPLAY PACK		
Right Hand	Black	MC330B



Left Hand	Black	MC331B
<i>Note: Includes screws.</i>		



TRADE PACK

Right Hand	Black	330B
------------	-------	------

Right Hand	Pearl White	330PW
------------	-------------	-------

Right Hand	Special	330(SPEC)
------------	---------	-----------



Left Hand	Black	331B
-----------	-------	------

Left Hand	Pearl White	331PW
-----------	-------------	-------

Left Hand	Special	331(SPEC)
-----------	---------	-----------

6MM LOW PROFILE - SUB FIX



DISPLAY PACK		
Right Hand	Black	MC420B



Left Hand	Black	MC421B
-----------	-------	--------

*Note: Includes screws.*



TRADE PACK

Right Hand	Black	420B
------------	-------	------

Right Hand	Special	420(SPEC)
------------	---------	-----------



Left Hand	Black	421B
-----------	-------	------

Left Hand	Special	421(SPEC)
-----------	---------	-----------

Description	Finish	Part Number
-------------	--------	-------------

Wedgeless continued...

6MM HIGH PROFILE - SUB FIX



DISPLAY PACK		
Right Hand	Black	MC430B
Left Hand	Black	MC431B
<i>Note: Includes screws.</i>		
TRADE PACK		
Right Hand	Black	430B
Right Hand	Special	430(SPEC)
Left Hand	Black	431B
Left Hand	Special	431(SPEC)

ACCESSORIES





TRADE PACK		
Base Cover Sub Fix	Black	8722B
Base Cover Sub Fix	Special	8722(SPEC)
Flush Insert Face Fix / Sub Fix	Black	8723B
Flush Insert Face Fix / Sub Fix	Special	8723(SPEC)
Base Packer 4mm	Black	8724B
Base Packer 4mm	Special	8724(SPEC)



Description	Finish	Part Number
-------------	--------	-------------

**Wedgeless Deluxe**




**4MM LOCKING - FACE FIX**

TRADE PACK			
	Right Hand	Black	355B
	Right Hand	Pearl White	355PW
	Right Hand	Special	355(SPEC)
	Left Hand	Black	356B
	Left Hand	Pearl White	356PW
	Left Hand	Special	356(SPEC)

**4MM NON-LOCKING - FACE FIX**

TRADE PACK			
	Right Hand	Black	350
	Right Hand	Special	350(SPEC)
	Left Hand	Black	351
	Left Hand	Special	351(SPEC)



**6MM LOCKING - FACE FIX**

DISPLAY PACK			
	Right Hand	Black	MC345B
	Left Hand	Black	MC346B
<i>Note: Includes screws.</i>			
TRADE PACK			
	Right Hand	Black	345B
	Right Hand	Pearl White	345PW
	Right Hand	Special	345(SPEC)
	Left Hand	Black	346B
	Left Hand	Pearl White	346PW
	Left Hand	Special	346(SPEC)





Description	Finish	Part Number
-------------	--------	-------------

Wedgeless Deluxe continued...

6MM NON-LOCKING - FACE FIX

TRADE PACK			
	Right Hand	Black	340B
	Right Hand	Pearl White	340PW
	Right Hand	Special	340S
	Left Hand	Black	341B
	Left Hand	Pearl White	341PW
	Left Hand	Special	341S

6MM LOCKING - SUB FIX

DISPLAY PACK			
	Right Hand	Black	MC445B
	Left Hand	Black	MC446B
	<i>Note: Includes screws.</i>		
	Left Hand	Black	MC446B
TRADE PACK			
	Right Hand	Black	445B
	Right Hand	Special	445(SPEC)
	Left Hand	Black	446B
	Left Hand	Special	446(SPEC)

ACCESSORIES

TRADE PACK		
	Wedgeless Deluxe Key	8761

Description	Finish	Part Number
-------------	--------	-------------

**Avon**

**9MM LOCKING - FACE FIX**



TRADE PACK			
Right Hand	Black	860B	
Right Hand	Pearl White	860PW	
Right Hand	Special	860(SPEC)	
Right Hand	Satin Chrome	860SC	



Left Hand	Black	861B
Left Hand	Pearl White	861PW
Left Hand	Special	861(SPEC)
Left Hand	Satin Chrome	861SC

**9MM NON-LOCKING - FACE FIX**



TRADE PACK			
Right Hand	Black	8601B	
Right Hand	Pearl White	8601PW	
Right Hand	Special	8601(SPEC)	
Right Hand	Satin Chrome	8601SC	



Left Hand	Black	8611B
Left Hand	Pearl White	8611PW
Left Hand	Special	8611(SPEC)
Left Hand	Satin Chrome	8611SC



Description	Finish	Part Number
-------------	--------	-------------

Avon continued...

13MM LOCKING - FACE FIX



TRADE PACK		
Right Hand	Black	862B
Right Hand	Pearl White	862PW
Right Hand	Special	862(SPEC)



Left Hand	Black	863B
Left Hand	Pearl White	863PW
Left Hand	Special	863(SPEC)

13MM NON-LOCKING - FACE FIX



TRADE PACK		
Right Hand	Black	8602B
Right Hand	Pearl White	8602PW
Right Hand	Special	8602(SPEC)
Right Hand	Satin Chrome	8602SC



Left Hand	Black	8612B
Left Hand	Pearl White	8612PW
Left Hand	Special	8612(SPEC)
Left Hand	Satin Chrome	8612SC

Description	Finish	Part Number
-------------	--------	-------------

Avon Timber

17MM LOCKING - FACE FIX - FOR TIMBER JOINERY (INCLUDES WEDGES AND SCREWS)



DISPLAY PACK		
Right Hand	White	MC896W
Right Hand	F/Bronze	MC896BR
Right Hand	Polished Brass	MC896PB
Right Hand	Satin Chrome	MC896SC



Left Hand	White	MC897W
Left Hand	F/Bronze	MC897BR
Left Hand	Polished Brass	MC897PB
Left Hand	Satin Chrome	MC897SC



TRADE PACK		
Right Hand	Black	896B
Right Hand	Pearl White	896PW
Right Hand	Special	896(SPEC)
Right Hand	Satin Chrome	896SC



Left Hand	Black	897B
Left Hand	Pearl White	897PW
Left Hand	Special	897(SPEC)
Left Hand	Satin Chrome	897SC

Description	Finish	Part Number
-------------	--------	-------------

Avon Timber continued...

17MM NON-LOCKING - FACE FIX - FOR TIMBER JOINERY (INCLUDES WEDGES AND SCREWS)



DISPLAY PACK		
Right Hand	White	MC898W
Right Hand	F/Bronze	MC898BR
Right Hand	Polished Brass	MC898PB
Right Hand	Satin Chrome	MC898SC



Left Hand	White	MC899W
Left Hand	F/Bronze	MC899BR
Left Hand	Polished Brass	MC899PB
Left Hand	Satin Chrome	MC899SC



TRADE PACK		
Right Hand	Black	898B
Right Hand	Pearl White	898PW
Right Hand	Special	898(SPEC)
Right Hand	Satin Chrome	898SC



Left Hand	Black	899B
Left Hand	Pearl White	899PW
Left Hand	Special	899(SPEC)
Left Hand	Satin Chrome	899SC

AVON ACCESSORIES



TRADE PACK		
Screw Cover	Black	8750B
Screw Cover	Pearl White	8750PW
Screw Cover	Special	8750(SPEC)
Screw Cover	Satin Chrome	8750SC



Avon Key	Nickel	8761
----------	--------	------

Description	Finish	Part Number
-------------	--------	-------------

## Avonal

### LOCKING



TRADE PACK			
Right Hand	Black	902B	
Right Hand	Special	902(SPEC)	
Left Hand	Black	901B	
Left Hand	Special	901(SPEC)	



### NON-LOCKING



TRADE PACK			
Right Hand	Black	904B	
Right Hand	Special	904(SPEC)	
Left Hand	Black	903B	
Left Hand	Special	903(SPEC)	



## Styleline 2 / Slimline 2

### STYLELINE 2 - STANDARD, FACE FIX



DISPLAY PACK			
Right Hand	Black	MC204R	
Left Hand	Black	MC205L	



*Note: Includes screws.*



TRADE PACK			
Right Hand	Black	204B	
Right Hand	Special	204(SPEC)	
Left Hand	Black	205B	
Left Hand	Special	205(SPEC)	



Description	Finish	Part Number
-------------	--------	-------------

Styleline 2 / Slimline 2 continued...

STYLELINE 2 - DOUBLE TONGUE, FACE FIX



DISPLAY PACK		
Right Hand	Black	MC240R



Left Hand	Black	MC241L
<i>Note: Includes screws.</i>		



TRADE PACK

Right Hand	Black	240B
------------	-------	------

Right Hand	Special	240(SPEC)
------------	---------	-----------



Left Hand	Black	241B
-----------	-------	------

Left Hand	Special	241(SPEC)
-----------	---------	-----------

SLIMLINE 2 - LOW PROFILE, FACE FIX



DISPLAY PACK		
Right Hand	Black	MC242R



Left Hand	Black	MC243L
<i>Note: Includes screws.</i>		



TRADE PACK

Right Hand	Black	242B
------------	-------	------

Right Hand	Special	242(SPEC)
------------	---------	-----------



Left Hand	Black	243B
-----------	-------	------

Left Hand	Special	243(SPEC)
-----------	---------	-----------

STYLELINE 2 - STANDARD, SUB FIX



DISPLAY PACK		
Right Hand	Black	MC274R



Left Hand	Black	MC275L
-----------	-------	--------

*Note: Includes screws.*

Description	Finish	Part Number
-------------	--------	-------------

## Styleline 2 / Slimline 2 continued...

### STYLELINE 2 - STANDARD, SUB FIX CONTINUED...



TRADE PACK		
Right Hand	Black	274B
Right Hand	Special	274(SPEC)



Left Hand	Black	275B
Left Hand	Special	275(SPEC)

### STYLELINE 2 - DOUBLE TONGUE, SUB FIX



DISPLAY PACK		
Right Hand	Black	MC270R



Left Hand	Black	MC271L
-----------	-------	--------

*Note: Includes screws.*



TRADE PACK		
Right Hand	Black	270B
Right Hand	Special	270(SPEC)



Left Hand	Black	271B
Left Hand	Special	271(SPEC)

### SLIMLINE 2 - LOW PROFILE, SUB FIX



DISPLAY PACK		
Right Hand	Black	MC272R



Left Hand	Black	MC273L
-----------	-------	--------

*Note: Includes screws.*



TRADE PACK		
Right Hand	Black	272B
Right Hand	Special	272(SPEC)



Left Hand	Black	273B
Left Hand	Special	273(SPEC)

Description	Finish	Part Number
-------------	--------	-------------

Styleline 2 / Slimline 2 continued...

ACCESSORIES



TRADE PACK		
Base Packer 1.5mm	Black	2701B
Base Packer 3.0mm	Black	2711B
Base Packer 4.5mm	Black	2721B
Base Packer for Vertical Fix	Black	8721B

Wedges

STANDARD PIN WEDGES



TRADE PACK		
3.0mm - 2-Pin	Black	8711B
3.0mm - 2-Pin	Pearl White	8711PW
3.0mm - 2-Pin	Special	8711(SPEC)
4.0mm - 2-Pin	Black	2693B
4.0mm - 2-Pin	Special	2693(SPEC)
5.0mm - 2-Pin	Black	2641B
5.0mm - 2-Pin	Special	2641(SPEC)

STANDARD ADHESIVE WEDGES - 5 WEDGES PER DISPLAY PACK



DISPLAY PACK		
2.0mm	Black	MC8714B
3.0mm	Black	MC8713B
4.0mm	Black	MC2695B

STANDARD ADHESIVE WEDGES



BULK PACK		
2.0mm	Black	8714B
2.0mm	Special	8714(SPEC)
3.0mm	Black	8713B
3.0mm	Special	8713(SPEC)
4.0mm	Black	2695B
4.0mm	Special	2695(SPEC)

Description	Finish	Part Number
-------------	--------	-------------

Wedges continued...

STANDARD RIVET WEDGES



TRADE PACK		
3.0mm	Black	2682B
3.0mm	Pearl White	2682PW
3.0mm	Special	2682(SPEC)
4.0mm	Black	2621B
4.0mm	Pearl White	2621PW
4.0mm	Special	2621(SPEC)

NON-STANDARD PIN WEDGES



TRADE PACK		
3.0mm - 1-Pin	Black	8710B
3.5mm - 2-Pin	Black	2611B
3.5mm - 2-Pin	Special	2611S
3.5mm - Narrow - 2-Pin	Black	2612B
3.5mm - Narrow - 2-Pin	Special	2612(SPEC)
4.0mm - 2-Pin	Black	2631B
4.0mm - 2-Pin	Special	2631S
4.2mm - 2-Pin	Black	2661B
4.2mm - 2-Pin	Special	2661(SPEC)
7.8mm - 2-Pin	Black	2692B



Description	Finish	Part Number
-------------	--------	-------------

Wedges continued...

NON-STANDARD RIVET WEDGES



TRADE PACK		
3mm	Black	8712B
6.5mm	Black	2694B
8.0mm	Black	2671B
9.5mm	Black	2651B
9.5mm	Special	2651(SPEC)

ACCESSORIES



TRADE PACK		
Timber Wedge, Ventilation	Black	505B
Timber Wedge, Ventilation	Special	505(SPEC)
Commercial Keeper	Black	50090
Commercial Keeper	Special	50090(SPEC)

Description

Finish

Part Number

Electric Operators

**INTERLOCK™**

Conel

STANDALONE VERSION



TRADE PACK

**Controls a Single Remote Window (Requires Switch - Not Included)**

Conel Operator + 24DC Transformer	Black	36A-PH2500-BKF
Conel Operator + 24DC Transformer	Pearl White	36A-PH2500-PWF
Conel Operator + 24DC Transformer	Special	36A-PH2500-SPF

KEYPAD VERSION



TRADE PACK

**Controls Up To 4 Operators**

Keypad + 24AC Transformer Pack	36A-E00000-00F
--------------------------------	----------------

*Note: Requires 1 x Keypad + 24AC + 1 x Conel Operator per window.*



Conel Operator for Keypad - 1 Per sash	Black	36A-DH2500-BKF
Conel Operator for Keypad - 1 Per sash	Pearl White	36A-DH2500-PWF
Conel Operator for Keypad - 1 Per sash	Special	36A-DH2500-SPF

CONEL ACCESSORIES



TRADE PACK

Keypad Only, Compatible AC Only	36A-K00000-00F	
24AC Transformer Only - Keypad	36A-T00000-00F	
24DC Transformer Only - Standalone	36A-T0D000-00F	
Electric Rain Sensor, Compatible AC Only	P4577	
Conel Hinge Kit	P4578	
High Profile Pivoting Hinge Kit	Black	36A-PHK000-BKF
High Profile Pivoting Hinge Kit	Special	36A-PHK000-SPF
Wiring Loom	36A-W00000-00F	

Description

Finish

Part Number

Winders

**INTERLOCK™**

Casement Operator

CASEMENT OPERATOR



TRADE PACK		
Right Hand	Black	P4900RHBK
Right Hand	Pearl White	P4900RHPW
Right Hand	Primrose	P4900RHRP
Right Hand	Ranch Brown	P4900RHRBR
Right Hand	Special	P4900RH(SPEC)
Left Hand	Black	P4900LHBK
Left Hand	Pearl White	P4900LHPW
Left Hand	Primrose	P4900LHPR
Left Hand	Ranch Brown	P4900LHRBR
Left Hand	Special	P4900LH(SPEC)

ACCESSORIES



TRADE PACK		
Connector Arm 160mm Right Hand	Stainless Steel	P4642R
Connector Arm 160mm Left Hand	Stainless Steel	P4642L

Description	Finish	Part Number
-------------	--------	-------------

**Single Arm Operator**

**250MM ARM**



TRADE PACK		
Right Hand	Black	P4951RHBK
Right Hand	Pearl White	P4951RHPW
Right Hand	Primrose	P4951RHPR
Right Hand	Ranch Brown	P4951RHRBR
Right Hand	Special	P4951RH(SPEC)
Left Hand	Black	P4951LHBK
Left Hand	Pearl White	P4951LHPW
Left Hand	Primrose	P4951LHPR
Left Hand	Ranch Brown	P4951LHRBR
Left Hand	Special	P4951LH(SPEC)

**Awning Operator**

**300MM ARM**



TRADE PACK		
Left Hand	Black	P4901LHBK
Left Hand	Pearl White	P4901LHPW
Left Hand	Primrose	P4901LHPR
Left Hand	Ranch Brown	P4901LHRBR
Left Hand	Special	P4901LH(SPEC)

Description

Finish

Part Number

## Multi-Point

### **INTERLOCK™**

## Ultimate One

### 2-POINT ONE EDGE



TRADE PACK		
Removable	Black	P9215B
Removable	Special	P9215(SPEC)
Locking	Black	P9216B
Locking	Special	P9216(SPEC)
Non-Locking	Black	P9217B
Non-Locking	Special	P9217(SPEC)

### 3-POINT ONE EDGE



TRADE PACK		
Removable	Black	P9218B
Removable	Special	P9218(SPEC)
Locking	Black	P9219B
Locking	Special	P9219(SPEC)
Non-Locking	Black	P9220B
Non-Locking	Special	P9220(SPEC)

### 4-POINT THREE EDGE



TRADE PACK		
Removable	Black	P9230B
Removable	Special	P9230(SPEC)
Locking	Black	P9231B
Locking	Special	P9231(SPEC)
Non-Locking	Black	P9232B
Non-Locking	Special	P9232(SPEC)

Description	Finish	Part Number
-------------	--------	-------------

Ultimate One continued...

5-POINT THREE EDGE



TRADE PACK		
Removable	Black	P9221B
Removable	Special	P9221(SPEC)
Locking	Black	P9222B
Locking	Special	P9222(SPEC)
Non-Locking	Black	P9223B
Non-Locking	Special	P9223(SPEC)

6-POINT THREE EDGE



TRADE PACK		
Removable	Black	P9224B
Removable	Special	P9224(SPEC)
Locking	Black	P9225B
Locking	Special	P9225(SPEC)
Non-Locking	Black	P9226B
Non-Locking	Special	P9226(SPEC)

HARDWARE (AWNING ONLY)



TRADE PACK		
Long Pivot & Restrictor	Stainless Steel	P9228
Short Pivot & Restrictor	Stainless Steel	P9229

Description	Finish	Part Number
-------------	--------	-------------

Ultimate One continued...

HARDWARE (AWNING ONLY) CONTINUED...



Long Restrictor Only (250mm Arm)	Stainless Steel	P9201
----------------------------------	-----------------	-------



Short Restrictor Only (160mm Arm)	Stainless Steel	P9202
-----------------------------------	-----------------	-------

ACCESSORIES



Snubber Kit	Zinc	P9210
-------------	------	-------

Resolute One

HANDLES



TRADE PACK		
Fixed Locking Face Fix / Right Hand or Vertical Fix / Left Hand		
	Black	8684B
	Pearl White	8684PW
	Primrose	8684PR
	Special	8684(SPEC)



TRADE PACK		
Fixed Locking Face Fix / Left Hand or Vertical Fix / Right Hand		
	Black	8683B
	Pearl White	8683PW
	Primrose	8683PR
	Special	8683(SPEC)

Description	Finish	Part Number
-------------	--------	-------------

Resolute One continued...

HANDLES CONTINUED...



TRADE PACK		
Fixed Non-Lock Face Fix / Right Hand or Vertical Fix / Left Hand		
	Black	8686B
	Pearl White	8686PW
	Primrose	8686PR
	Special	8686(SPEC)



TRADE PACK		
Fixed Non-Lock Face Fix / Left Hand or Vertical Fix / Right Hand		
	Black	8685B
	Pearl White	8685PW
	Primrose	8686PR
	Special	8686(SPEC)



TRADE PACK		
Removable		
	Black	8682B
	Pearl White	8682PW
	Primrose	8682PR
	Special	8682(SPEC)

LOCKING BAR - SHORT ROLLER TO SUIT 14MM CAVITY



TRADE PACK		
300mm Retainer, 2-Pt	Stainless Steel	8631
600mm, 2-Pt	Stainless Steel	8632
900mm, 3-Pt	Stainless Steel	8633
1300mm, 3-Pt	Stainless Steel	8634



Description	Finish	Part Number
-------------	--------	-------------

Resolute One continued...

LOCKING BAR - LONG ROLLER TO SUIT 17MM CAVITY



TRADE PACK		
300mm, 2-Pt	Stainless Steel	8523
600mm, 2-Pt	Stainless Steel	8524
900mm, 3-Pt	Stainless Steel	8525
1300mm, 3-Pt	Stainless Steel	8526

KEEPER



TRADE PACK		
Universal Keeper	Natural	8688/1

# 4B Series Friction Hinges

## Stainless Steel Hinges

INTERLOCK™

ASSA ABLOY



A premier range of 4-bar friction hinges (stays) used for the support and frictional control of projected top hung (PTH) sashes. Manufactured from 304 grade austenitic (non-magnetic) stainless steel, the range caters for the sizes and weights of sashes normally associated with residential or light commercial applications.

### Features

- A comprehensive range to cater for most applications
- Non-handed
- Manufactured with the unique “pull-in” feature
- No sliding channels
- Factory set friction levels mean no on-site adjustment is required
- Fixed directly through the bearing eyelet as well as through the formed screw or rivet holes
- New Zealand made

### Options

- Available in three sizes, designated by the frame plate length, catering for sashes weighing up to 30kg. The selection of which is determined by the sash weight and height (refer chart below)
- Includes specific function models:
  - Non-friction for use with window control mechanisms
  - Reduced friction

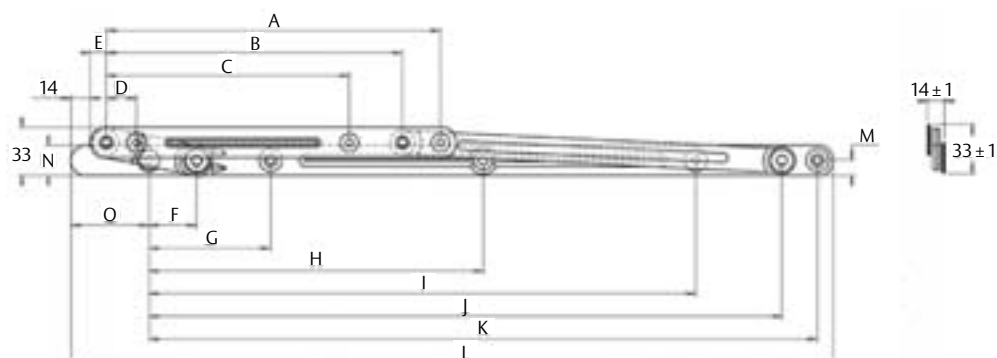


#### Specifications:

Model	Application	Max. Sash Height	Opening Angle	Max. Sash Weight	Product Number
200 4BV	PTH	300mm	40°	8kg	P1001
200 4B	PTH	600mm	40°	10kg	P1002
200 4B NF	PTH	***	40°	10kg	P1002NF
350 4B	PTH	800mm	30°	20kg	P1003
350 4B NF	PTH	***	30°	20kg	P1003NF
500 4B	PTH	1800mm	25°	30kg	P1004
500 4B NF	PTH	***	25°	30kg	P1004NF

(mm)	A	B	C	D	E	F	G	H	I	J	K	L	M	N	O
2004B	80	54.35	-	20	8.5	29.1	-	-	-	134.1	149.7	198.2	8	16	40
3504B	140	113.9	-	20	8.5	28.9	160	-	-	283.9	300	348.5	8	16	40
5004B	220	195	160	20	10.5	31.5	80	220	360	416.6	440	502.5	10	20	52

Note: Letters apply to dimension diagram below.



# 4BC Series Friction Hinges

## Stainless Steel Hinges



A premier range of 4-bar friction hinges (stays) used for the support and frictional control of projecting side hung (PSH) aluminium, timber or uPVC sashes. Manufactured from 304 grade austenitic (non-magnetic) stainless steel, the range caters for the sizes and weights of sashes normally associated with residential or light commercial applications.

### Features

- A comprehensive range to cater for most applications
- Non-handed
- Manufactured with the unique “pull-in” feature
- No sliding channels
- Factory set friction levels thus no on-site adjustment necessary
- New Zealand made

### Options

- Available in four sizes, designated by the frame plate length, catering for sashes weighing up to 40kg. The selection of which is determined by the sash weight and height (refer chart below)
- Non-friction model for use with window control mechanisms.



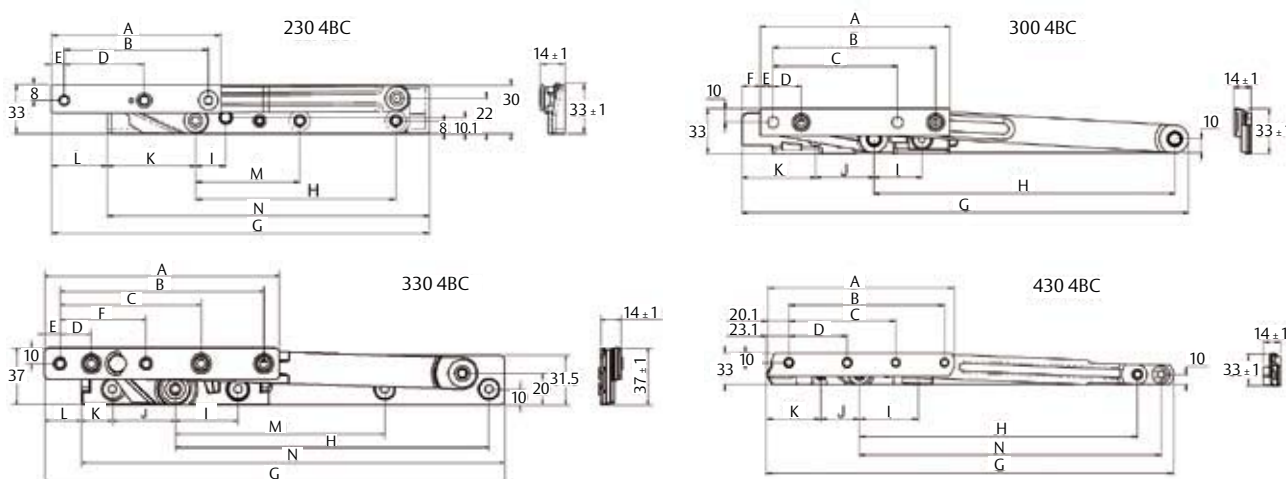
#### Specifications:

Model	Application	Max. Sash Height	Opening Angle	Max. Sash Weight	Product Number
230 4BC	PSH	800mm	90°	25kg	P1090
230 4BC NF	PSH	***	90°	25kg	P1090NF
230 4BC R	PSH	800mm	77°	25kg	P1090R
300 4BC	PSH	750mm	56°	20kg	P1120
330 4BC	PSH	800mm	90°	30kg	12C-NS3300-00F
430 4BC	PSH	1000mm	90°	40kg	P1080
430 4BC NF	PSH	***	90°	40kg	P1080NF
430 4BC SH	PSH	***	90°	40kg	P1080SH

Note: Interlock casement stays are only recommended for use on casement windows where the window height is twice the window width.

(mm)	A	B	C	D	E	F	G	H	I	J	K	L	M	N
230 4BC	106	90	-	50	8	-	236	125	18.9	-	55	34	65	201
300 4BC	139	119	91	21	9	11	325	220	35	43	52	-	-	-
330 4BC	150	130	90	20	10	55	293	200	40	40	20	23	133.5	270
430 4BC	193	160	110	60	-	-	420	285.7	60	40	57	-	-	310

Note: Letters apply to dimension diagram below.



# A Series Friction Hinges

## Aluminium Hinges

**INTERLOCK™**

**ASSA ABLOY**



This complete range of 4-bar friction stays provides support and control of standard weight projected top hung (PTH) sashes. The A-Series friction hinges (stays) are manufactured from extruded aluminium and has no sliding channels.

### Features

- A complete range to cater for most residential applications
- Manufactured with the unique “pull-in” feature
- Black powdercoated finish

### Options

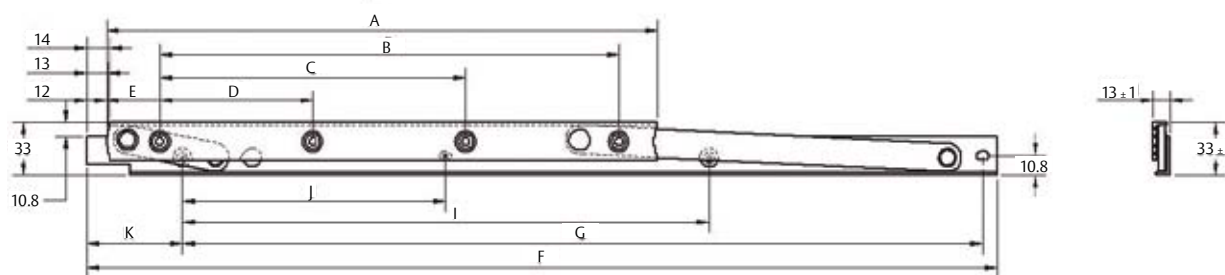
- Available in four sizes to cater for sashes weighing up to 43kg
- Includes specific function models:
  - ‘A’ Full friction
  - ‘V’ Low friction
  - ‘NF’ Non-friction
  - ‘HD A’ Heavy Duty
- Non-friction model for use with window control mechanisms

Model	Application	Max. Sash Height	Opening Angle	Max. Sash Weight	Product Number
230 A	PTH	750mm	45°	6kg	P1560B
230 V	PTH	400mm	45°	4kg	P509B
230 NF	PTH	***	45°	10kg	P1559B
330 A	PTH	1000mm	35°	9kg	P1561B
420HD A	PTH	1800mm	20°	15kg	P1553B
420HD A	PTH	1500mm	20°	20kg	P1553B
420HD A	PTH	1200mm	20°	43kg	P1553B
500 A	PTH	1300mm	27°	12kg	P1530B

Note: Interlock casement stays are only recommended for use on casement windows where the window height is twice the window width.

(mm)	A	B	C	D	E	F	G	H	I	J	K
230 A Stay	110	65	29	-	30	235	172	-	-	55.5	54
330 A Stay	198	158	79	-	30	330	266	-	133	65	54
420 A Stay	228	212	160	52	8	440	390	-	240	90	40
500 A Stay	310	258	172	86	30	512	450	-	296	148	54

Note: Letters apply to dimension diagram below.



# DA32 Series

## Aluminium Hinges



A unique two phase range of 4-bar friction hinges (stays) providing a double operating action for projected top hung (PTH) windows. The first phase allows ventilation whereas the second phase allows the sash to slide into the near horizontal cleaning position. The DA32 double action range is designed to cater for sash weights associated with residential usage up to 18kg.

### Features:

- Unique feature allowing easy access for cleaning top hung sashes
- A complete range to cater for most applications
- Easy to operate press button – automatically resets on closing
- Designed to provide easy and precise installation
- Black powdercoated finish

### Options:

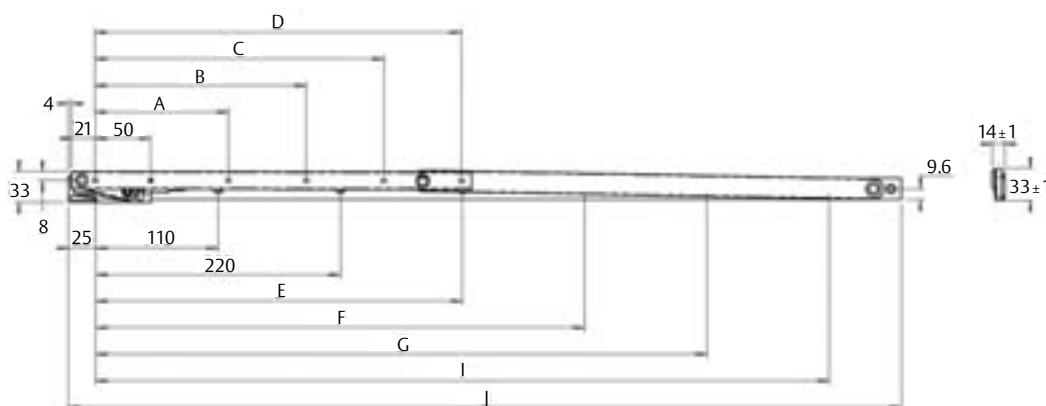
- The DA32 series offers four sizes of double action friction stay:
  - 250mm, 250mm, 550mm, and 750mm
 Stay selection is determined by the sash height and weight (refer chart below).

### Specifications:

Model	Application	Max. Sash Height	Opening Angle	Max. Sash Weight	Product Number
250 DA32	PTH	375mm	38° / 90°	6kg	P290B
350 DA32	PTH	525mm	30° / 90°	9kg	P291B
550 DA32	PTH	825mm	28° / 90°	14kg	P292RH & P292LH
750 DA32	PTH	1125mm	20° / 90°	18kg	P293RH & P293LH

(mm)	A	B	C	D	E	F	G	H	I	J
250 DA32	-	-	-	100	-	-	-	-	220	253
350 DA32	100	-	-	170	-	-	-	-	322	355
550 DA32	100	-	-	240	330	440	-	-	502	535
750 DA32	120	190	260	330	330	440	550	660	716	750

Note: Letters apply to dimension diagram below.



# HD6 Series

## Aluminium Hinges



A complete range of 4-bar friction hinges (stays) providing support and control for commercial weight projected top hung (PTH) and projected side hung (PSH) sashes. The HD6 series friction stays are manufactured from aluminium and has no sliding channels.

### Features:

- A complete range to cater for most heavy-duty commercial applications
- Manufactured with unique “pull-in” feature
- Black powdercoated finish

### Options:

- Available in five sizes to cater for sashes weighing up to 100kg
- Non-friction model for use with window control mechanisms

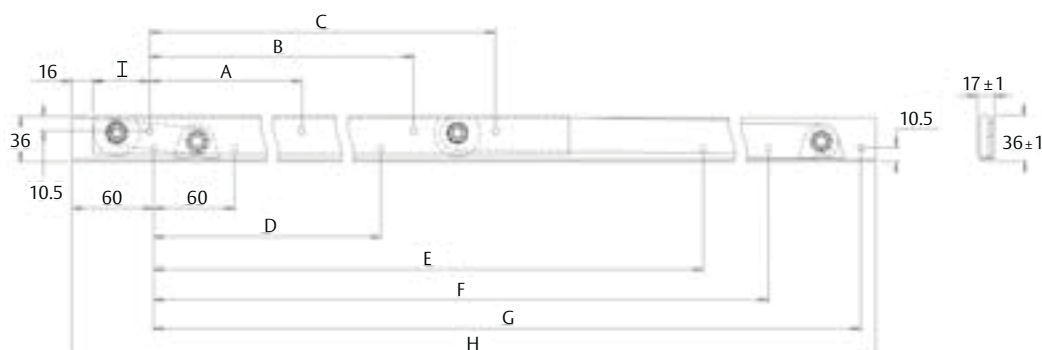
### Specifications:

Model	Application	Max. Sash Height x Weight	Opening Angle	Product Number
300 HD6	PTH	1050mm x 6.5kg	49°	P1532B
300 HD6	PTH	550mm x 18kg	49°	P1532B
300 HD6 + Restrictor	PTH	300mm to 1000mm x 42kg	150mm	P1532B
300 HD6 NF	PTH	Height N/A x 42kg	49°	P567B
450 HD6	PTH	600mm x 21kg	50°	P1533B
600 HD6	PTH	1600mm x 10kg	38°	P1534B
600 HD6	PTH	850mm x 30kg	38°	P1534B
600 HD6 + Restrictor	PTH	1000mm to 1700mm x 71kg	150mm	P1534B
Model	Application	Max. Sash Width	Opening Angle	Product Number
450 HD6	PSH	800mm x 40kg	50°	P1533B

Note: Interlock casement stays are only recommended for use on casement windows where the window height is twice the window width.

(mm)	A	B	C	D	E	F	G	H	I
<b>300 HD6</b>	47	-	97	202	-	-	262	330	42
<b>450HD6</b>	74	-	134	191	322	-	382	450	42
<b>600HD6</b>	80	160	240	196	332	468	528	600	40

Note: Letters apply to the dimensions diagram below



# Safety Stays

## Stainless Steel Window Restrictor

INTERLOCK™

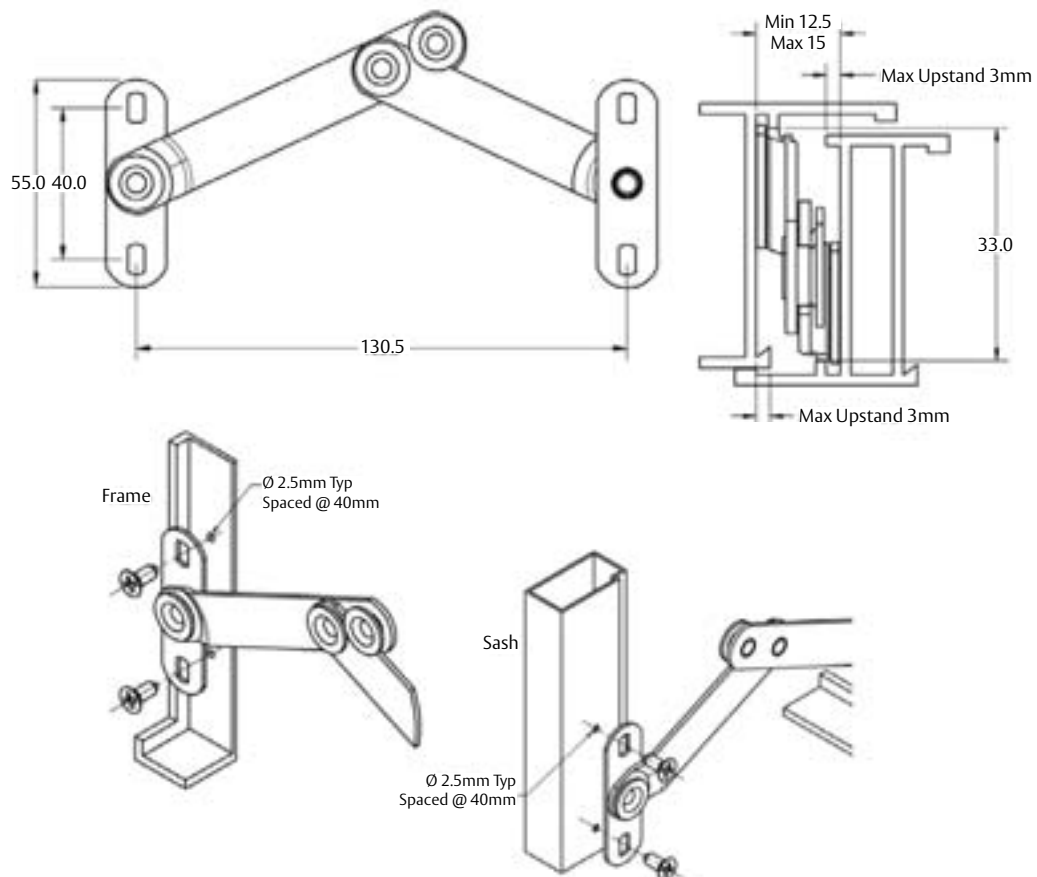
ASSA ABLOY



With operator safety in mind the Safety Stay offers a non-releasable restrictor for awning and casement windows. Fitted unobtrusively into the window cavity, the Safety Stay is not visible when the window is closed. The Safety Stay allows ventilation with a degree of security, plus child safety – particularly in multi-storey situations.

### Features:

- The stainless steel scissor arm limits the opening to a maximum of 100mm when installed in the recommended position, helping prevent falling
- Manufactured from non-corrosive 304 austenitic stainless steel
- Designed to be installed within a window cavity of 33mm width and ranging from 12.5mm to 15mm height
- Can be screwed or riveted through the bearing eyelets for strong fixing
- Restricts the sash opening in order to avoid interference with foot traffic in ground level or walk-by situations
- Safety Stays provide a means of controlling open sashes in high windows or when restriction of large or heavy sashes is desired for safety reasons



ASSA ABLOY New Zealand Ltd.  
PO Box 100407, North Shore  
North Shore City 0745

6 Armstrong Road, Albany  
North Shore City 0632  
New Zealand

Within New Zealand:  
Tel 09 415 8031  
Fax 0800 478 297  
[www.assaabloy.co.nz](http://www.assaabloy.co.nz)

Outside New Zealand:  
Tel +64 9 921 7630  
Fax +64 9 921 6504  
[www.assaabloy.co.nz](http://www.assaabloy.co.nz)

ASSA ABLOY, the global leader  
in door opening solutions.

RES-FEY-040-04-10NZ

# Casement Restrictor Stays

## Stainless Steel Window Restrictor

INTERLOCK™

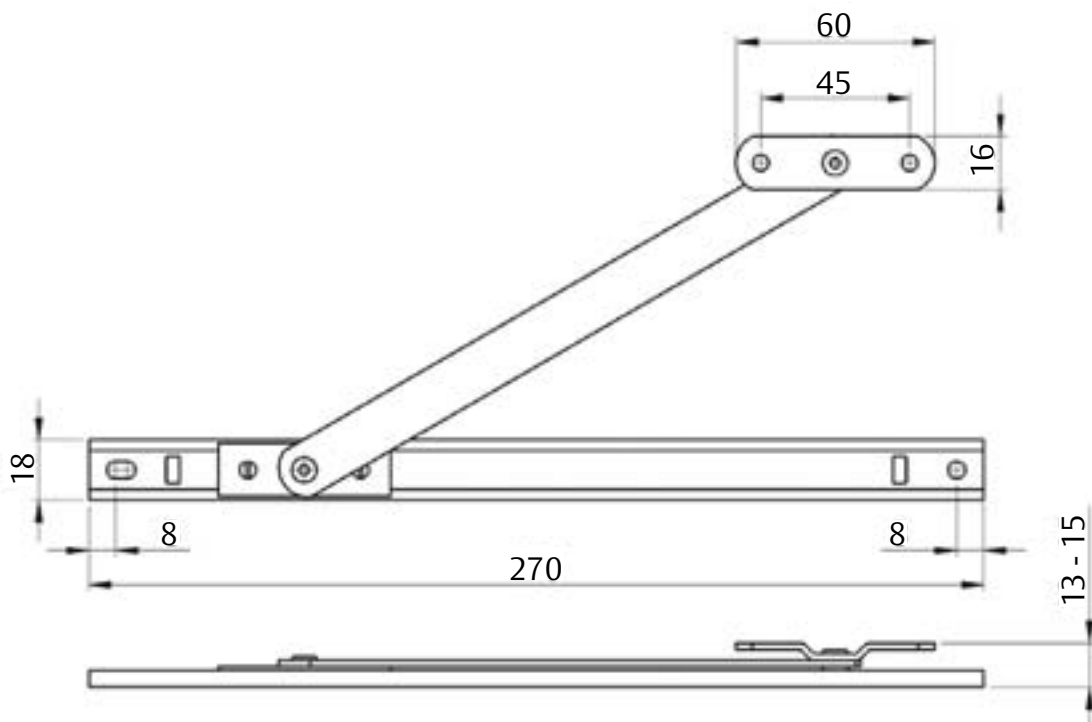
ASSA ABLOY



With operator safety in mind, Casement Restrictor Stays offer a non-releasable restrictor for casement windows. The Casement Restrictor Stay allows ventilation with a degree of security – particularly in multi-storey situations.

### Features:

- The Casement Restrictor is 270mm in length
- Smooth operation using a plastic carriage manufactured from nylon
- Manufactured from premium grade stainless steel
- Can be used in conjunction with a friction hinge, butt hinge or continuous hinge
- Can also be used as a friction adjustor
- The restrictor is invisible when the window is closed as it is installed in the cavity





# Aria Venting Wedgeless Window Fastener

**INTERLOCK™**  
**ASSA ABLOY**

ASSA ABLOY, the global leader  
in door opening solutions.



The Aria Venting Wedgeless Fastener is both unique and innovative. Created with opposing tongues, the fastener allows controlled ventilation especially in windy conditions. The wedgeless and concealed fixing design was developed with the end user and fabricator in mind, as it enables easy installation, simple product operation and improves aesthetics. Suitable for use on either aluminium or uPVC, casement or awning windows.

## Features

- Concealed fixing
- Wedgeless design
- High quality pressure die-cast main body with colour-matched injection moulded integrated nylon wedge
- 6mm, face fixing fastener
- Quality Interlock friction joint providing tested and proven durability
- Opposing tongue allows for one smooth motion from closed to venting position
- New Zealand made

## Options

- Left and right-handed models available
- Available in a wide range of powdercoat colours and satin chrome finish



# Aria Venting Wedgeless

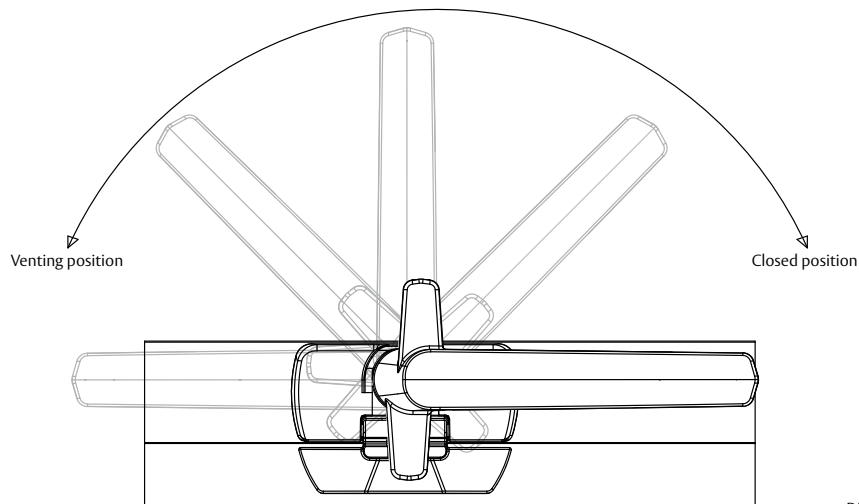
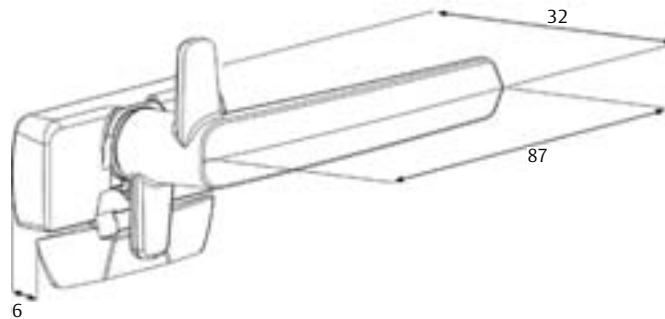
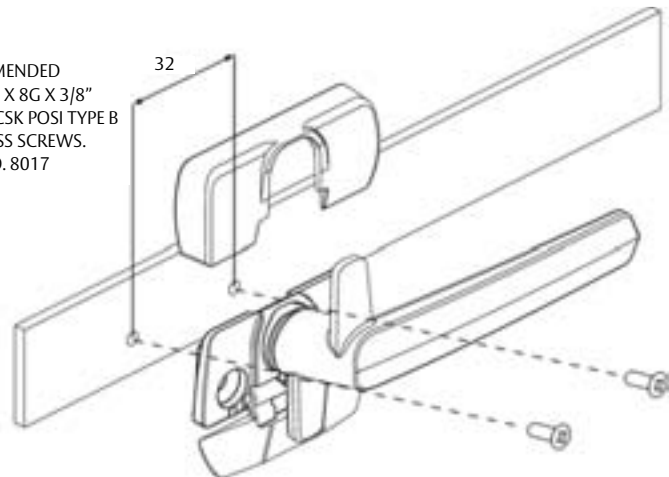
## Window Fastener

**INTERLOCK™**

**ASSA ABLOY**



RECOMMENDED  
FIXING 2 X 8G X 3/8"  
RAISED CSK POSI TYPE B  
STAINLESS SCREWS.  
PART NO. 8017



Right handed fastener example

ASSA ABLOY New Zealand Ltd.  
PO Box 100407, North Shore  
North Shore City 0745

6 Armstrong Road, Albany  
North Shore City 0632  
New Zealand

Within New Zealand:  
Tel 09 415 8031  
Fax 0800 478 297  
[www.assaabloy.co.nz](http://www.assaabloy.co.nz)

Outside New Zealand:  
Tel +64 9 921 7630  
Fax +64 9 921 6504  
[www.assaabloy.co.nz](http://www.assaabloy.co.nz)

ASSA ABLOY, the global leader  
in door opening solutions.

RES-FLY-003-04-10NZ

# Aria Low Profile Confix Window Fastener

**INTERLOCK™**  
**ASSA ABLOY**

ASSA ABLOY, the global leader  
in door opening solutions.



This sleek new handle has a low profile design suited to bi-pass situations, where a sliding door would pass in front of a window. The Confix can also be used as a more subtle alternative throughout the home. It blends seamlessly with the full range of Aria furniture, to create a modern and consistent look. It can be used on either aluminium or uPVC, casement or awning windows.

## Features

- Low profile
- Concealed fixing
- Wedgeless design
- Face fixing
- High quality pressure die-cast main body with colour-matched injection moulded integrated nylon wedge
- Quality Interlock friction joint providing tested and proven durability
- New Zealand made

## Options

- Left and right-handed models available
- Available in a wide range of powdercoat colours and satin chrome finish

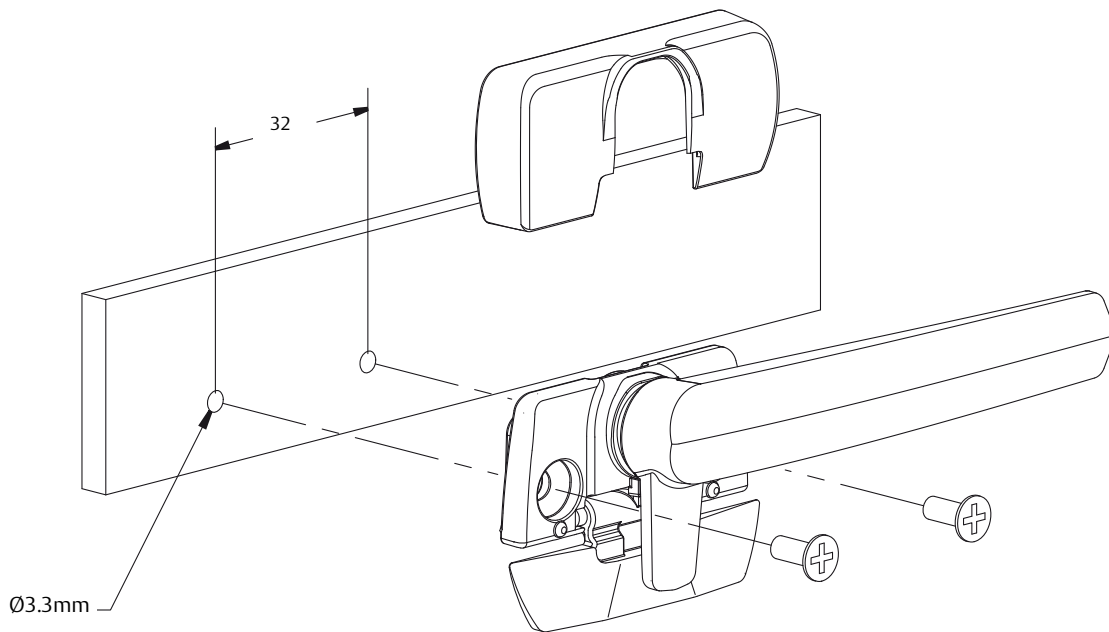
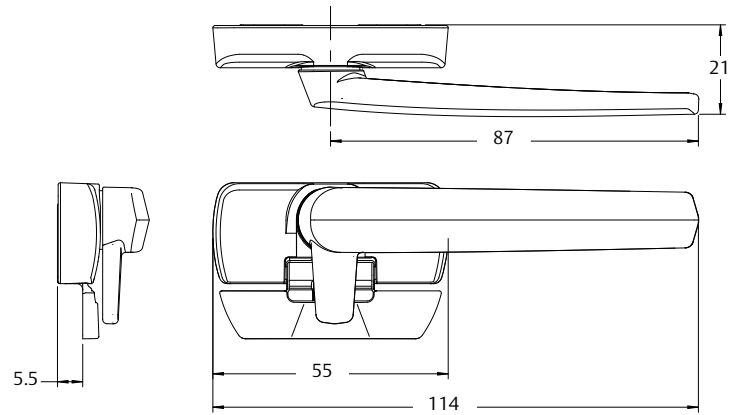


# Aria Low Profile Confix

## Window Fastener

**INTERLOCK™**

**ASSA ABLOY**



RES-ELY-017 04-10NZ

ASSA ABLOY New Zealand Ltd.  
PO Box 100407, North Shore  
North Shore City 0745

6 Armstrong Road, Albany  
North Shore City 0632  
New Zealand

Within New Zealand:  
Tel 09 415 8031  
Fax 0800 478 297  
[www.assaabloy.co.nz](http://www.assaabloy.co.nz)

Outside New Zealand:  
Tel +64 9 921 7630  
Fax +64 9 921 6504  
[www.assaabloy.co.nz](http://www.assaabloy.co.nz)

ASSA ABLOY, the global leader  
in door opening solutions.

# Aria Wedgeless Window Fastener

**INTERLOCK™**  
**ASSA ABLOY**

ASSA ABLOY, the global leader in door opening solutions.



With its innovative wedgeless design this quality window fastener from ASSA ABLOY has the styling features of Aria and complements modern joinery. Designed in high and low profile options, this fastener covers a range of applications, from the awning window in a kitchen to the window that sits behind an open sliding door. This fastener can also be matched to other products throughout your home such as a venting window fastener or even your door handle simply by using the same Aria styled fastener.

## Features

- This easy to install and operate window fastener combines innovation and simplicity with style
- High quality pressure die-cast main body with colour-matched injection moulded integrated nylon wedge
- Quality Interlock friction joint providing tested and proven durability
- Smooth solid handle with modern styling
- Available with 6mm backset (frame upstand to sash face)
- New Zealand made

## Options

- High profile and low profile available (for use in by-pass situations)
- Left and right-handed models available
- Available in a wide range of powdercoat colours and satin chrome finish



# Aria Wedgeless

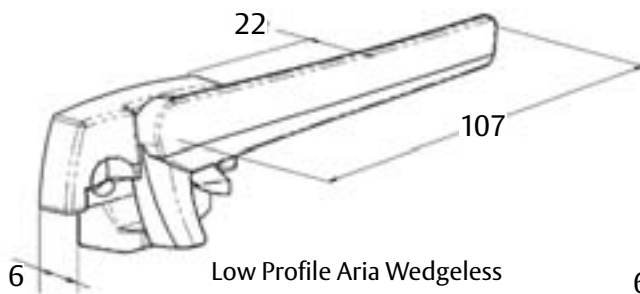
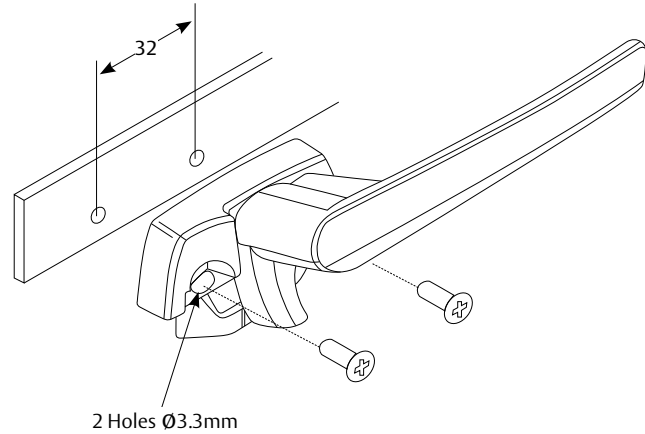
## Window Fastener

**INTERLOCK™**

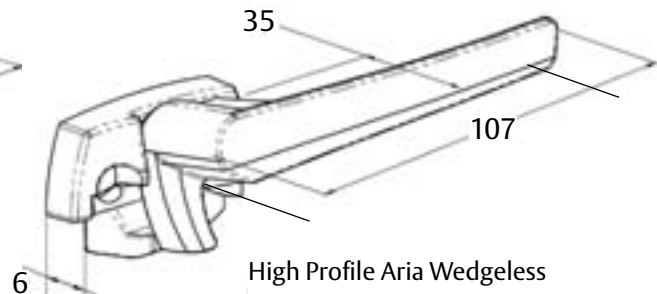
**ASSA ABLOY**



RECOMMENDED FIXING  
2 X 8G X 3/8" RAISED CSK POSI  
TYPE B STAINLESS SCREWS  
PART NO 8017



Low Profile Aria Wedgeless



High Profile Aria Wedgeless



# Wedgeless Window Fastener

INTERLOCK™

ASSA ABLOY

ASSA ABLOY, the global leader  
in door opening solutions.



A unique window fastener that has the 'wedge' incorporated as a folding flap attached to the base of the handle. This innovative quality window fastener from ASSA ABLOY is for use with aluminium or uPVC windows.

## Features

- This easy to install and operate window fastener combines innovation with simplicity
- High quality pressure die-cast main body with colour-matched injection moulded integrated nylon wedge
- The Wedgeless has a handle length of 93mm
- New Zealand made

## Options

- High and low profile available
- Low profile can be used in by-pass situations
- Available in a wide range of powdercoat colours



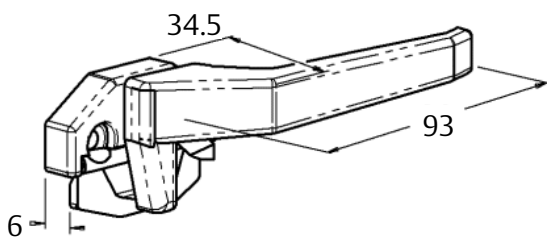
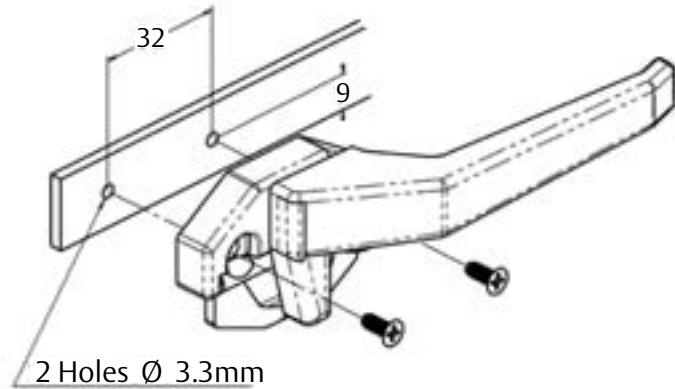
# Wedgeless

## Window Fastener

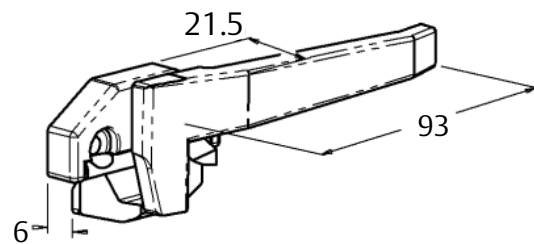
**INTERLOCK™**  
**ASSA ABLOY**



RECOMMENDED FIXING  
2 X 8G X 3/8" RAISED CSK POSI  
TYPE B STAINLESS SCREWS  
PART No 8017



High Profile Wedgeless



Low Profile Wedgeless



# Wedgeless Deluxe Window Fastener

**INTERLOCK™**  
**ASSA ABLOY**

ASSA ABLOY, the global leader  
in door opening solutions.



A unique window fastener that has the 'wedge' incorporated as a folding flap attached to the base of the handle and incorporates a push button locking option. This innovative quality window fastener from ASSA ABLOY is for use with aluminium or uPVC windows.

## Features

- This easy to install and operate window fastener combines innovation with simplicity
- Wedgeless Deluxe utilises a push button, cylinder locking option
- High quality pressure die-cast main body with colour-matched injection moulded integrated nylon wedge
- Wedgeless Deluxe has a longer handle length of 107mm
- New Zealand made

## Options

- Available in a wide range of powdercoat colours



# Wedgeless Deluxe

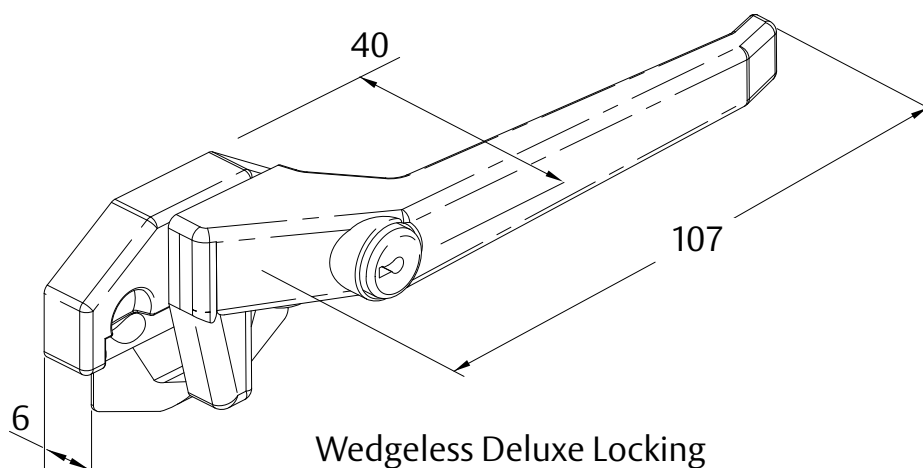
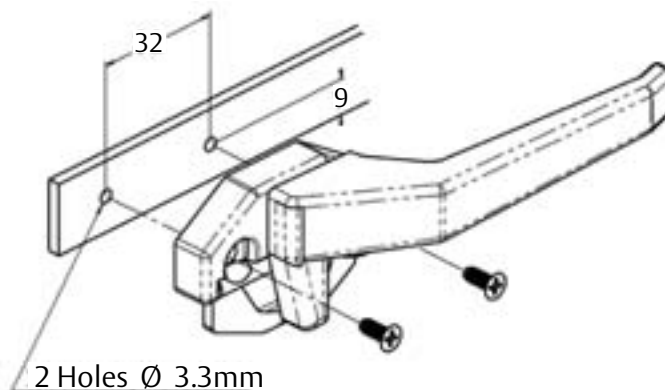
## Window Fastener

**INTERLOCK™**

**ASSA ABLOY**



RECOMMENDED FIXING  
2 X 8G X 3/8" RAISED CSK POSI  
TYPE B STAINLESS SCREWS  
PART No 8017



# Avon Window Fastener

INTERLOCK™

ASSA ABLOY

ASSA ABLOY, the global leader  
in door opening solutions.



A stylish window fastener available in locking or non-locking design. For use with aluminium or uPVC windows. The popular fastener incorporates smooth contemporary styling, and offers extra security with locking option.

## Features

- The Avon handle incorporates a 4-hole fixed base with screw covers to conceal fixing for aesthetics
- Stylish design
- Strong zinc die-cast construction
- New Zealand made

## Options

- Left and right-handed models available
- Locking or non-locking design
- Available with 9mm or 13mm backset
- Available in a wide range of powdercoat colours and satin chrome finish

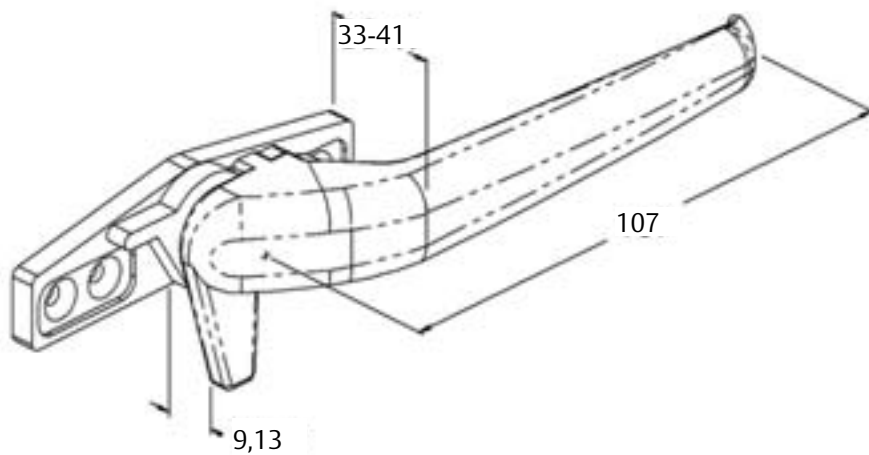
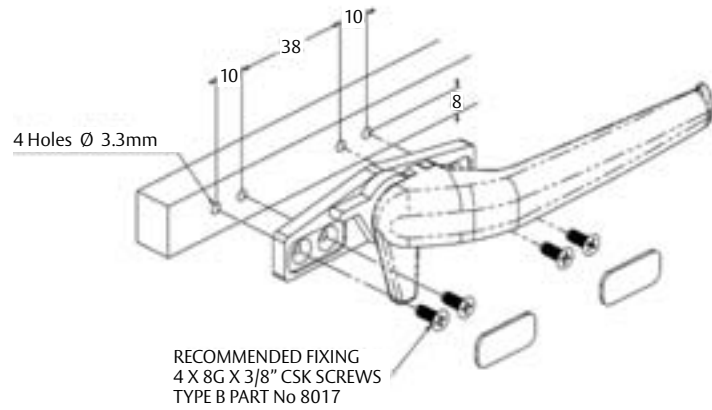


# Avon

## Window Fastener

**INTERLOCK™**

**ASSA ABLOY**





# Avon Timber Window Fastener

**INTERLOCK™**  
**ASSA ABLOY**

ASSA ABLOY, the global leader  
in door opening solutions.



The Avon Window Fastener has been designed for use with timber framing. A strong fastener that offers extra security with its unique lockable option. The Avon is supplied complete with a tongue and keeper arrangement specifically designed to allow ventilation through the split-rail wedge.

## Features

- Robust design
- Split-rail wedge allows for safer ventilation
- Offset fixing screw location helps avoid splitting of the timber
- Strong zinc die-cast construction
- Pushbutton locking option for added security
- Available with 17mm backset
- New Zealand made

## Options

- Left and right-handed models available
- Locking or non-locking design
- Different plating options
- Available in a wide range of powdercoat colours and plated finishes

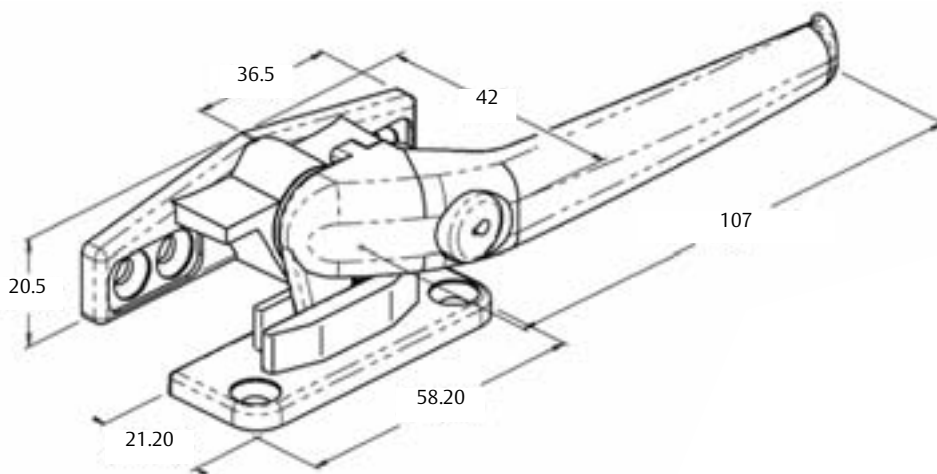
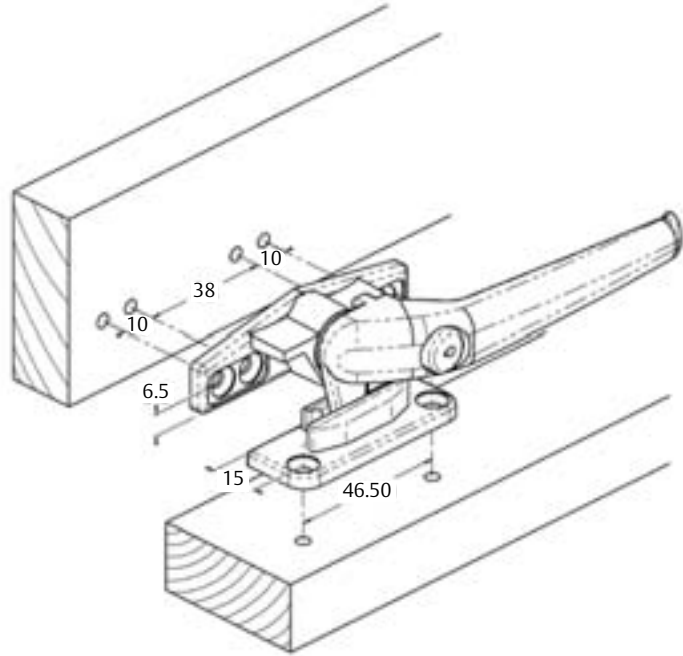


# Avon Timber

## Window Fastener

**INTERLOCK™**

**ASSA ABLOY**



ASSA ABLOY New Zealand Ltd.  
PO Box 100407, North Shore  
North Shore City 0745

6 Armstrong Road, Albany  
North Shore City 0632  
New Zealand

Within New Zealand:  
Tel 09 415 8031  
Fax 0800 478 297  
[www.assaabloy.co.nz](http://www.assaabloy.co.nz)

Outside New Zealand:  
Tel +64 9 921 7630  
Fax +64 9 921 6504  
[www.assaabloy.co.nz](http://www.assaabloy.co.nz)

ASSA ABLOY, the global leader  
in door opening solutions.

RES-FLY-009 07 09NZ

# Styleline 2 / Slimline 2 Window Fastener

**INTERLOCK™**  
**ASSA ABLOY**

ASSA ABLOY, the global leader  
in door opening solutions.



Designed specifically in line with leading architectural innovations, ASSA ABLOY has developed a range of reliable and robust window fasteners. The simple styling and unobtrusive lines of the Styleline 2 and Slimline 2 make an attractive range of fasteners.

## Features

- Designed for use with either aluminium, uPVC or timber, awning or casement windows
- Slimline 2 is a low profile fastener for use in by-pass situations
- New Zealand made

## Options

- Left and right-handed non-locking models available
- Styleline 2 is available in single or double tongue models
- Available in a wide range of powdercoat colours



# Styleline 2 / Slimline 2

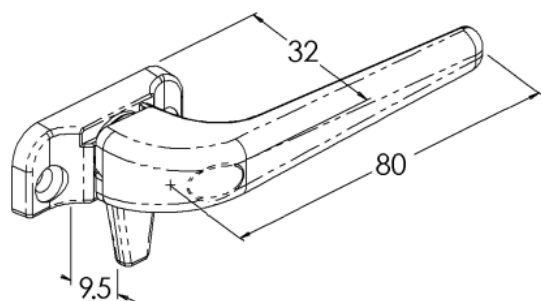
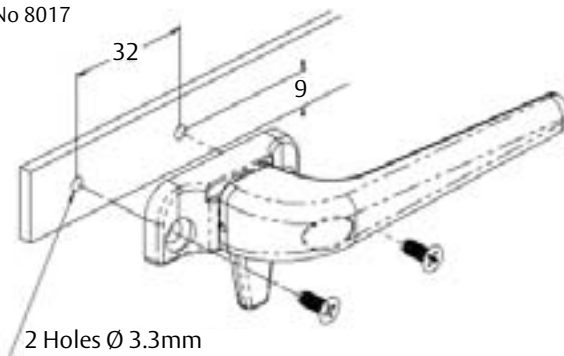
## Window Fastener

INTERLOCK™

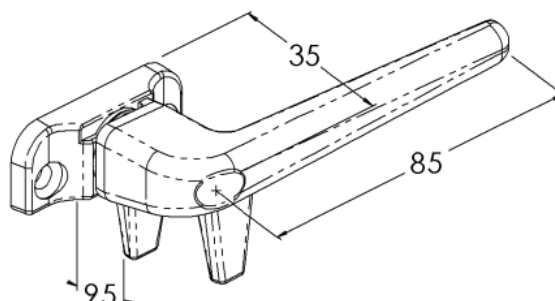
ASSA ABLOY



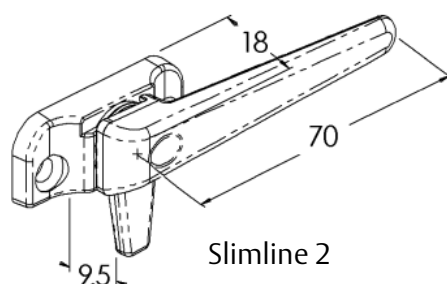
RECOMMENDED FIXING  
2 x 8g x 3/8" RAISED CSK  
TYPE B PART No 8017



Styleline 2 -  
Standard



Styleline 2 -  
Double tongue



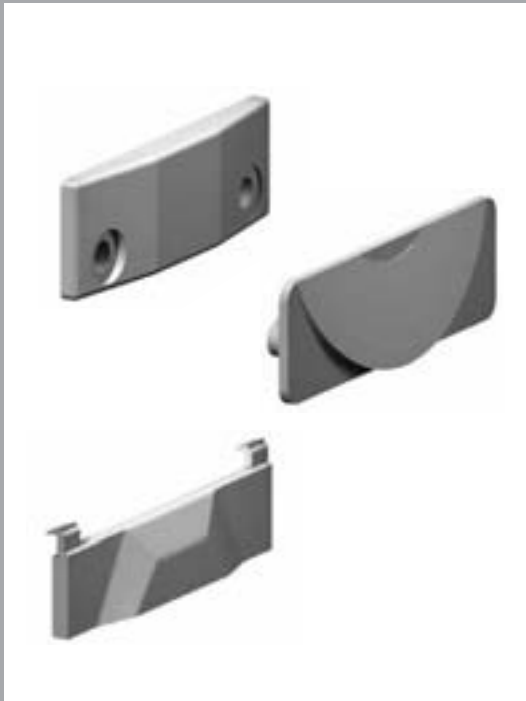
Slimline 2

**Note:** the double tongue option should not be used as a security device.  
It is not recommended to leave the windows on the double tongue whilst the premises are unattended



# Wedges

## Additional Fastener Components



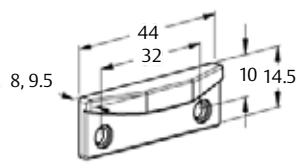
ASSA ABLOY's wide range of wedges work in conjunction with the window fasteners to ensure a tight seal between the window sash and the window frame. All conventional window fasteners require a wedge to be fitted to the window frame, providing a surface for the tongue of the window fastener to compress and seal for a watertight window.

### Features

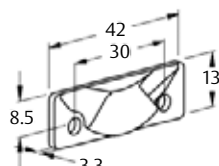
- Manufactured from high quality nylon to provide a long life and low friction wedging action
- Design options offer ease of installation along with neat appearance

### Options

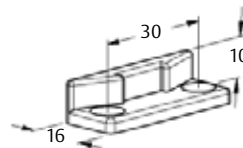
- Rivet fix
- Pin fix
- Adhesive fix
- A range of colours (in some models) available to suit the joinery
- Various thicknesses available
- New Zealand made



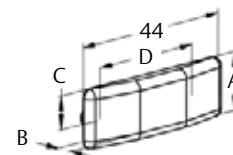
Product No.'s  
2651, 2671



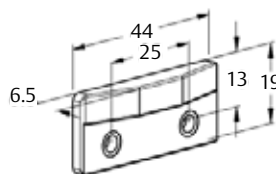
Product No.  
8712



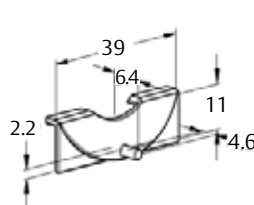
Product No.  
505



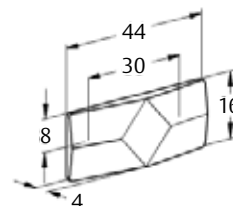
Product No.'s	A	B	C	D
2611	13	3.5	5.5	30
2612	11	3.5	5.5	30
2661	14	4.2	6.0	30
2692	15	7.8	4.0	25



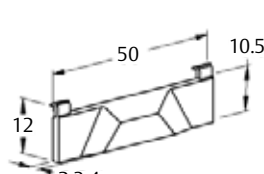
Product No.  
2694



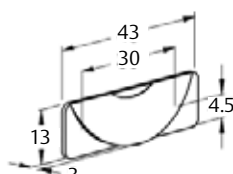
Product No.  
8710



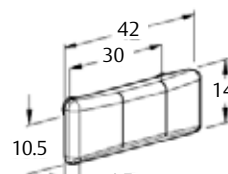
Product No.  
2631



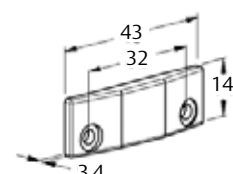
Product No.'s  
8714, 8713, 2695



Product No.  
8711



Product No.'s  
2693, 2641



Product No.'s  
2682, 2621

# Conel Electric Operator

**INTERLOCK™**  
**ASSA ABLOY**

ASSA ABLOY, the global leader  
in door opening solutions.



The Conel operator is a purpose designed electronic window control system providing ventilation for remote windows. The slim design of the operator blends in with the surrounding joinery. Up to four operators can be linked to one conveniently located keypad.

## Features

- Slim appearance and colour-matching means that the Conel operator is less obtrusive
- The design is such that the operator could be easily concealed within the joinery itself
- The 24V motor provides smooth operation of hard-to-reach windows
- One operator per window
- New Zealand made

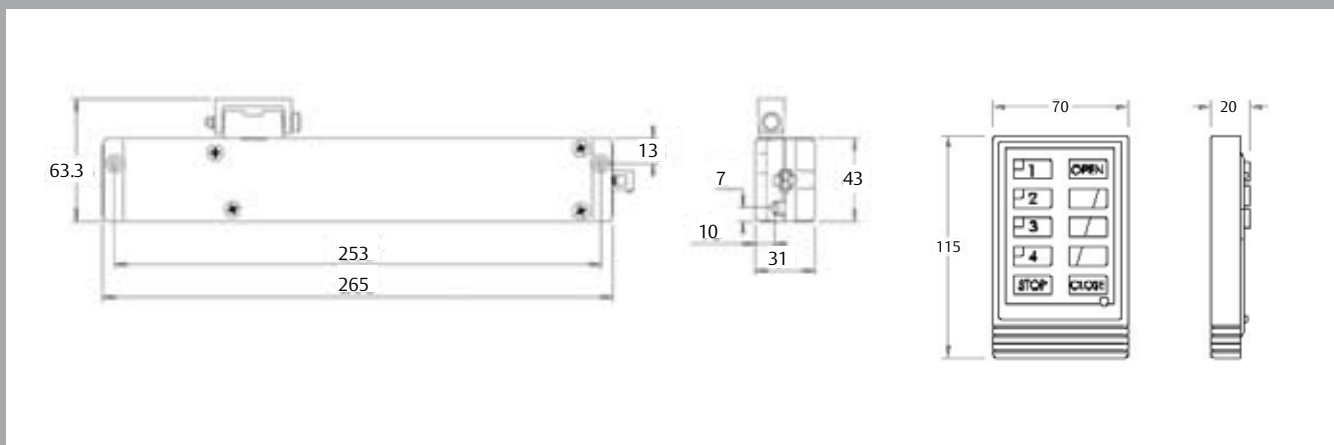
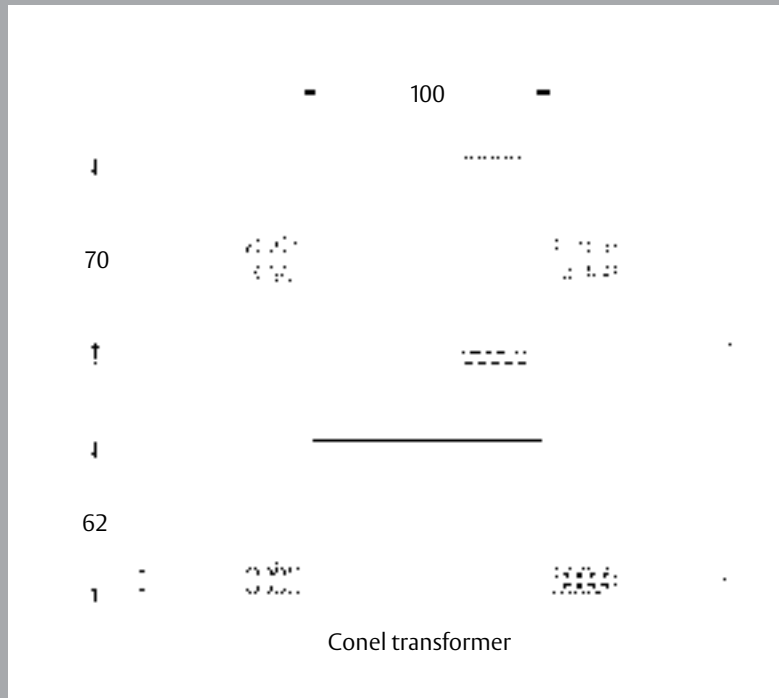
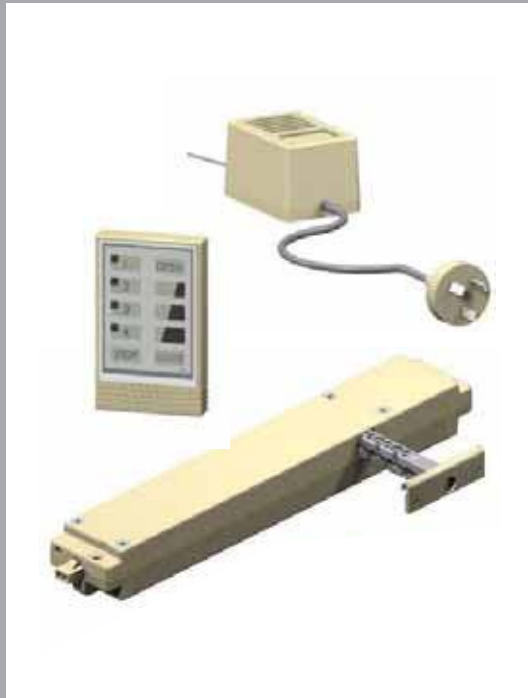
## Options

- **Keypad** – controls up to four operators to preset opening distances with the touch of a finger tip
- The Keypad Operator allows a rain sensor accessory to be added - one per keypad
- **Standalone Operator** – designed to control a single remote window with a simple on/off switch
- Able to be used where there is an electronic control system
- The stroke length of the standalone model can be set to either 150mm or 250mm combined with an electronic control system

# Conel

## Electric Operator

**INTERLOCK™**  
**ASSA ABLOY**



### Recommended Maximum Sash Heights, Widths and Weights

Application	Open angle	Maximum weight (kg)	Minimum Sash Width	Maximum Sash Height	Minimum Sash Height	Maximum Sash Width
Casement	N/A	50	400mm	900mm	N/A	N/A
Awning	Up to 20°	50	N/A	N/A	400mm	900mm
	20° to 30°	40	N/A	N/A	400mm	900mm
	30° to 40°	35	N/A	N/A	400mm	900mm

For Roof Window applications it is recommended that an Interlock Skylight Operator be used

Note: - Conel operators are only to be used on windows with hinges or non-friction stays  
- The standalone and keypad operators cannot be interchanged as the internal components are different

# Casement Operator

## Winder

INTERLOCK™

ASSA ABLOY



Right Hand Illustrated

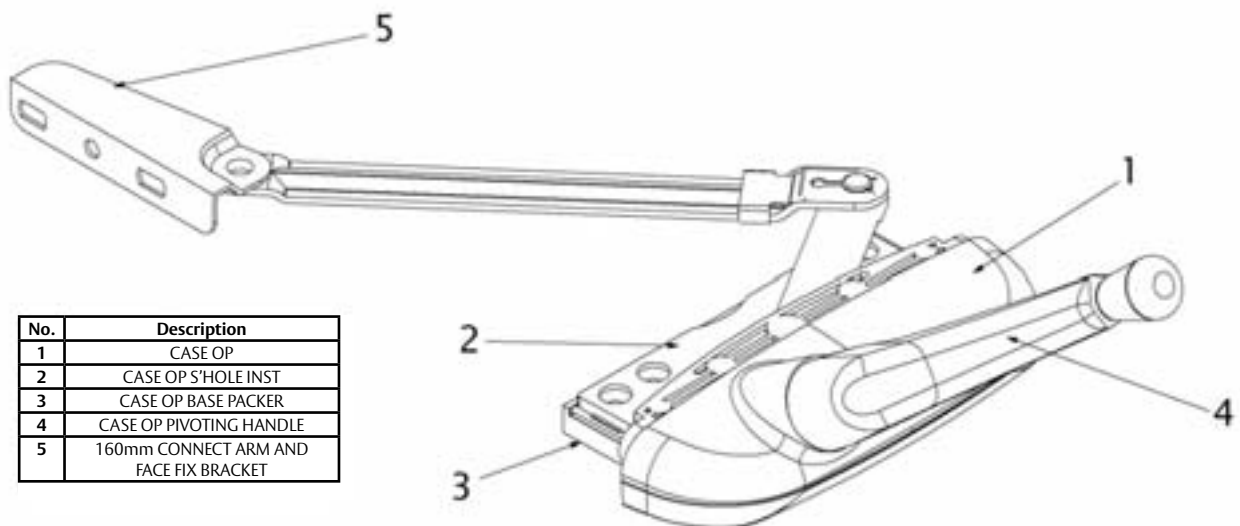
The Casement Operator conveniently controls a casement window weighing up to 30kg and 915mm wide from the closed position to the fully open (90°) position where the window is hinged on 2-bar or 4-bar stays. Produced from corrosion resistant materials, the 304 grade (non-magnetic) stainless steel connect arm incorporates a spring clip that disconnects the operator for ease of maintenance. Where positive seal compression is required, use of a window fastener is recommended.

### Features:

- Easy to install with a minimum of routing required
- The adjustable connect arm option allows on-site fine adjustment to be carried out
- A smooth and quiet nine-turn operator
- The control handle has a unique pivoting action that allows the handle to be folded flat in a parked position at any sash open angle
- New Zealand made

### Options:

- Available in left-hand or right-hand options
- 160mm connect arm ordered separately
- Available in a wide range of powdercoat colours



No.	Description
1	CASE OP
2	CASE OP S'HOLE INST
3	CASE OP BASE PACKER
4	CASE OP PIVOTING HANDLE
5	160mm CONNECT ARM AND FACE FIX BRACKET

# Single Arm Operator

## Winder

INTERLOCK™

ASSA ABLOY



The Single Arm Operator conveniently controls awning or casement windows fitted with 2-bar stays or butt hinges or awning windows fitted with projected 4-bar stays. The Single Arm Operator controls the opening sash by means of the connecting arm and a sliding track. Where positive seal compression is required, use of a window fastener is recommended.

### Features:

- Easy to install with a minimum of routing required
- Supplied with a 350mm long face fixing track
- A smooth and quiet nine-turn operator
- The control handle has a unique pivoting action that allows the handle to be folded flat in a parked position at any sash open angle
- New Zealand made

### Options:

- Available in left-hand or right-hand options
- Available in a wide range of powdercoat colours

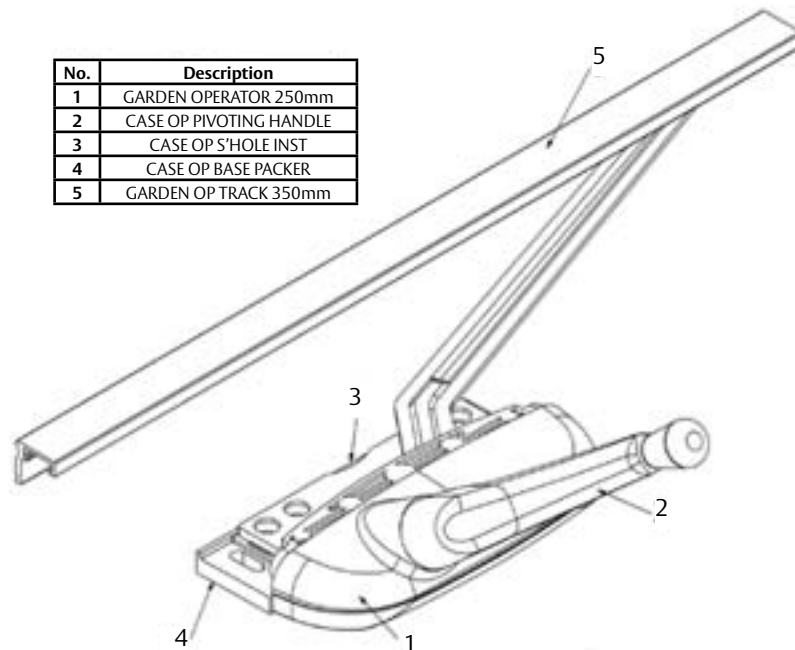


### Specifications:

Application	Min. Height	Min. Width	Max. Height	Max. Width
Awning	600mm	600mm	N/A	900mm
Casement 2-Bar Stay	***	450mm	***	600mm
Casement Butt Hinge	N/A	400mm	***	750mm

\* Note: A sash height to width ratio may apply, check stay specifications.

No.	Description
1	GARDEN OPERATOR 250mm
2	CASE OP PIVOTING HANDLE
3	CASE OP S'HOLE INST
4	CASE OP BASE PACKER
5	GARDEN OP TRACK 350mm



# Awning Operator

## Winder

INTERLOCK™

ASSA ABLOY



The Awning Operator is designed for use with awning window sashes with a minimum sash height of 450mm and a minimum sash width of 600mm. The Awning Operator will control the sash from the closed to fully open position. Where positive seal compression is required, use of a window fastener is recommended.

### Features:

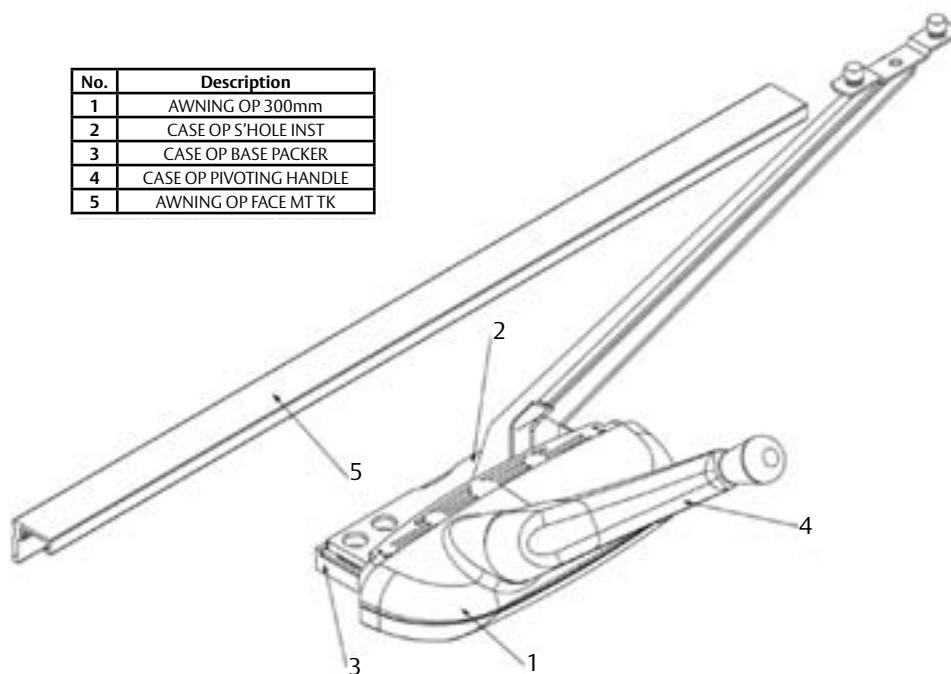
- Easy to install with a minimum of routing required
- A smooth quiet nine-turn operator
- The awning operator controls the sash opening by means of a sliding track made available in face fix mounting
- The control handle has a unique pivoting action that allows the handle to be folded flat in a parked position at any sash open angle
- New Zealand made

### Options:

- Available in left hand only
- Available in a wide range of powdercoat colours



No.	Description
1	AWNING OP 300mm
2	CASE OP S'HOLE INST
3	CASE OP BASE PACKER
4	CASE OP PIVOTING HANDLE
5	AWNING OP FACE MT TK





# Ultimate One

## Multi-Point



The Ultimate One has been developed for commercial applications, providing an unmovable resistance to suction from negative pressure using a C-Groove system. Perfect in extreme weather or high pressure situations, the Ultimate One provides a safe, secure and reliable aluminium window locking option.

The components of the Ultimate One curtain walling system have been developed to support each other in controlling opening vents weighing up to 150kg.

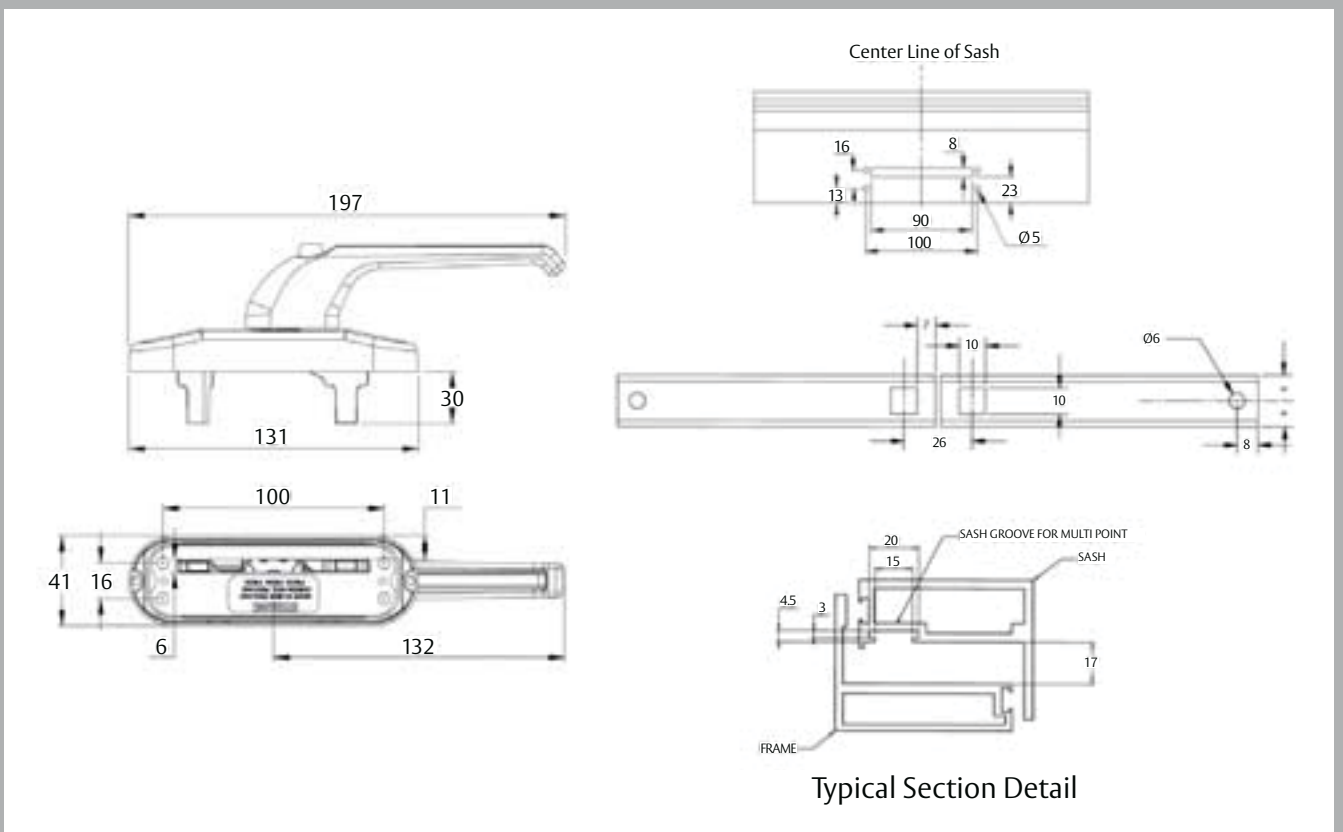
### Features:

- With just one control handle, the vent is secured on three sides through the bi-parting rack and pinion mechanism operating the multi-point lock
- Designed to suit industry standard C-Groove
- New Zealand made

### Options:

- Locking, non-locking and removable handle options are all available
- Locking can be 2 or 3-point on one window edge or 4 to 6-point for three edges
- Ultimate One can be used as just a multi-point locking kit or a complete curtain walling hardware package when combined with pivot and restrictor kit
- Snubber kits are available for high pressure applications
- Note: Actuator bars are required but not included in the Ultimate One system supplied

Note: Due to the nature of the Ultimate One curtain walling hardware, and the vast number of variables that need to be considered when recommending hardware for use with such large heavy sashes, ASSA ABLOY wishes to treat each enquiry on a case-by-case basis. Upon receipt of the project specification, ASSA ABLOY will provide a product recommendation and a customer installation drawing for each project.



# Resolute One

## Multi-Point



The concealed multiple locking system which offers an effective and appealing window locking solution where more than one locking point is required. The versatile design enables the Resolute One to be adapted to window sash designs whether structurally glazed or constructed with the use of an external glazing bead.

### Features:

- The Resolute One handle incorporates a 4-hole fixed base with screw covers to enhance its aesthetic appeal
- With minimal routing required, the design of Resolute One is easily installed
- The keeper and raised retainer arrangement creates a unique self-alignment feature which insures that the sash is in the correct position before locking
- The solid stainless steel lock pin offers a high resistance to external negative pressure
- The locking bar is manufactured from 304 grade austenitic (non-magnetic) stainless steel
- New Zealand made

### Options:

- Locking, non-locking and removable handle options are all available
- Locking bar options:
  - 300mm 2-Point Locking
  - 600mm 2-Point Locking
  - 900mm 3-Point Locking
  - 1300mm 3-Point Locking

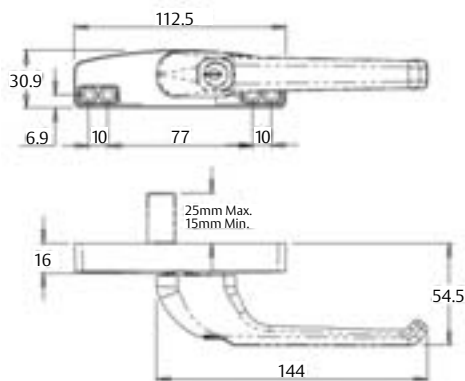
Note: When ordering Resolute One, each window requires:

- One Handle (Tongue length: max 25mm, min 15mm)
- One Locking Bar (Includes retainers and screws. Tab length: max 19mm, min 0mm)
- Keepers (2 required for 300mm and 600mm locking bars; 3 required for 900mm and 1300mm locking bars)

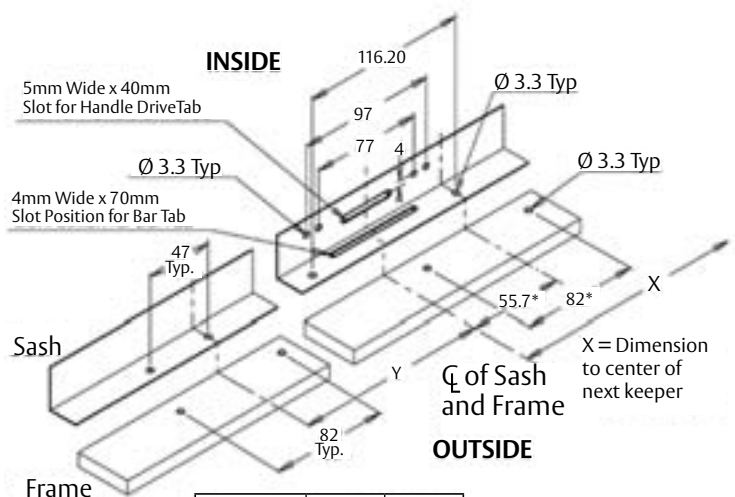
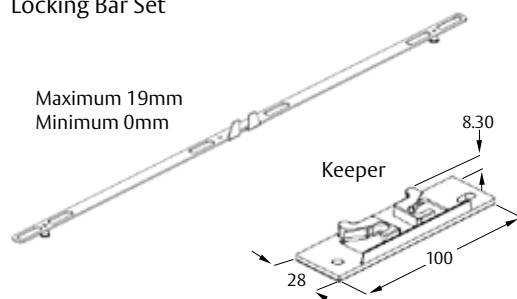
Due to the nature of the Resolute One and the vast number of variables, ASSA ABLOY recommends that the customer discuss the application prior to ordering.



### Handle Set



### Locking Bar Set



	X	Y
300mm Bar	171.3	128.7
600mm Bar	321.3	278.7
900mm Bar	471.5	428.5
1300mm Bar	671.5	628.5

\* These Details are not required for 300 and 600mm bars





# SECTION C

ROOF WINDOW HARDWARE

ROOF WINDOW  
HARDWARE



**SECTION C ROOF WINDOW HARDWARE**

PAGE NUMBER

**Electric Operators****1**

Skyop Operator Electronic

1

**Manual Operators****2**

Skyop Operator Manual

2

Description

Finish

Part Number

Electric Operators

**INTERLOCK™**

Skyop Operator Electronic

SKYOP ELECTRIC MODULE



TRADE PACK

Including 2 x sash brackets and pin, suitable up to 44kg restricted or 22kg non-restricted travel

Black	P45903BNZ
Sandstone	P45903NZ
White	P45903WNZ

SKYOP AC KEYPAD AND TRANSFORMER



TRADE PACK

Controls up to 4 operators

P4586

ELECTRIC RAIN SENSOR



TRADE PACK

P4587

SKYOP AC TRANSFORMER 24V



TRADE PACK

P1938

SKYOP ELECTRIC KEYPAD MODULE



TRADE PACK

P4585

Description	Finish	Part Number
-------------	--------	-------------

## Manual Operators

**INTERLOCK™**

### Skyop Operator Manual

#### SKYOP MANUAL MODULE



TRADE PACK		
<b>Including 2 x sash brackets and pin, Pole Receiver and Crank Handle</b>		
	Black	P4550B
	Sandstone	P4550
	White	P4550W

#### ACCESSORIES



TRADE PACK		
Crank Handle	Black	P4551B
Crank Handle	Sandstone	P4551
Crank Handle	White	P4551W



Pole Receiver	Black	P4553B
Pole Receiver	Sandstone	P4553
Pole Receiver	White	P4553W



Sash Bracket, Face Fix	Black	P4561B
Sash Bracket, Face Fix	Sandstone	P4561
Sash Bracket, Face Fix	White	P4561W



Sash Bracket, Vertical	Black	P4565B
Sash Bracket, Vertical	Sandstone	P4565
Sash Bracket, Vertical	White	P4565W



Sash Bracket Pin	Nickel	P4516
------------------	--------	-------



Skyop Pole and Hook Adaptor		P4554
<i>Note: 1.8m extends to 3m</i>		



7mm Base Packer	Black	C5222B
7mm Base Packer	Sandstone	C5222
7mm Base Packer	White	C5222W

# Skylight Operator Electronic

INTERLOCK™

ASSA ABLOY



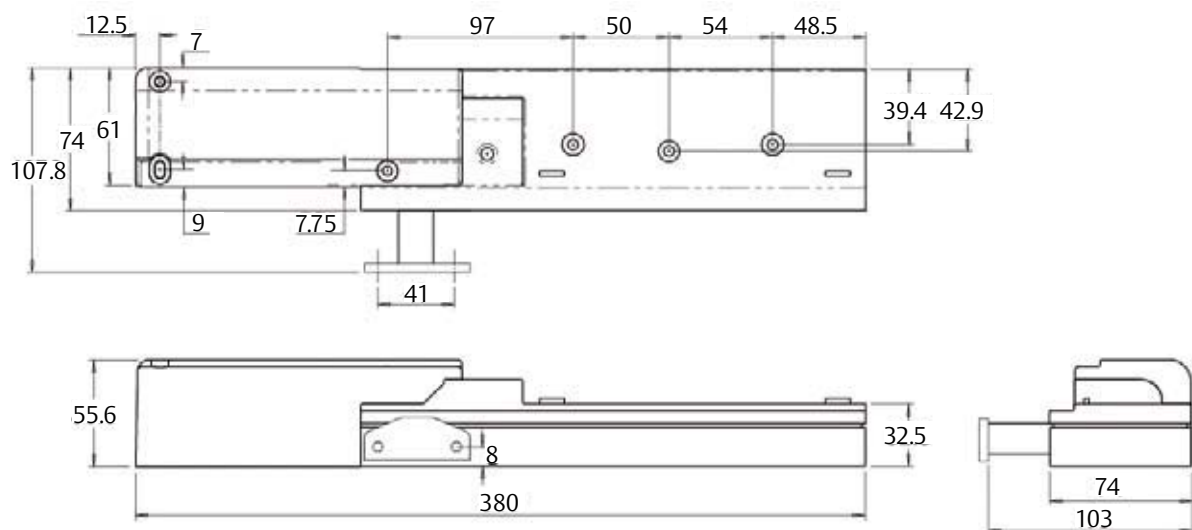
The Interlock Skylight Operator Electronic is a convenient option for opening and closing roof windows. The easy to use control keypad offers four set opening positions as easy-choice options as well as the ability to open the window to any desired position. The operator can be used with aluminium, steel, timber and uPVC framed skylights or hinged windows (non-pivoting).

## Features:

- Suitable for new build or retrofit installation
- The microprocessor-controlled keypad can operate up to four skylight windows fitted with Interlock motor units
- Reinforced polymer opening chain for strength, durability and quiet operation
- Recessed to accept a flyscreen, fitted between the operator and the skylight
- New Zealand made

## Options:

- An electric rain sensor can be fitted to automatically close an open window when rain is detected
- The chain may be colour matched to the base unit and interior decor



**Note:** The maximum weight capacity for a restricted chain is 44kg and 22kg for an unrestricted chain

ASSA ABLOY New Zealand Ltd.  
PO Box 100407, North Shore  
North Shore City 0745

6 Armstrong Road, Albany  
North Shore City 0632  
New Zealand

Within New Zealand:  
Tel 09 415 8031  
Fax 0800 478 297  
www.assaabloy.co.nz

Outside New Zealand:  
Tel +64 9 921 7630  
Fax +64 9 921 6504  
www.assaabloy.co.nz

ASSA ABLOY, the global leader  
in door opening solutions.

RES-FEY-065 05 10NZ



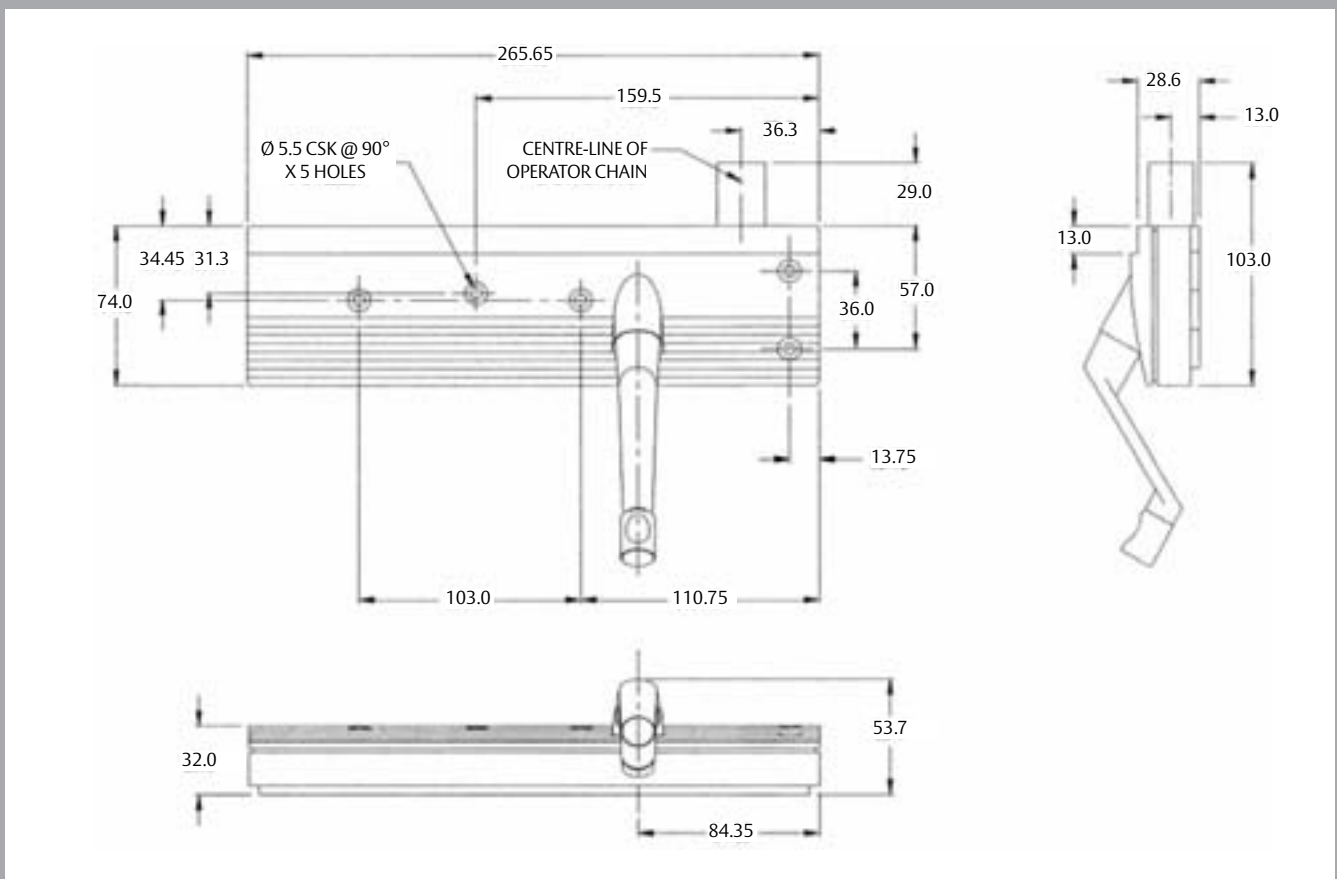
The Interlock manual Skylight Operator offers an attractive and user-friendly option for opening and closing hinged (non-pivoting) roof and out-of-reach windows. With a host of features and options, the Interlock system allows ventilation with convenience, flexibility and safety. For use with aluminium, timber, and uPVC framed skylights.

## Features:

- Opening out-of-reach windows can be done easily with the Interlock pole operator
- The patented, lever-operated locking mechanism on the pole allows telescopic adjustment to the required length
- Reinforced polymer opening chain for strength, durability and quiet operation
- Recessed to accept a fly screen, which can be fitted between the operator and the skylight
- Detachable sash bracket for ease of installation and fire safety
- The unit and winder handle have a sleek and compact appearance to fit with any skylight window
- Simple to install
- New Zealand made

## Options:

- Manual opener options:
  - Crank handle
  - Pole operated (to 3 metres)
- Can be upgraded from manual control to electronic control



RES-FY-031 04 10NZ



# SECTION D

BIFOLDING HARDWARE



BIFOLDING  
HARDWARE



## SECTION D BI-FOLDING WINDOW AND DOOR HARDWARE

PAGE NUMBER

**Twin Bolt Locksets****1 - 3**

Aria Kits

1

Uno Kits

1

Twin Bolt Series Lock Bodies

2

Twin Bolt Bi-fold Components

2 - 3

**Millton Bi-fold 2-Point Locksets****4 - 6**

2-Point Kits

4 - 5

Millton Series Lock Components

5 - 6

**Flush Bolts****7 - 9**

Surface Mount

7

Recess Mount

8

Narrow Plate Surface Mount

9

Rod Components

9

**Bi-fold - Heavy Duty Range****10**

Heavy Duty Bi-fold

10

**Hinges****10**

D-Handle/Hinge

10



Description	Finish	Part Number
-------------	--------	-------------

## Twin Bolt Locksets

**INTERLOCK™**

### Aria Kits

#### TWIN BOLT BI-FOLD WITH ARIA HANDLE



TRADE PACK		
Locking - With Low Profile Securiturn and Cylinder	Black	PB3022227AB
Locking - With Low Profile Securiturn and Cylinder	Special	PB3022227ASPEC
Locking - With Low Profile Securiturn and Cylinder	Satin Chrome	PB3022227ASC
Non Locking	Black	PB3010027AB
Non Locking	Special	PB3010027SPEC
Non Locking	Satin Chrome	PB3010027ASC

### Uno Kits

#### TWIN BOLT BI-FOLD WITH UNO HANDLE



TRADE PACK		
Locking - With Low Profile Securiturn and Cylinder	Black	P84217AB
Locking - With Low Profile Securiturn and Cylinder	Pearl White	P84217APW
Locking - With Low Profile Securiturn and Cylinder	Primrose	P84217APR
Locking - With Low Profile Securiturn and Cylinder	Special	P84217A(SPEC)
Locking - With Low Profile Securiturn and Cylinder	Satin Chrome	P84217ASC
Non Locking	Black	P84216AB
Non Locking	Pearl White	P84216APW
Non Locking	Primrose	P84216APR
Non Locking	Special	P84216A(SPEC)
Non Locking	Satin Chrome	P84216ASC

Description	Finish	Part Number
-------------	--------	-------------

## Twin Bolt Series Lock Bodies

### TWIN BOLT SERIES LOCK BODIES



TRADE PACK		
Non-Locking		P84130A
Locking - With Low Profile Securiturn and Cylinder		P84131A

## Twin Bolt Bi-fold Components

### ARIA BI-FOLD HANDLE



TRADE PACK		
	Black	PB1070027B
	Special	PB1070027SPEC
	Satin Chrome	PB1070027SC

### ARIA CYLINDER ESCUTCHEON - CONTAINS ONLY ONE ESCUTCHEON



TRADE PACK		
Low Profile 4mm	Black	PA1101B
Low Profile 4mm	Special	PA1101SPEC
Low Profile 4mm	Satin Chrome	PA1101SC

### UNO BI-FOLDING HANDLE



TRADE PACK		
	Black	P83001B
	Special	P83001(SPEC)
	Satin Chrome	P83001SC

### UNO CYLINDER ESCUTCHEON - CONTAINS ONLY ONE ESCUTCHEON



TRADE PACK		
Low Profile 4mm	Black	P84211B
Low Profile 4mm	Pearl White	P84211PW
Low Profile 4mm	Primrose	P84211PR
Low Profile 4mm	Special	P84211(SPEC)
Low Profile 4mm	Satin Chrome	P84211SC

Description	Finish	Part Number
-------------	--------	-------------

## Twin Bolt Bi-fold Components continued...

### TWIN BOLT BI-FOLD ACCESSORIES



TRADE PACK		
Lock Rods (1 x 1m, 1 x 1.3m Rod Pins & Rod Tips)		P33096



<b>Multi-Point Extension Kit</b>		
1 x 1m, 1 x Jointer		P84017



<b>Shootbolt Rod Tip 12.7MM</b>		
Multi-point Shootbolt	Stainless Steel	P84155
Multi-point 'D' Tip Set	Black	P84094



<b>Cover Plate</b>		
22mm x 290mm	Black	P84220B
22mm x 290mm	Special	P84220(SPEC)



Securiturn Low Profile with Release Key	Satin Chrome	MC35L5LPLS
---	--------------	------------



<b>Replacement Twin Bolt Barrel Plate - MC70 Cylinder with C4 Barrel</b>		
Includes 2 Keys		70C4CYL



<b>Bi-fold Thumbgrip</b>		
	Black	P84096B
	Pearl White	P84096PW
	Primrose	P84096PR
	Special	P84096(SPEC)





Description	Finish	Part Number
-------------	--------	-------------

## Milton Bi-fold 2-Point Locksets



### 2-Point Kits

#### STANDARD KITS WITH 30MM BACKSET

TRADE PACK			
	Double Cylinder	Black	P84077B
	Double Cylinder	Pearl White	P84077PW
	Double Cylinder	Primrose	P84077PR
	Double Cylinder	Special	P84077(SPEC)
	Double Cylinder	Satin Chrome	P84077SC
	Cylinder and Turnknob	Black	P84078B
	Cylinder and Turnknob	Pearl White	P84078PW
	Cylinder and Turnknob	Primrose	P84078PR
	Cylinder and Turnknob	Special	P84078(SPEC)
	Cylinder and Turnknob	Satin Chrome	P84078SC
	Half Cylinder	Black	P84047B
	Half Cylinder	Pearl White	P84047PW
	Half Cylinder	Primrose	P84047PR
	Half Cylinder	Special	P84047(SPEC)
	Half Cylinder	Satin Chrome	P84047SC
	Half Turnknob	Black	P84048B
	Half Turnknob	Pearl White	P84048PW
	Half Turnknob	Primrose	P84048PR
	Half Turnknob	Special	P84048(SPEC)
	Half Turnknob	Satin Chrome	P84048SC

Description	Finish	Part Number
-------------	--------	-------------

## 2-Point Kits continued...

### HALF CYLINDER, MC35 LOW PROFILE SECURITURN



TRADE PACK		
Half Cylinder	Black	P84049B
Half Cylinder	Pearl White	P84049PW
Half Cylinder	Primrose	P84049PR
Half Cylinder	Special	P84049(SPEC)
Half Cylinder	Satin Chrome	P84049SC

## Milton Series Lock Components

### MILLTON LOCK BODY



TRADE PACK		
Bi-fold 2-Point		P84065B

### MILLTON ACCESSORIES



TRADE PACK		
Multi-Point Extension Kit		P84017



Bi-fold Thumbgrip		
	Black	P84096B
	Pearl White	P84096PW
	Primrose	P84096PR
	Special	P84096(SPEC)

Description	Finish	Part Number
-------------	--------	-------------

**Milton Series Lock Components continued...**

**MILLTON ACCESSORIES CONTINUED...**

**TRADE PACK**

**Cylinder Escutcheon Plate (Low Profile)**



Low Profile 4mm	Black	P84211B
Low Profile 4mm	Pearl White	P84211PW
Low Profile 4mm	Primrose	P84211PR
Low Profile 4mm	Special	P84211(SPEC)
Low Profile 4mm	Satin Chrome	P84211SC

**Cylinder Escutcheon Set (Low Profile)**



Low Profile 4mm	Black	P84064B
Low Profile 4mm	Pearl White	P84064PW
Low Profile 4mm	Primrose	P84064PR
Low Profile 4mm	Special	P84064(SPEC)
Low Profile 4mm	Satin Chrome	P84064SC

**Securiturn Low Profile with Release Key**



	Satin Chrome	MC35L5LPLS
--	--------------	------------

Description	Finish	Part Number
-------------	--------	-------------

## Flush Bolts



### Surface Mount

#### 12.5MM NYLON TIP



TRADE PACK		
	Black	P3512B
	Special	P3512(SPEC)
	Satin Chrome	P3512SC

#### 12.5MM NYLON TIP 'D' SHAPED



TRADE PACK		
	Black	P3512DB
	Special	P3512D(SPEC)
	Satin Chrome	P3512DSC

#### 12.5MM STEEL TIP



TRADE PACK		
	Black	P3512RB
	Special	P3512R(SPEC)
	Satin Chrome	P3512RSC

#### WITHOUT RODS



TRADE PACK		
	Black	P3512VB
	Special	P3512V(SPEC)
	Satin Chrome	P3512VSC

Description	Finish	Part Number
-------------	--------	-------------

## Recess Mount

### 12.5MM NYLON TIP



TRADE PACK		
	Black	P3513B
	Special	P3513(SPEC)
	Satin Chrome	P3513SC

### 12.5MM NYLON TIP 'D' SHAPED



TRADE PACK		
	Black	P3513DB
	Special	P3513D(SPEC)
	Satin Chrome	P3513DSC

### 12.5MM STEEL TIP



TRADE PACK		
	Black	P3513RB
	Special	P3513R(SPEC)
	Satin Chrome	P3513RSC

### WITHOUT RODS



TRADE PACK		
	Black	P3513VB
	Special	P3513V(SPEC)
	Satin Chrome	P3513VSC



Description

Finish

Part Number

## Narrow Plate Surface Mount

### 12.5MM NYLON TIP



TRADE PACK		
	Black	P3514B
	Special	P3514(SPEC)
	Satin Chrome	P3514SC

### 12.5MM NYLON TIP 'D' SHAPED



TRADE PACK		
	Black	P3514DB
	Special	P3514D(SPEC)
	Satin Chrome	P3514DSC

### 12.5MM STEEL TIP



TRADE PACK		
	Black	P3514RB
	Special	P3514R(SPEC)
	Satin Chrome	P3514RSC

### WITHOUT RODS



TRADE PACK		
	Black	P3514VB
	Special	P3514V(SPEC)
	Satin Chrome	P3514VSC

## Rod Components

### COMPONENTS



TRADE PACK		
300mm Bent Tip		P3515
300mm Nylon Tip		P3516
300mm Nylon Tip 'D' Shaped		P3521
300mm Steel Tip		P3518
600mm Nylon Tip Round		P3517

Description	Finish	Part Number
-------------	--------	-------------

## Bi-fold - Heavy Duty Range

### INTERLOCK™

## Heavy Duty Bi-fold

### CARRIAGE AND GUIDE SETS



TRADE PACK		
Central Configuration	Black	P3869B
Central Configuration	Special	P3869(SPEC)
Right Hand Configuration	Black	P3868B
Right Hand Configuration	Special	P3868(SPEC)
Left Hand Configuration	Black	P3867B
Left Hand Configuration	Special	P3867(SPEC)



### D-HANDLE



TRADE PACK		
	Black	P3870B
	Special	P3870(SPEC)

### HINGE



TRADE PACK		
Non-Handed	Black	P3871B
Non-Handed	Special	P3871(SPEC)

## Hinges

### INTERLOCK™

## D-Handle/Hinge



TRADE PACK		
Surface Bi-fold Hinge	Black	30460B
Surface Bi-fold D Hinge	Black	30461B

# Twin Bolt Aria / Uno Styled - for Bi-folding Windows and Doors

**INTERLOCK™**  
**ASSA ABLOY**

ASSA ABLOY, the global leader  
in door opening solutions.



The Twin Bolt lock body has been designed for use on both bi-fold windows and doors. The Twin Bolt combines security features with a practical design, fulfilling the needs created by architectural innovations within the residential market. Suitable for use with aluminium or uPVC hinged windows and doors.

## Features

- Twin Bolt features internal locking only
- Standard rod length 1 x 1m + 1 x 1.3m
- Provides two points of security with throw rods top and bottom (13mm throw)
- Practical, easy installation
- Zinc die-cast construction
- Standard moulded plastic packers and fixing screws provided
- Threaded rod connection provides easy adjustment
- Handle turning angle of 90 degrees
- Can be keyed alike to other ASSA ABLOY CYL4™ locks for one key convenience
- New Zealand made

## Options

- Can be used with Aria or Uno handle for bi-fold kit application\*
- Non-locking (internal handle only) or locking (internal handle and cylinder)
- Multipoint rod extension kit available

\* Aria handle option shown

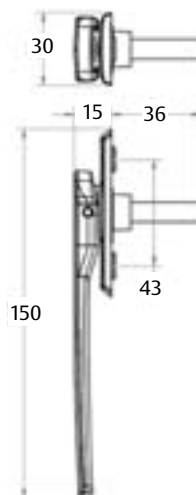
# Twin Bolt

Aria / Uno Styled - for Bi-Folding Windows and Doors

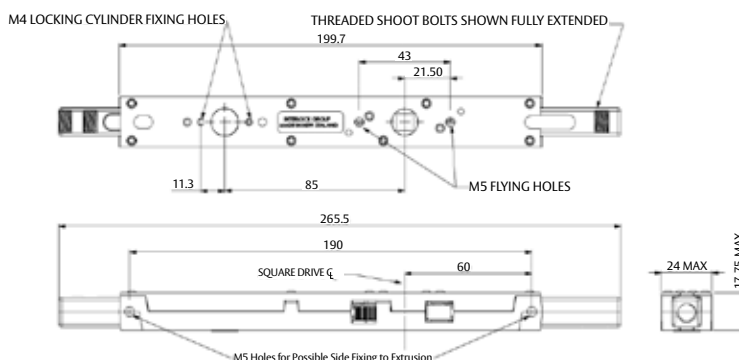
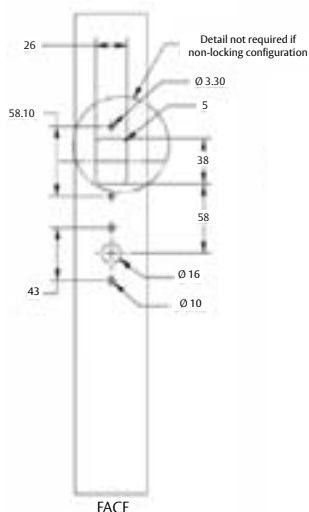
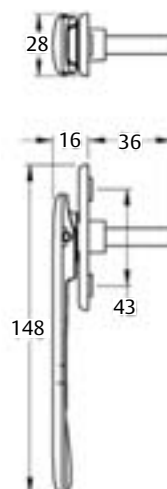
INTERLOCK™

ASSA ABLOY

Aria bi-fold



Uno bi-fold



**Note:** - Fits door with a minimum cavity of 18mm x 24mm  
 - When using an Aria or Uno handle, a gap of 16mm between bi-folding panels is required

RES-FLY-044-04-10NZ

ASSA ABLOY New Zealand Ltd.  
 PO Box 100407, North Shore  
 North Shore City 0745

6 Armstrong Road, Albany  
 North Shore City 0632  
 New Zealand

Within New Zealand:  
 Tel 09 415 8031  
 Fax 0800 478 297  
 www.assaabloy.co.nz

Outside New Zealand:  
 Tel +64 9 921 7630  
 Fax +64 9 921 6504  
 www.assaabloy.co.nz

ASSA ABLOY, the global leader  
 in door opening solutions.

# Millton Bi-fold 2-Point

INTERLOCK™

ASSA ABLOY

ASSA ABLOY, the global leader  
in door opening solutions.



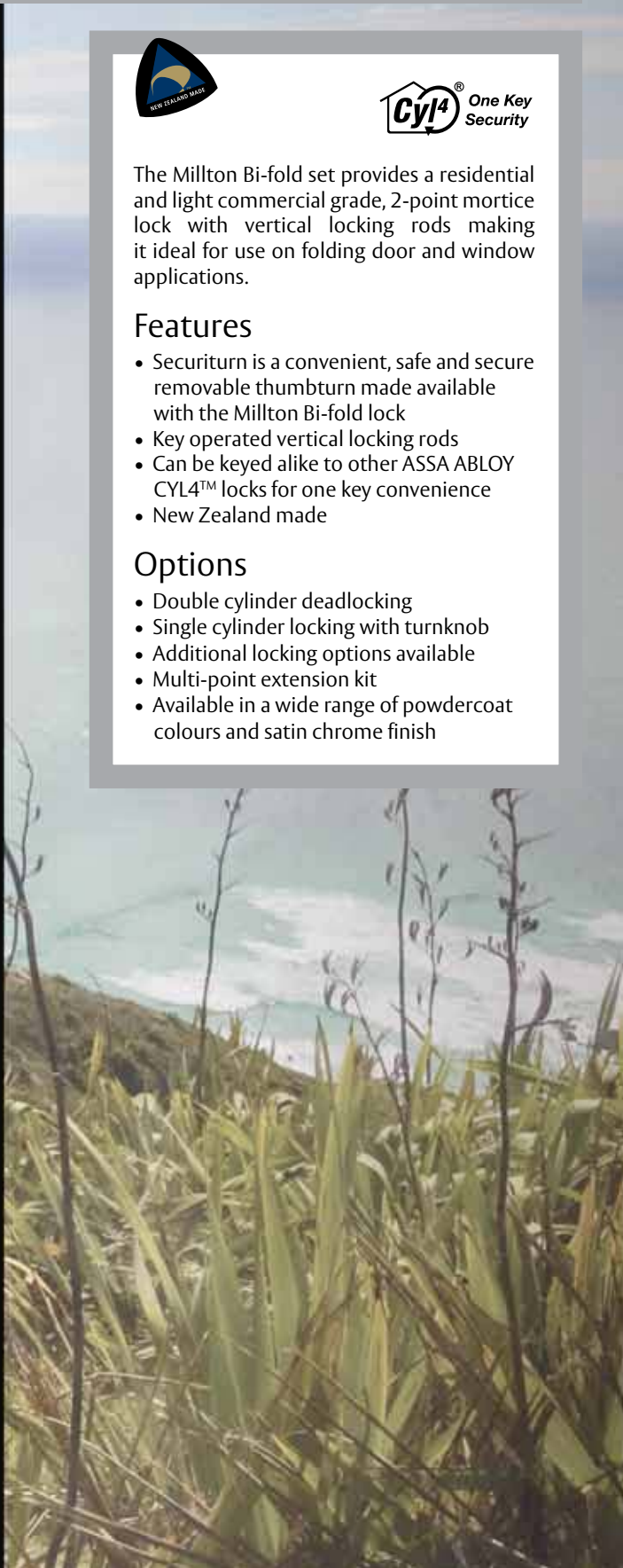
The Millton Bi-fold set provides a residential and light commercial grade, 2-point mortice lock with vertical locking rods making it ideal for use on folding door and window applications.

## Features

- Securiturn is a convenient, safe and secure removable thumbturn made available with the Millton Bi-fold lock
- Key operated vertical locking rods
- Can be keyed alike to other ASSA ABLOY CYL4™ locks for one key convenience
- New Zealand made

## Options

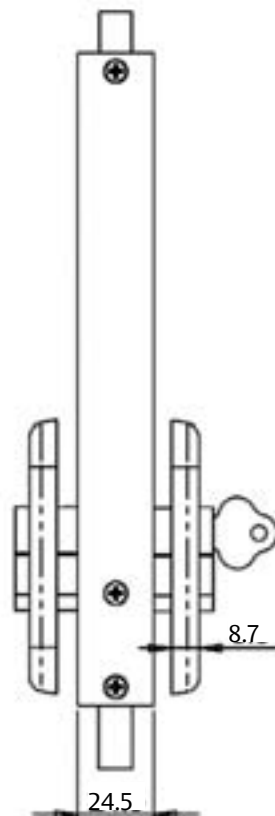
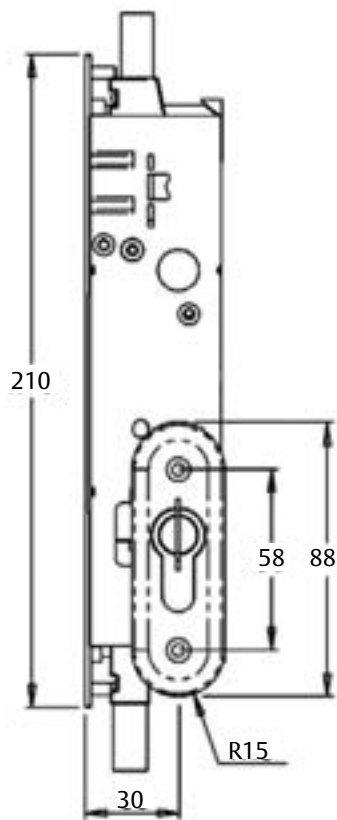
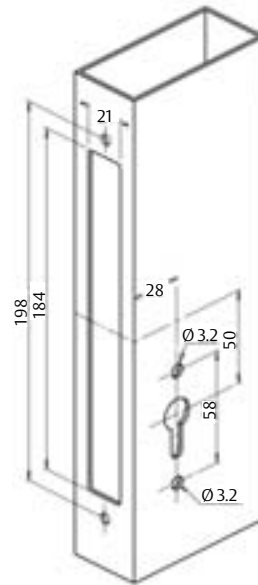
- Double cylinder deadlocking
- Single cylinder locking with turnknob
- Additional locking options available
- Multi-point extension kit
- Available in a wide range of powdercoat colours and satin chrome finish



# Milton Bi-fold 2-Point

INTERLOCK™

ASSA ABLOY



RES-FY-034-04-10NZ

ASSA ABLOY New Zealand Ltd.  
PO Box 100407, North Shore  
North Shore City 0745

6 Armstrong Road, Albany  
North Shore City 0632  
New Zealand

Within New Zealand:  
Tel 09 415 8031  
Fax 0800 478 297  
www.assaabloy.co.nz

Outside New Zealand:  
Tel +64 9 921 7630  
Fax +64 9 921 6504  
www.assaabloy.co.nz

ASSA ABLOY, the global leader  
in door opening solutions.



# Flush Bolts

INTERLOCK™

ASSA ABLOY

ASSA ABLOY, the global leader  
in door opening solutions.



The Interlock flush bolt range is used for the safe bolting of aluminium doors and windows. The 7mm diameter plated steel rod provides high security and is activated by a strongly constructed die-cast zinc body and operating lever with comfortable finger grip.

## Features

- All flush bolts are supplied as standard with a 300mm rod threaded for 150mm along its length, enabling the rod to be factory trimmed to suit varying door/window heights
- A rod guide is also supplied for fitting inside the door/window frame
- A 600mm rod option is also available

## Options

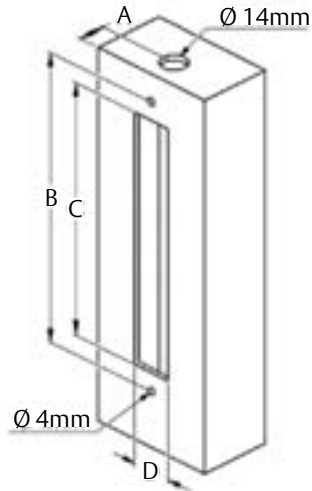
The range has three variants-

- **Surface-mounted model** with standard width face plate, can be mounted either on the face or on the leading edge of a door stile
- **Surface-mounted narrow face plate**, is suitable for bi-fold windows as well as doors because of its smaller lines
- **Recessed model**, has a shorter overall length and is recessed into a door stile to give a smooth, flush appearance.
- Sizes and types to suit both doors and windows
- Available in a range of colours to match decor

# Flush Bolts

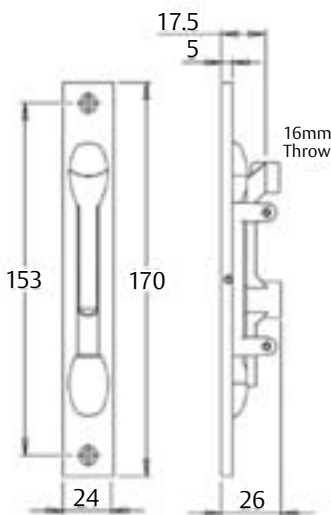
**INTERLOCK™**

**ASSA ABLOY**

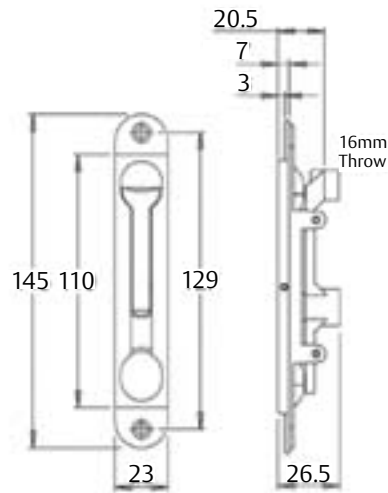


	A	B	C	D
P3512 Surface Mounted	13	153	120	19
P3513 Recess Mounted	17.5*	129	110	23
P3514 Surface Mounted Narrow	15	155	120	18

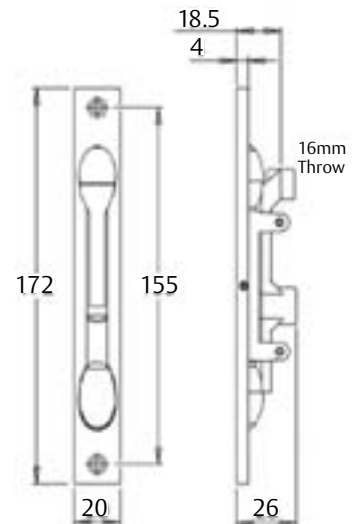
\* Measured from inside of extrusion



Surface Mounted



Recessed



Surface Mounted Narrow Plate

RES-FLY-046-04-10NZ

ASSA ABLOY New Zealand Ltd.  
PO Box 100407, North Shore  
North Shore City 0745

6 Armstrong Road, Albany  
North Shore City 0632  
New Zealand

Within New Zealand:  
Tel 09 415 8031  
Fax 0800 478 297  
www.assaabloy.co.nz

Outside New Zealand:  
Tel +64 9 921 7630  
Fax +64 9 921 6504  
www.assaabloy.co.nz

ASSA ABLOY, the global leader  
in door opening solutions.



# Heavy Duty Bi-fold

INTERLOCK™

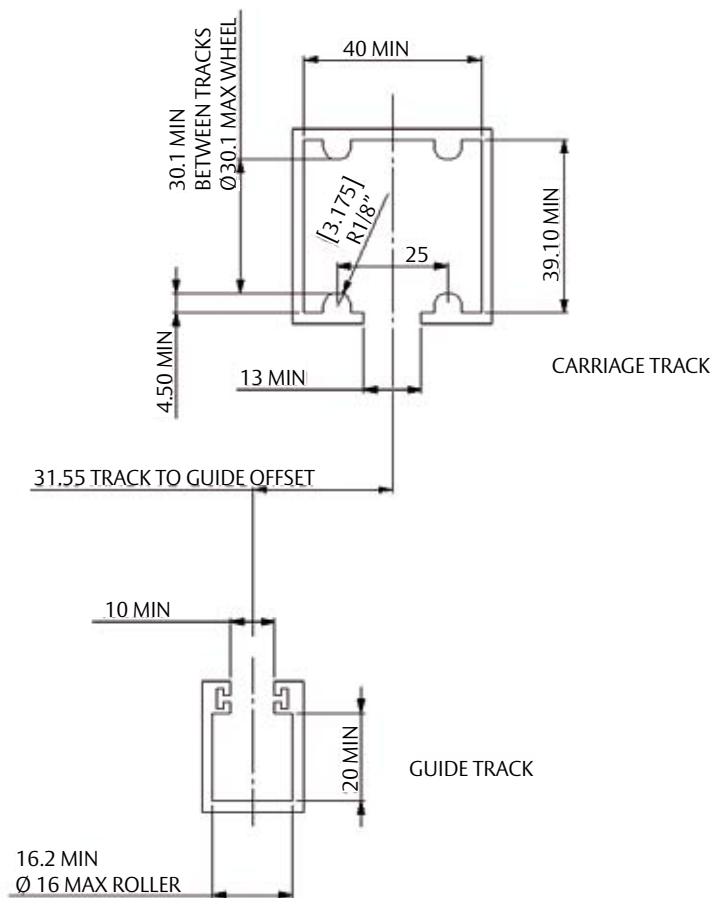
ASSA ABLOY



This heavy duty bi-fold system is designed for aluminium doors. The system is made up of three components: a carriage/bottom set guide, a hinge and a D-Handle.

## Features:

- Maximum recommended panel sizes of 3000mm high by 900mm wide
- Maximum panel weight of 80kg
- Vertical adjustment of 10mm
- Hinges are non-handed and have removable hinge pins
- Carriage and guide sets are available in left, right hand and central configurations
- Includes complementing D-Handle
- New Zealand made



# Surface Bi-fold D-Handle / Hinge

INTERLOCK™

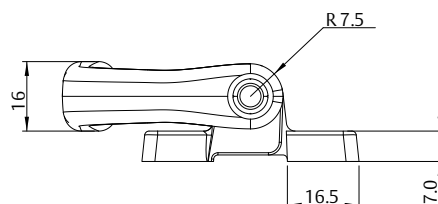
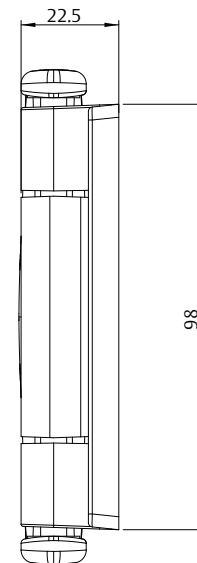
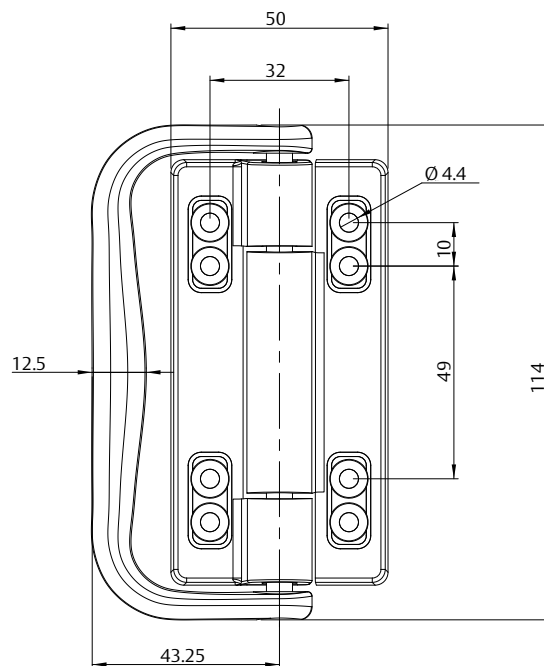
ASSA ABLOY



The Timbafold range of folding door hardware has been specifically designed to fit timber joinery, the use of which has become more popular in recent years. The D-Handle and Hinge is part of this thoroughly tested range of quality hardware for bi-folding exterior doors and windows.

## Features:

- Available in black
- Ergonomically designed 'D' handle for comfortable grip and easy operation
- New Zealand made



ASSA ABLOY New Zealand Ltd.  
PO Box 100407, North Shore  
North Shore City 0745

6 Armstrong Road, Albany  
North Shore City 0632  
New Zealand

Within New Zealand:  
Tel 09 415 8031  
Fax 0800 478 297  
[www.assaabloy.co.nz](http://www.assaabloy.co.nz)

Outside New Zealand:  
Tel +64 9 921 7630  
Fax +64 9 921 6504  
[www.assaabloy.co.nz](http://www.assaabloy.co.nz)

ASSA ABLOY, the global leader  
in door opening solutions.

# SECTION E

SLIDING HARDWARE



SLIDING  
HARDWARE



SECTION E SLIDING WINDOW AND DOOR HARDWARE	PAGE NUMBER
<b>Keying Options</b>	<b>1 - 3</b>
Keys	1 - 2
Keying Services	3
<b>Endeavour Surface Mounted Locksets</b>	<b>4 - 16</b>
Aria Endeavour Surface Mounted Kits	4 - 8
Albany Endeavour Surface Mounted Kits	8 - 10
Endeavour Accessories	11 - 16
<b>Endeavour Mortice Lockset</b>	<b>17 - 20</b>
Endeavour SBML 2-Point	17 - 18
Endeavour SBML Accessories	19 - 20
<b>Albany Mortice Locksets</b>	<b>21 - 23</b>
Albany SBML 4-Point	21
Albany SBML 2-Point	21 - 22
Albany Mortice Accessories	22 - 23
<b>Willo Locksets</b>	<b>24</b>
Willo SBML 2-Point	24
<b>Optimum Sliding Door Locksets</b>	<b>25 - 29</b>
Optimum Mortice Sliding Door 1-Point Kits	25 - 28
Optimum Mortice Sliding Door Lock Bodies	28 - 29
Optimum Mortice Sliding Door Accessories	29
<b>Sliding Door Accessories</b>	<b>30</b>
Sliding Door Closer/Latch	30
<b>Hinged and Sliding Door Accessories</b>	<b>30</b>
Door Stops	30
<b>Roller Carriages</b>	<b>31</b>
Adjustable Carriage	31
Standard Door Roller	31
Other	

Description

Finish

Part Number

## Keying Options

## INTERLOCK™

### Keys

#### 5-PIN KEYS



##### TRADE PACK

Cut to Sample or Interlock Key Number (i.e. J001)

KC5PIN

#### 6-PIN KEYS



##### TRADE PACK

Cut to Sample or Interlock Key Number (i.e. K001)

KC6PIN

*Note: G and H series cylinders are still available; made-to-order and keying charges apply.*

#### CONSTRUCTION KEYS



##### TRADE PACK

Cut to Sample or Interlock Key Number

CK

#### CYL4 CYLINDER KEYS



##### TRADE PACK

Key Blanks for Securicraft CYL4 Product

M1798KB

#### SECURITURN REMOVABLE THUMBTURN STANDARD CAP (29MM X 15.5MM) - INCLUDES RELEASE KEY



##### TRADE PACK

MC35 cut to 5-Pin Sample\*

Satin Chrome

KCMC35L5SC

MC35 cut to 5-Pin Sample\*

Polished Brass

KCMC35L5PB

MC35 cut to 5-Pin Sample\*

Special

KCMC35L5SPEC

*\*Or Interlock Key Number*

MC35 cut to 6-Pin Sample\*

Satin Chrome

KCMC35L6SC

MC35 cut to 6-Pin Sample\*

Polished Brass

KCMC35L6PB

*\*Or Interlock Key Number*

Description	Finish	Part Number
-------------	--------	-------------

Keys continued...

SECURITURN REMOVABLE THUMBTURN LOW PROFILE CAP - INCLUDES RELEASE KEY



TRADE PACK		
MC35 LP cut to 5-Pin Sample*	Satin Chrome	KCMC35LPL5SC
MC35 LP cut to 5-Pin Sample*	Polished Brass	KCMC35LPL5PB
MC35 LP cut to 5-Pin Sample*	Special	KCMC35LPL5SPEC
<i>*Or Interlock Key Number</i>		
MC35 LP cut to 6-Pin Sample*	Satin Chrome	KCMC35LPL6SC
MC35 LP cut to 6-Pin Sample*	Polished Brass	KCMC35LPL6PB
<i>*Or Interlock Key Number</i>		

SECURITURN ACCESSORIES



TRADE PACK		
Standard Cap	Black	35CAPB
Standard Cap	Special	35CAP(SPEC)
Standard Cap	Satin Chrome	35CAPSC
Standard Cap	Polished Brass	35CAPPB
Low Profile Cap and Insert	Satin Chrome	35CAPLPSC
Release Key		35RK

Description	Finish	Part Number
-------------	--------	-------------

**Keying Services**

**REKEYING**



TRADE PACK		
<b>5 or 6-Pin Single Cylinder</b>	Keying Alike to Sample Key or Key No.	REKEY1CYL
<i>Note: Include 2 keys per cylinder</i>		
<b>5 or 6-Pin Double Cylinder</b>	Keying Alike to Sample Key or Key No.	REKEY2CYL
<i>Note: Include 2 keys per cylinder</i>		

**CONSTRUCTION KEYING**



TRADE PACK		
LW4 compatible pin tumbler cylinders for 5 or 6-pin cylinders		CONKEY
<i>Note: Includes 4 servant keys per house lot.</i>		

**MASTER KEYING**



TRADE PACK		
<b>For Motels, Hotels and Commercial Applications Grand Master Keying, Master Keying, Keyed Alike &amp; Keyed to Differ</b>		
Double Cylinder - with 2 Servant Keys		MASTERKEYDC
Single Cylinder - with 2 Servant Keys		MASTERKEY
<i>Note: Includes 2 x GMK and/or MK keys, 2 x Servant Keys per KA group or KD lock</i>		
Rekeying CYL4 Cylinder (excluding keys)		REKEYC4

Description	Finish	Part Number
-------------	--------	-------------

## Endeavour Surface Mounted Locksets



### Aria Endeavour Surface Mounted Kits

#### ARIA ENDEAVOUR KITS - D-HANDLE INTERIOR, SLIM PULL EXTERIOR



DISPLAY PACK		
Locking Entrance	Black	EN901210BDP



Deadlocking with Daylatch	Black	EN911310BDP
---------------------------	-------	-------------



TRADE PACK		
Locking Entrance	Black	EN901210B
Locking Entrance	Special	EN901210SPEC
Locking Entrance	Satin Chrome	EN901210SC



Locking - 6-Pin Cylinder	Black	EN901510B
Locking - 6-Pin Cylinder	Special	EN901510SPEC
Locking - 6-Pin Cylinder	Satin Chrome	EN901510SC



Deadlocking (Interior Only)	Black	EN910110B
Deadlocking (Interior Only)	Special	EN910110SPEC
Deadlocking (Interior Only)	Satin Chrome	EN910110SC



Deadlocking with Daylatch	Black	EN911310B
Deadlocking with Daylatch	Special	EN911310SPEC
Deadlocking with Daylatch	Satin Chrome	EN911310SC



Non-Locking	Black	EN900010B
Non-Locking	Special	EN900010SPEC
Non-Locking	Satin Chrome	EN900010SC



Description

Finish

Part Number

## Aria Endeavour Surface Mounted Kits continued...

### ARIA ENDEAVOUR KITS - D-HANDLE INTERIOR, SLIM PULL EXTERIOR CONTINUED...



TRADE PACK		
Dummy	Black	EN800000B
Dummy	Special	EN800000SPEC
Dummy	Satin Chrome	EN800000SC

### ARIA ENDEAVOUR KITS - D-HANDLE INTERIOR, COVER PLATE EXTERIOR



TRADE PACK		
Non-Locking	Black	EN908010B
Non-Locking	Special	EN908010SPEC
Non-Locking	Satin Chrome	EN908010SC



Dummy	Black	EN808000B
Dummy	Special	EN808000SPEC
Dummy	Satin Chrome	EN808000SC

### ARIA ENDEAVOUR KITS - BI-PARTING, D-HANDLE INTERIOR, SLIM PULL EXTERIOR



TRADE PACK		
Bi-Parting Dummy	Black	EN800040B
Bi-Parting Dummy	Special	EN800040SPEC
Bi-Parting Dummy	Satin Chrome	EN800040SC

### ARIA ENDEAVOUR KITS - BI-PARTING, D-HANDLE INTERIOR, COVER PLATE EXTERIOR



TRADE PACK		
Bi-Parting Dummy	Black	EN808040B
Bi-Parting Dummy	Special	EN808040SPEC
Bi-Parting Dummy	Satin Chrome	EN808040SC

Description	Finish	Part Number
-------------	--------	-------------

Aria Endeavour Surface Mounted Kits continued...

ARIA ENDEAVOUR KITS - BI-PARTING, SLIM PULL BOTH SIDES



TRADE PACK		
Bi-Parting Dummy	Black	EN820040B
Bi-Parting Dummy	Special	EN820040SPEC
Bi-Parting Dummy	Satin Chrome	EN820040SC

ARIA ENDEAVOUR KITS - BI-PARTING, SLIM PULL INTERIOR, COVER PLATE EXTERIOR



TRADE PACK		
Bi-Parting Dummy	Black	EN828040B
Bi-Parting Dummy	Special	EN828040SPEC
Bi-Parting Dummy	Satin Chrome	EN828040SC

ARIA ENDEAVOUR KITS - SLIM PULL BOTH SIDES



TRADE PACK		
Non-Locking	Black	EN920010B
Non-Locking	Special	EN920010SPEC
Non-Locking	Satin Chrome	EN920010SC



Locking (Exterior Only)	Black	EN930010B
Locking (Exterior Only)	Special	EN930010SPEC
Locking (Exterior Only)	Satin Chrome	EN930010SC



Deadlocking with Daylatch	Black	EN931310B
Deadlocking with Daylatch	Special	EN931310SPEC
Deadlocking with Daylatch	Satin Chrome	EN931310SC



Dummy	Black	EN820000B
Dummy	Special	EN820000SPEC
Dummy	Satin Chrome	EN820000SC

Description

Finish

Part Number

## Aria Endeavour Surface Mounted Kits continued...

### ARIA ENDEAVOUR KITS - SLIM PULL INTERIOR, COVER PLATE EXTERIOR



TRADE PACK		
Non-Locking	Black	EN938010B
Non-Locking	Special	EN938010SPEC
Non-Locking	Satin Chrome	EN938010SC
Dummy	Black	EN828000B
Dummy	Special	EN828000SPEC
Dummy	Satin Chrome	EN828000SC



### ARIA ENDEAVOUR WIDE STRIKE KITS - D-HANDLE INTERIOR, SLIM PULL EXTERIOR



Non-Locking	Black	EN900080B
Non-Locking	Special	EN900080SPEC
Non-Locking	Satin Chrome	EN900080SC



Exterior Locking Only	Black	EN901280B
Exterior Locking Only	Special	EN901280SPEC
Exterior Locking Only	Satin Chrome	EN901280SC



Interior Locking Only	Black	EN910180B
Interior Locking Only	Special	EN910180SPEC
Interior Locking Only	Satin Chrome	EN910180SC



Deadlocking	Black	EN911380B
Deadlocking	Special	EN911380SPEC
Deadlocking	Satin Chrome	EN911380SC

### ARIA ENDEAVOUR WIDE STRIKE KITS - SLIM PULL BOTH SIDES



Non-Locking	Black	EN920080B
Non-Locking	Special	EN920080SPEC
Non-Locking	Satin Chrome	EN920080SC

Description	Finish	Part Number
-------------	--------	-------------

Aria Endeavour Surface Mounted Kits continued...

ARIA ENDEAVOUR WIDE STRIKE KITS - SLIM PULL BOTH SIDES CONTINUED...



Exterior Locking Only	Black	EN921080B
Exterior Locking Only	Special	EN921080SPEC
Exterior Locking Only	Satin Chrome	EN921080SC



Deadlocking	Black	EN931380B
Deadlocking	Special	EN931380SPEC
Deadlocking	Satin Chrome	EN931380SC

Albany Endeavour Surface Mounted Kits

ALBANY ENDEAVOUR KITS - D-HANDLE INTERIOR, SLIM PULL EXTERIOR



DISPLAY PACK		
Locking Entrance	Black	AL901210BDP



Deadlocking with Daylatch	Black	AL911310BDP
---------------------------	-------	-------------



TRADE PACK		
Locking Entrance	Black	AL901210B
Locking Entrance	Special	AL901210SPEC
Locking Entrance	Satin Chrome	AL901210SC



Locking - 6-Pin Cylinder	Black	AL901510B
Locking - 6-Pin Cylinder	Special	AL901510SPEC
Locking - 6-Pin Cylinder	Satin Chrome	AL901510SC



Deadlocking (Interior Only)	Black	AL910110B
Deadlocking (Interior Only)	Special	AL910110SPEC
Deadlocking (Interior Only)	Satin Chrome	AL910110SC

Description	Finish	Part Number
-------------	--------	-------------

## Albany Endeavour Surface Mounted Kits continued...

### ALBANY ENDEAVOUR KITS - D-HANDLE INTERIOR, SLIM PULL EXTERIOR CONTINUED...



Deadlocking with Daylatch	Black	AL911310B
Deadlocking with Daylatch	Special	AL911310SPEC
Deadlocking with Daylatch	Satin Chrome	AL911310SC



Non-Locking	Black	AL900010B
Non-Locking	Special	AL900010SPEC
Non-Locking	Satin Chrome	AL900010SC



Dummy	Black	AL800000B
Dummy	Special	AL800000SPEC
Dummy	Satin Chrome	AL800000SC

### ALBANY ENDEAVOUR KITS - D-HANDLE INTERIOR, COVER PLATE EXTERIOR



TRADE PACK		
Non-Locking	Black	AL908010B
Non-Locking	Special	AL908010SPEC
Non-Locking	Satin Chrome	AL908010SC



Dummy	Black	AL808000B
Dummy	Special	AL808000SPEC
Dummy	Satin Chrome	AL808000SC

### ALBANY ENDEAVOUR KITS - BI-PARTING, D-HANDLE INTERIOR, SLIM PULL EXTERIOR



TRADE PACK		
Bi-Parting Dummy	Black	AL800040B
Bi-Parting Dummy	Special	AL800040SPEC
Bi-Parting Dummy	Satin Chrome	AL800040SC

Description	Finish	Part Number
-------------	--------	-------------

Albany Endeavour Surface Mounted Kits continued...

ALBANY ENDEAVOUR KITS - BI-PARTING, D-HANDLE INTERIOR, COVER PLATE EXTERIOR



TRADE PACK		
Bi-Parting Dummy	Black	AL808040B
Bi-Parting Dummy	Special	AL808040SPEC
Bi-Parting Dummy	Satin Chrome	AL808040SC

ALBANY ENDEAVOUR WIDE STRIKE KITS - D-HANDLE INTERIOR, SLIM PULL EXTERIOR



Non-Locking	Black	AL900080B
Non-Locking	Special	AL900080SPEC
Non-Locking	Satin Chrome	AL900080SC



Exterior Locking Only	Black	AL901280B
Exterior Locking Only	Special	AL901280SPEC
Exterior Locking Only	Satin Chrome	AL901280SC



Interior Locking Only	Black	AL910180B
Interior Locking Only	Special	AL910180SPEC
Interior Locking Only	Satin Chrome	AL910180SC



Deadlocking	Black	AL911380B
Deadlocking	Special	AL911380SPEC
Deadlocking	Satin Chrome	AL911380SC

Description	Finish	Part Number
-------------	--------	-------------

Endeavour Accessories

ARIA ENDEAVOUR INTERIOR D-HANDLES



TRADE PACK		
Non Locking, Interior D-Handle	Black	EA100B
Non Locking, Interior D-Handle	Special	EA100SPEC
Non Locking, Interior D-Handle	Satin Chrome	EA100SC



Locking, Interior D-Handle	Black	EA101B
Locking, Interior D-Handle	Special	EA101SPEC
Locking, Interior D-Handle	Satin Chrome	EA101SC



Dummy, Interior D-Handle	Black	EA102B
Dummy, Interior D-Handle	Special	EA102SPEC
Dummy, Interior D-Handle	Satin Chrome	EA102SC

ARIA ENDEAVOUR INTERIOR SLIM PULL HANDLES



TRADE PACK		
Non Locking, Interior Slim Pull	Black	EA103B
Non Locking, Interior Slim Pull	Special	EA103SPEC
Non Locking, Interior Slim Pull	Satin Chrome	EA103SC



Locking, Interior Slim Pull	Black	EA104B
Locking, Interior Slim Pull	Special	EA104SPEC
Locking, Interior Slim Pull	Satin Chrome	EA104SC



Dummy, Interior Slim Pull	Black	EA105B
Dummy, Interior Slim Pull	Special	EA105SPEC
Dummy, Interior Slim Pull	Satin Chrome	EA105SC

Description	Finish	Part Number
-------------	--------	-------------

Endeavour Accessories continued...

ARIA ENDEAVOUR EXTERIOR PULL HANDLES



TRADE PACK		
Non-Locking, Exterior Pull	Black	EA200B
Non-Locking, Exterior Pull	Special	EA200SPEC
Non-Locking, Exterior Pull	Satin Chrome	EA200SC
Locking, Exterior Pull	Black	EA201B
Locking, Exterior Pull	Special	EA201SPEC
Locking, Exterior Pull	Satin Chrome	EA201SC

ALBANY ENDEAVOUR INTERIOR D-HANDLES



TRADE PACK		
Non Locking, Interior D-Handle	Black	AA100B
Non Locking, Interior D-Handle	Special	AA100SPEC
Non Locking, Interior D-Handle	Satin Chrome	AA100SC
Locking, Interior D-Handle	Black	AA101B
Locking, Interior D-Handle	Special	AA101SPEC
Locking, Interior D-Handle	Satin Chrome	AA101SC
Dummy, Interior D-Handle	Black	AA102B
Dummy, Interior D-Handle	Special	AA102SPEC
Dummy, Interior D-Handle	Satin Chrome	AA102SC

ALBANY ENDEAVOUR EXTERIOR PULL HANDLES



TRADE PACK		
Non-Locking, Exterior Pull	Black	AA200B
Non-Locking, Exterior Pull	Special	AA200SPEC
Non-Locking, Exterior Pull	Satin Chrome	AA200SC
Locking, Exterior Pull	Black	AA201B
Locking, Exterior Pull	Special	AA201SPEC
Locking, Exterior Pull	Satin Chrome	AA201SC



Description	Finish	Part Number
-------------	--------	-------------

Endeavour Accessories continued...

ENDEAVOUR EXTERIOR COVER PLATE



TRADE PACK		
	Black	P3050B
	Special	P3050(SPEC)
	Satin Chrome	P3050SC

ENDEAVOUR LOCK CHASSIS



TRADE PACK		
Chassis with Packer	Black	EA402
Dummy Chassis with Packer	Black	EA401

ENDEAVOUR PACKERS



TRADE PACK		
Visible 3mm Handle Packer	Black	EA501B
Visible 3mm Handle Packer	Special	EA501SPEC
Visible 3mm Handle Packer	Satin Chrome	EA501SC
Hidden 4mm Handle Packer	Black	EA502

Description	Finish	Part Number
-------------	--------	-------------

Endeavour Accessories continued...

ENDEAVOUR STRIKES



TRADE PACK		
Universal Strike	Black	EA301B
Universal Strike	Special	EA301SPEC
Universal Strike	Satin Chrome	EA301SC



Bi-Parting Strike	Black	EA304B
Bi-Parting Strike	Special	EA304SPEC
Bi-Parting Strike	Satin Chrome	EA304SC



Universal Strike 5mm Packer	Black	EA601B
Universal Strike 5mm Packer	Special	EA601SPEC
Universal Strike 5mm Packer	Satin Chrome	EA601SC



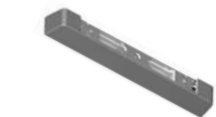
Universal Strike Packer without Rebate	Black	EA602B
Universal Strike Packer without Rebate	Special	EA602SPEC
Universal Strike Packer without Rebate	Satin Chrome	EA602SC



Surface Fixed Strike	Black	EA303B
Surface Fixed Strike	Special	EA303SPEC
Surface Fixed Strike	Satin Chrome	EA303SC



Flat - Low Profile Strike	Stainless Steel	PQ70182
---------------------------	-----------------	---------



Wide Strike	Black	EA308B
Wide Strike	Special	EA308SPEC
Wide Strike	Satin Chrome	EA308SC

Description	Finish	Part Number
-------------	--------	-------------

## Endeavour Accessories continued...

### ENDEAVOUR SCREWS

TRADE PACK		
Standard Screw Pack		EA801
Bi-Parting Screw Pack		EA802
Chassis 2 Exterior Pull 70mm Screw		EA803

### ENDEAVOUR CYLINDERS



TRADE PACK		
Internal Cylinder 5-Pin, 2 Keys		EA701



External Cylinder 5-Pin, 2 Keys		EA702
---------------------------------	--	-------



Pair External & Internal Cylinder 5-Pin, 2 Keys		EA703
---	--	-------



External Cylinder Extended Tailbar 5-Pin, 2 Keys		EA707
--	--	-------



Pair External/Internal Cylinders Extended Tailbar 5-Pin, 2 Keys		EA708
---	--	-------



Internal Cylinder 6-Pin, 2 Keys		EA704
---------------------------------	--	-------

Description	Finish	Part Number
-------------	--------	-------------

Endeavour Accessories continued...

ENDEAVOUR CYLINDERS CONTINUED...



External Cylinder 6-Pin, 2 Keys

EA705



Pair External & Internal 6-Pin Cylinder, 2 Keys

EA706

ENDEAVOUR CYLINDER RETAINERS



TRADE PACK

Cylinder Retainer

EA710



Cylinder Retainer 6-Pin

EA711



Internal Barrel Wedge

EA712

Description

Finish

Part Number

Endeavour Mortice Lockset

**INTERLOCK™**

Endeavour SBML 2-Point Mortice Lockset

ARIA ENDEAVOUR KITS - 2-POINT LOCKING, D-HANDLE INTERIOR, SLIM PULL EXTERIOR



TRADE PACK		
Non-Locking	Black	EM6000A0B
Non-Locking	Special	EM6000A0SPEC
Non-Locking	Satin Chrome	EM6000A0SC



Locking	Black	EM6012A0B
Locking	Special	EM6012A0SPEC
Locking	Satin Chrome	EM6012A0SC



Deadlocking	Black	EM7113A0B
Deadlocking	Special	EM7113A0SPEC
Deadlocking	Satin Chrome	EM7113A0SC



Deadlocking - Inside Only	Black	EM7101A0B
Deadlocking - Inside Only	Special	EM7101A0SPEC
Deadlocking - Inside Only	Satin Chrome	EM7101A0SC



Dummy	Black	EM800000B
Dummy	Special	EM800000SPEC
Dummy	Satin Chrome	EM800000SC

Description	Finish	Part Number
-------------	--------	-------------

Endeavour SBML 2-Point Mortice Lockset continued...

ARIA ENDEAVOUR KITS - 2-POINT LOCKING, SLIM PULL BOTH SIDES



TRADE PACK		
Non-Locking	Black	EM6200A0B
Non-Locking	Special	EM6200A0SPEC
Non-Locking	Satin Chrome	EM6200A0SC
Locking	Black	EM6212A0B
Locking	Special	EM6212A0SPEC
Locking	Satin Chrome	EM6212A0SC
Deadlocking	Black	EM7313A0B
Deadlocking	Special	EM7313A0SPEC
Deadlocking	Satin Chrome	EM7313A0SC
Deadlocking - Inside Only	Black	EM7301A0B
Deadlocking - Inside Only	Special	EM7301A0SPEC
Deadlocking - Inside Only	Satin Chrome	EM7301A0SC
Dummy	Black	EM820000B
Dummy	Special	EM820000SPEC
Dummy	Satin Chrome	EM820000SC

Description	Finish	Part Number
-------------	--------	-------------

## Endeavour SBML Accessories

### SBML SERIES LOCK BODY



TRADE PACK		
Mortice 2-Point		191014

### STRIKES



TRADE PACK		
Adjustable Striker	Black	191040B
Adjustable Striker	Special	191040(SPEC)
Adjustable Striker	Satin Chrome	191040SC

### FURNITURE ACCESSORIES



TRADE PACK		
D Handle with Snib	Black	EA112B
D Handle with Snib	Special	EA112SPEC
D Handle with Snib	Satin Chrome	EA112SC



D Handle with Deadlock	Black	EA113B
D Handle with Deadlock	Special	EA113SPEC
D Handle with Deadlock	Satin Chrome	EA113SC



D Handle Dummy	Black	EA114B
D Handle Dummy	Special	EA114SPEC
D Handle Dummy	Satin Chrome	EA114SC

Description	Finish	Part Number
-------------	--------	-------------

Endeavour SBML Accessories continued...

FURNITURE ACCESSORIES CONTINUED...



Pull with Snib	Black	EA115B
Pull with Snib	Special	EA115SPEC
Pull with Snib	Satin Chrome	EA115SC



Pull with Deadlock	Black	EA116B
Pull with Deadlock	Special	EA116SPEC
Pull with Deadlock	Satin Chrome	EA116SC



Dummy Pull	Black	EA117B
Dummy Pull	Special	EA117SPEC
Dummy Pull	Satin Chrome	EA117SC

LOCK CHASSIS ASSEMBLY

TRADE PACK



Chassis with Snib	Black	EA403B
Chassis with Snib	Special	EA403SPEC
Chassis with Snib	Satin Chrome	EA403SC



Chassis with Deadlock		EA404
-----------------------	--	-------



Dummy Chassis		EA405
---------------	--	-------



Description

Finish

Part Number

**Albany Mortice Locksets**

**INTERLOCK™**

**Albany SBML 4-Point Mortice Lockset**

**ALBANY KITS - 4-POINT LOCKING, D-HANDLE INTERIOR, SLIM PULL EXTERIOR**



TRADE PACK		
Locking	Black	52M-415LPA-BKF
Locking	Special	52M-415LPA-SPF
Deadlocking with Daylatch	Black	52M-815LPA-BKF
Deadlocking with Daylatch	Special	52M-815LPA-SPF
Deadlocking with Daylatch	Satin Chrome	52M-815LPA-SCF
Deadlocking with Daylatch (Inside Only)	Black	52M-915LPA-BKF
Dummy	Black	52M-0000PA-BKF
Dummy	Pearl White	52M-0000PA-PWF
Dummy	Special	52M-0000PA-SPF
Dummy	Satin Chrome	52M-0000PA-SCF

**Albany SBML 2-Point Mortice Lockset**

**ALBANY KITS - 2-POINT LOCKING, D-HANDLE INTERIOR, SLIM PULL EXTERIOR**



TRADE PACK		
Locking	Black	52M-L15LPA-BKF
Locking	Pearl White	52M-L15LPA-PWF
Locking	Special	52M-L15LPA-SPF
Locking	Satin Chrome	52M-L15LPA-SCF
Deadlocking with Daylatch	Black	52M-S15LPA-BKF
Deadlocking with Daylatch	Pearl White	52M-S15LPA-PWF
Deadlocking with Daylatch	Primrose	52M-S15LPA-PRF
Deadlocking with Daylatch	Special	52M-S15LPA-SPF
Deadlocking with Daylatch	Satin Chrome	52M-S15LPA-SCF

Description	Finish	Part Number
-------------	--------	-------------

Albany SBML 2-Point Mortice Lockset continued...

ALBANY KITS - 2-POINT LOCKING, D-HANDLE INTERIOR, SLIM PULL EXTERIOR CONTINUED...



TRADE PACK		
Deadlocking with Daylatch (Inside Only)	Black	52M-R15LPA-BKF
Deadlocking with Daylatch (Inside Only)	Special	52M-R15LPA-SPF
Deadlocking with Daylatch (Inside Only)	Satin Chrome	52M-R15LPA-SCF



Non-Locking	Black	52M-N000PA-BKF
Non-Locking	Pearl White	52M-N000PA-PWF
Non-Locking	Special	52M-N000PA-SPF
Non-Locking	Satin Chrome	52M-N000PA-SCF



Dummy	Black	52M-0000PA-BKF
Dummy	Pearl White	52M-0000PA-PWF
Dummy	Special	52M-0000PA-SPF
Dummy	Satin Chrome	52M-0000PA-SCF



Cover Plate Outside, Exterior Pull Inside with Daylatch		
	Black	52M-S15LPR-BKF
	Special	52M-S15LPR-SPF



Dummy Cover Plate Outside, Exterior Pull Inside		
	Black	52M-0000PB-BKF

Albany Mortice Accessories

STRIKERS



TRADE PACK		
Adjustable Striker	Black	191040B
Adjustable Striker	Pearl White	191040PW
Adjustable Striker	Primrose	191040PR
Adjustable Striker	Special	191040(SPEC)
Adjustable Striker	Satin Chrome	191040SC

Description

Finish

Part Number

## Albany Mortice Accessories continued...

### STRIKERS CONTINUED...



**TRADE PACK**

Mortice Striker	Black	191015B
Mortice Striker	Pearl White	191015PW
Mortice Striker	Primrose	191015PR
Mortice Striker	Special	191015(SPEC)
Mortice Striker	Satin Chrome	191015SC



Packer for Mortice Striker - 1mm	Black	191016
----------------------------------	-------	--------



Packer for Mortice Striker - 3mm	Black	191022B
----------------------------------	-------	---------



Mortice Remote Striker	Black	191018B
Mortice Remote Striker	Special	191018(SPEC)



Packer for Mortice Remote Striker - 1mm	Black	191019
---	-------	--------



Flush Mortice Striker	Stainless Steel	191036
-----------------------	-----------------	--------



Recessed Cover	Black	191061
<i>Note: Use in 2-Point</i>		



Recessed Packer	Black	191062
<i>Note: Use in 2-Point</i>		



Flush Mortice Remote Striker	Stainless Steel	191037
------------------------------	-----------------	--------



Body Packer 3mm	Black	188105B
Body Packer 3mm	Clear	188105N

### CYLINDERS



**TRADE PACK**

Albany Cylinder		180250
-----------------	--	--------

Description	Finish	Part Number
-------------	--------	-------------

Willo Locksets



Willo SBML 2-Point Mortice Lockset

WILLO KITS - 2-POINT LOCKING, D-HANDLE INTERIOR, SLIM PULL EXTERIOR



TRADE PACK		
Locking	Black	52M-L15LPW-BKF
Locking	Pearl White	52M-L15LPW-PWF
Locking	Special	52M-L15LPW-SPF
Locking	Satin Chrome	52M-L15LPW-SCF



Deadlocking with Daylatch	Black	52M-S15LPW-BKF
Deadlocking with Daylatch	Pearl White	52M-S15LPW-PWF
Deadlocking with Daylatch	Primrose	52M-S15LPW-PRF
Deadlocking with Daylatch	Special	52M-S15LPW-SPF
Deadlocking with Daylatch	Satin Chrome	52M-S15LPW-SCF



Deadlocking with Daylatch (Inside Only)	Satin Chrome	52M-R15LPW-SCF
Deadlocking with Daylatch (Inside Only)	Special	52M-R15LPW-SPF



Non-Locking	Black	52M-N000PW-BKF
Non-Locking	Special	52M-N000PW-SPF



Dummy	Black	52M-0000PW-BKF
Dummy	Special	52M-0000PW-SPF
Dummy	Satin Chrome	52M-0000PW-SCF

Description

Finish

Part Number

## Optimum Sliding Door Locksets

**INTERLOCK™**

### Optimum Mortice Sliding Door 1-Point Kits

#### PALLADIUM XTRA (WITH LOCKALERT) KITS - 35MM BACKSET, 23MM FEP, INCLUDES ADJUSTABLE STRIKE



TRADE PACK		
Double Cylinder	Black	PSX60124B
Double Cylinder	Special	PSX60124SPEC
Double Cylinder	Satin Chrome	PSX60124SC



Cylinder and Turnknob	Black	PSX60102B
Cylinder and Turnknob	Special	PSX60102SPEC
Cylinder and Turnknob	Satin Chrome	PSX60102SC



Patio Set - Half Cylinder Only	Black	PSX60104B
Patio Set - Half Cylinder Only	Special	PSX60104SPEC
Patio Set - Half Cylinder Only	Satin Chrome	PSX60104SC



Patio Set - Half Turnknob Only	Black	PSX60103B
Patio Set - Half Turnknob Only	Special	PSX60103SPEC
Patio Set - Half Turnknob Only	Satin Chrome	PSX60103SC

#### PALLADIUM XTRA (WITH LOCKALERT) KITS - 30MM BACKSET, 23MM FEP, INCLUDES ADJUSTABLE STRIKE



TRADE PACK		
Double Cylinder	Black	PSX60024B
Double Cylinder	Special	PSX60024SPEC
Double Cylinder	Satin Chrome	PSX60024SC



Cylinder and Turnknob	Black	PSX60002B
Cylinder and Turnknob	Special	PSX60002SPEC
Cylinder and Turnknob	Satin Chrome	PSX60002SC

Description	Finish	Part Number
-------------	--------	-------------

Optimum Mortice Sliding Door 1-Point Kits continued...

PALLADIUM XTRA (WITH LOCKALERT) KITS - 30MM BACKSET, 23MM FEP, INCLUDES ADJUSTABLE STRIKE CONTINUED...



TRADE PACK		
Patio Set - Half Cylinder Only	Black	PSX60004B
Patio Set - Half Cylinder Only	Special	PSX60004SPEC
Patio Set - Half Cylinder Only	Satin Chrome	PSX60004SC
Patio Set - Half Turnknob Only	Black	PSX60003B
Patio Set - Half Turnknob Only	Special	PSX60003SPEC
Patio Set - Half Turnknob Only	Satin Chrome	PSX60003SC



PALLADIUM XTRA (WITH LOCKALERT) KITS - 40MM BACKSET, 23MM FEP, INCLUDES ADJUSTABLE STRIKE



TRADE PACK		
Double Cylinder	Black	PSX60224B
Double Cylinder	Special	PSX60224SPEC
Double Cylinder	Satin Chrome	PSX60224SC
Cylinder and Turnknob	Black	PSX60202B
Cylinder and Turnknob	Special	PSX60202SPEC
Cylinder and Turnknob	Satin Chrome	PSX60202SC
Patio Set - Half Cylinder Only	Black	PSX60204B
Patio Set - Half Cylinder Only	Special	PSX60204SPEC
Patio Set - Half Cylinder Only	Satin Chrome	PSX60204SC
Patio Set - Half Turnknob Only	Black	PSX60203B
Patio Set - Half Turnknob Only	Special	PSX60203SPEC
Patio Set - Half Turnknob Only	Satin Chrome	PSX60203SC



Description

Finish

Part Number

## Optimum Mortice Sliding Door 1-Point Kits continued...

### PALLADIUM KITS - 35MM BACKSET, 23MM FEP, INCLUDES ADJUSTABLE STRIKE



TRADE PACK		
Double Cylinder	Black	PS60124B
Double Cylinder	Special	PS60124SPEC
Double Cylinder	Satin Chrome	PS60124SC



Cylinder and Turnknob	Black	PS60102B
Cylinder and Turnknob	Special	PS60102SPEC
Cylinder and Turnknob	Satin Chrome	PS60102SC



Patio Set - Half Cylinder Only	Black	PS60104B
Patio Set - Half Cylinder Only	Special	PS60104SPEC
Patio Set - Half Cylinder Only	Satin Chrome	PS60104SC



Patio Set - Half Turnknob Only	Black	PS60103B
Patio Set - Half Turnknob Only	Special	PS60103SPEC
Patio Set - Half Turnknob Only	Satin Chrome	PS60103SC

### PALLADIUM KITS - 30MM BACKSET, 23MM FEP, INCLUDES ADJUSTABLE STRIKE



TRADE PACK		
Double Cylinder	Black	PS60024B
Double Cylinder	Special	PS60024SPEC
Double Cylinder	Satin Chrome	PS60024SC



Cylinder and Turnknob	Black	PS60002B
Cylinder and Turnknob	Special	PS60002SPEC
Cylinder and Turnknob	Satin Chrome	PS60002SC



Patio Set - Half Cylinder Only	Black	PS60004B
Patio Set - Half Cylinder Only	Special	PS60004SPEC
Patio Set - Half Cylinder Only	Satin Chrome	PS60004SC

Description	Finish	Part Number
-------------	--------	-------------

## Optimum Mortice Sliding Door 1-Point Kits continued...

### PALLADIUM KITS - 30MM BACKSET, 23MM FEP, INCLUDES ADJUSTABLE STRIKE CONTINUED...



Patio Set - Half Turnknob Only	Black	PS60003B
Patio Set - Half Turnknob Only	Special	PS60003SPEC
Patio Set - Half Turnknob Only	Satin Chrome	PS60003SC

### PALLADIUM KITS - 40MM BACKSET, 23MM FEP, INCLUDES ADJUSTABLE STRIKE



TRADE PACK		
Double Cylinder	Black	PS60224B
Double Cylinder	Special	PS60224SPEC
Double Cylinder	Satin Chrome	PS60224SC



Cylinder and Turnknob	Black	PS60202B
Cylinder and Turnknob	Special	PS60202SPEC
Cylinder and Turnknob	Satin Chrome	PS60202SC



Patio Set - Half Cylinder Only	Black	PS60204B
Patio Set - Half Cylinder Only	Special	PS60204SPEC
Patio Set - Half Cylinder Only	Satin Chrome	PS60204SC



Patio Set - Half Turnknob Only	Black	PS60203B
Patio Set - Half Turnknob Only	Special	PS60203SPEC
Patio Set - Half Turnknob Only	Satin Chrome	PS60203SC

## Optimum Morticed Sliding Door Lock Bodies

### 1-POINT LOCK BODIES



TRADE PACK		
35mm Backset, 23mm FEP	Stainless Steel	OP60100
30mm Backset, 23mm FEP	Stainless Steel	OP60000
40mm Backset, 23mm FEP	Stainless Steel	OP60200



Description

Finish

Part Number

## Optimum Morticed Sliding Door Lock Bodies continued...

### 3-POINT LOCK BODIES



TRADE PACK		
35mm Backset, 23mm FEP	Stainless Steel	OP60500
30mm Backset, 23mm FEP	Stainless Steel	OP30/3SDN/SS
40mm Backset, 23mm FEP	Stainless Steel	OP60600

## Optimum Morticed Sliding Door Accessories

### STRIKE



TRADE PACK		
Adjustable Strike	Stainless Steel	P33600
Non Adjustable Strike	Stainless Steel	PQ70188

### FOREND PLATE



TRADE PACK		
Retrofit Forend Plate	Stainless Steel	PQ70183

### ESCUTCHEONS



TRADE PACK		
Palladium Xtra	Black	PA1103B
Palladium Xtra	Special	PA1103SPEC
Palladium Xtra	Satin Chrome	PA1103SC
Palladium	Black	PA1102B
Palladium	Special	PA1102SPEC
Palladium	Satin Chrome	PA1102SC

Description	Finish	Part Number
-------------	--------	-------------

## Sliding Door Accessories

### Sliding Door Closer/Latch

#### SLIDING DOOR CLOSER



##### DISPLAY PACK

Sliding Door Closer with Latch	Silver	L7714SDSIL
--------------------------------	--------	------------

#### SLIDING DOOR LATCH



##### TRADE PACK

	Black	SDL710B
	Special	SDL710SPEC

## Hinged & Sliding Door Accessories

**INTERLOCK™**

### Door Stops

#### DESIGNED TO CUSHION THE HIGH IMPACT OF THE SLIDING DOOR OR WINDOW



##### TRADE PACK

Pacific Doorstop	Black	2306B
Pacific Doorstop	Special	2306(SPEC)



Sliding Doorstop	Black	2315
------------------	-------	------



2 Piece Doorstop (100/Pack)		3112
-----------------------------	--	------



Doorstop with Buffer (200/Pack)		3131
---------------------------------	--	------

#### COMPONENTS



##### TRADE PACK

Rubber Buffer - 10mm (200/Pack)		5911
---------------------------------	--	------

Description	Finish	Part Number
-------------	--------	-------------

## Roller Carriages



### Adjustable Carriage

ROLLER CARRIAGES FOR ALUMINIUM, TIMBER OR UPVC HORIZONTAL SLIDING DOORS



TRADE PACK		
25kg	Black	30100B
25kg	Special	30100(SPEC)



50kg	Black	30150B
50kg	Special	30150(SPEC)



50kg - S/S Roller	Black	30160
-------------------	-------	-------

### Standard Door Roller

ROLLER CARRIAGES FOR ALUMINIUM, TIMBER OR UPVC HORIZONTAL SLIDING DOORS



TRADE PACK		
25kg		30200
50kg		30250
50kg - S/S Roller		30260

### Other

ROLLER CARRIAGES FOR ALUMINIUM, TIMBER OR UPVC HORIZONTAL SLIDING DOORS



TRADE PACK		
Roller Carriage, 100kg, Side Adjusting		30130



Fixed Roller Carriage		30305
-----------------------	--	-------



25kg - Replacement Roller Wheel		1981
---------------------------------	--	------

# Aria Endeavour Sliding Door Lock

**INTERLOCK™**  
**ASSA ABLOY**

ASSA ABLOY, the global leader  
in door opening solutions.



Suitable for use with aluminium, timber or uPVC horizontal sliding doors, the Aria Endeavour Surface Mounted Sliding Door Lock incorporates enhanced security and safety features. Styling cues are taken from the Aria design, enabling a consistent look throughout the home.

## Features

- Red deadlock indicator on internal handle activates when key deadlocked (deadlocking version only)
- Opposing anti-lift beaks for added security
- Anti-slam pin protects locking beaks from accidental damage
- Retrofittable - easily replaces most sliding door locks
- Non-handed lock chassis with intuitive downward snib motion to unlock
- Available with internal D handle or internal Pull
- Can be keyed alike to other ASSA ABLOY CYL4™ 5-Pin locks for one key convenience
- Achieves Australian Standards AS4145:1993 (Part 2) Security Level S1 and Durability Level D3
- New Zealand made

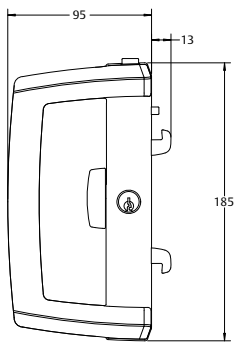
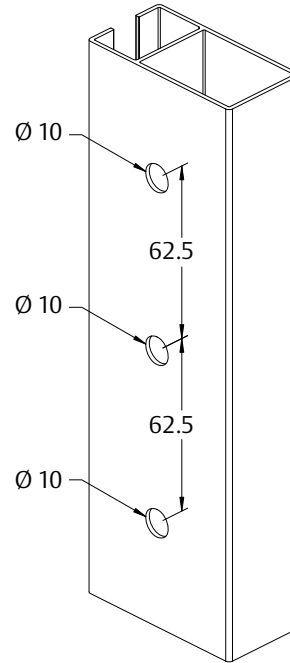
## Options

- Double cylinder deadlocking with Daylatch and deadlocking indicator
- Single cylinder locking with snib
- Trade pack range has additional locking options with D and Slim Pull handles, in a full range of powdercoat and plated finishes

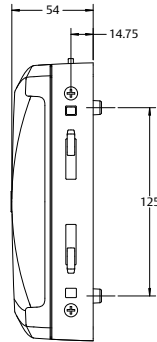
# Aria Endeavour

## Sliding Door Lock

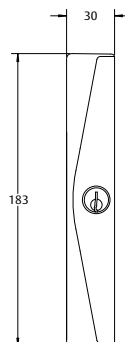
**INTERLOCK™**  
**ASSA ABLOY**



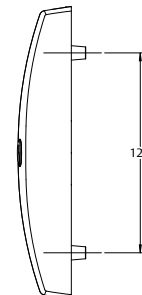
Interior D-Handle



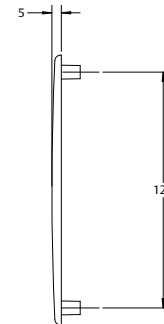
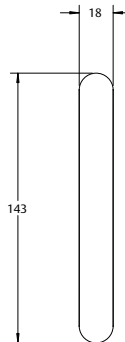
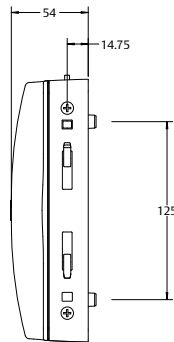
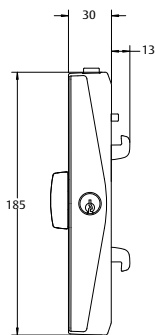
Interior Pull



Exterior Pull



Exterior Cover Plate



EXP-FLY-014-0410NZ

ASSA ABLOY New Zealand Ltd.  
PO Box 100407, North Shore  
North Shore City 0745

6 Armstrong Road, Albany  
North Shore City 0632  
New Zealand

Within New Zealand:  
Tel 09 415 8031  
Fax 0800 478 297  
[www.assaabloy.co.nz](http://www.assaabloy.co.nz)

Outside New Zealand:  
Tel +64 9 921 7630  
Fax +64 9 921 6504  
[www.assaabloy.co.nz](http://www.assaabloy.co.nz)

ASSA ABLOY, the global leader  
in door opening solutions.

# Albany Endeavour Sliding Door Lock

**INTERLOCK™**  
**ASSA ABLOY**

ASSA ABLOY, the global leader  
in door opening solutions.



ASSA ABLOY have combined the iconic Albany furniture styling with the superior features of the Endeavour Surface Mounted Sliding Door Lockbody to create the Albany Endeavour. The Albany Endeavour offers improved functionality and performance, meeting Australasian standards in both security and durability. Easily retrofittable, and suitable for use with aluminium, timber or uPVC, the Albany Endeavour is the ideal choice for sliding door applications.

## Features

- Red deadlock indicator on internal handle activates when key deadlocked (deadlocking version only)
- Opposing anti-lift beaks for added security
- Anti-slam pin protects locking beaks from accidental damage
- Retrofittable - easily replaces most sliding door locks and aesthetically matches original Albany handle
- Non-handed lock chassis with intuitive downward snib motion to unlock
- Can be keyed alike to other ASSA ABLOY CYL4™ 5-Pin locks for one key convenience
- Achieves Australian Standards AS4145:1993 (Part 2) Security Level S1 and Durability Level D3
- New Zealand made

## Options

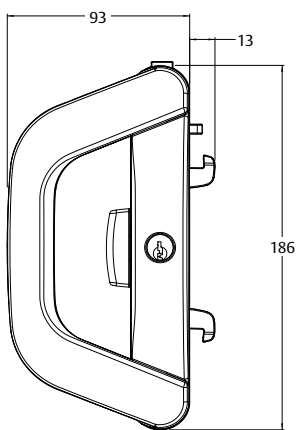
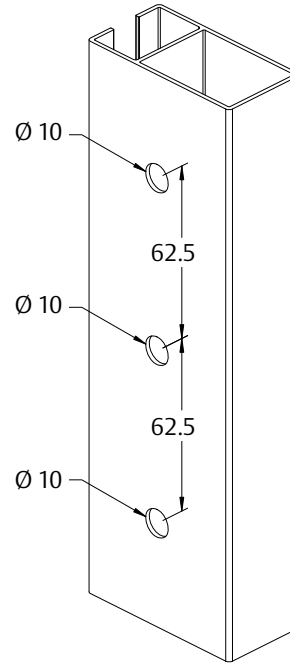
- Double cylinder deadlocking with Daylatch and deadlocking indicator
- Single cylinder locking with snib
- Trade pack range has additional locking options, in a full range of powdercoat and plated finishes



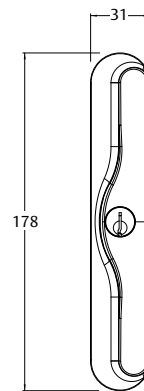
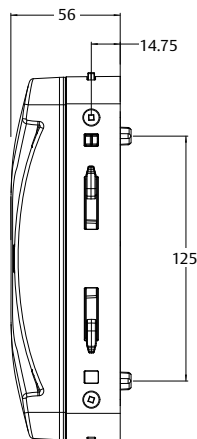
# Albany Endeavour

## Sliding Door Lock

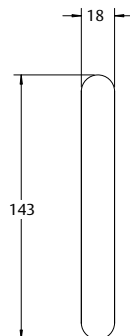
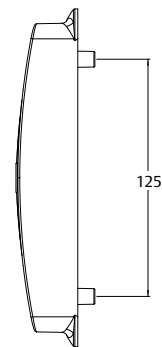
**INTERLOCK™**  
**ASSA ABLOY**



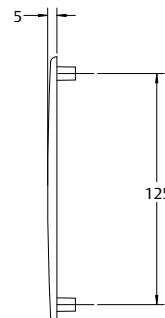
Interior D-Handle



Exterior Pull



Exterior Cover Plate



**Note:** For an Interior Pull/Exterior Pull option refer to the Aria Endeavour Sliding Door Lock

ASSA ABLOY New Zealand Ltd.  
PO Box 100407, North Shore  
North Shore City 0745

6 Armstrong Road, Albany  
North Shore City 0632  
New Zealand

Within New Zealand:  
Tel 09 415 8031  
Fax 0800 478 297  
[www.assaabloy.co.nz](http://www.assaabloy.co.nz)

Outside New Zealand:  
Tel +64 9 921 7630  
Fax +64 9 921 6504  
[www.assaabloy.co.nz](http://www.assaabloy.co.nz)

ASSA ABLOY, the global leader  
in door opening solutions.



# Albany SBML 4-Point

INTERLOCK™

ASSA ABLOY

ASSA ABLOY, the global leader  
in door opening solutions.



Combining the very popular Albany furniture styling with a concealed mortice style lockset, the Albany Mortice range of locks offers the ultimate in residential sliding door hardware. The high security 4-point locks are simple to operate, incorporating a one-action lock or unlock mode, and can be supplied in a wide range of finishes and keying options. Suitable for use with aluminium, timber or uPVC horizontal sliding doors and windows.

## Features

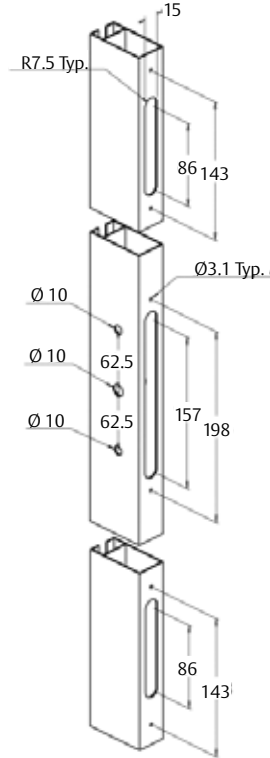
- The high security 4-point lock provides an extremely high level of resistance to forced entry
- Contemporary styling combined with the concealed morticed lockset provides enhanced aesthetics
- Fully reversible for left or right-handed doors
- Four locking beaks prevent door being lifted from the track
- One locking action activates up to four locking points
- Anti-slam button prevents operation of the handle when the door is open, avoiding damage to the mechanism
- Unique red indicator on the deadlock shows when the door is unlocked
- Can be keyed alike to other ASSA ABLOY CYL4™ locks for one key convenience
- New Zealand made

## Options

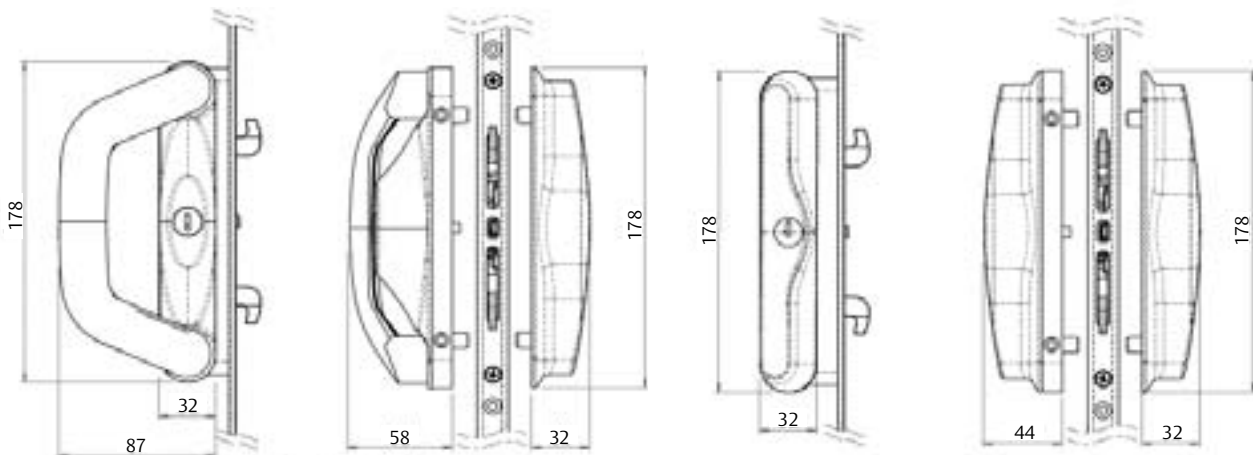
- Double cylinder deadlocking with Daylatch
- Single cylinder locking with snib
- Additional locking options available
- Available in a wide range of powdercoat colours and satin chrome finish



# Albany SBML 4-Point



**Note:** Non-standard screws are required for door stile widths in excess of 56mm



Albany Grip - Standard External Pull

Standard External Pull Inside and Out

RES-ELY-047 04-10NZ

# Albany SBML 2-Point

INTERLOCK™

ASSA ABLOY

ASSA ABLOY, the global leader  
in door opening solutions.



Combining the very popular Albany furniture styling with a concealed mortice style lockset, the Albany Mortice range of locks offers the ultimate in residential sliding door hardware. The Albany Mortice range is simple to operate and incorporates a one-action lock or unlock mode. It is supplied in a wide range of finishes and keying options. Suitable for use with aluminium, timber or uPVC horizontal sliding doors and windows.

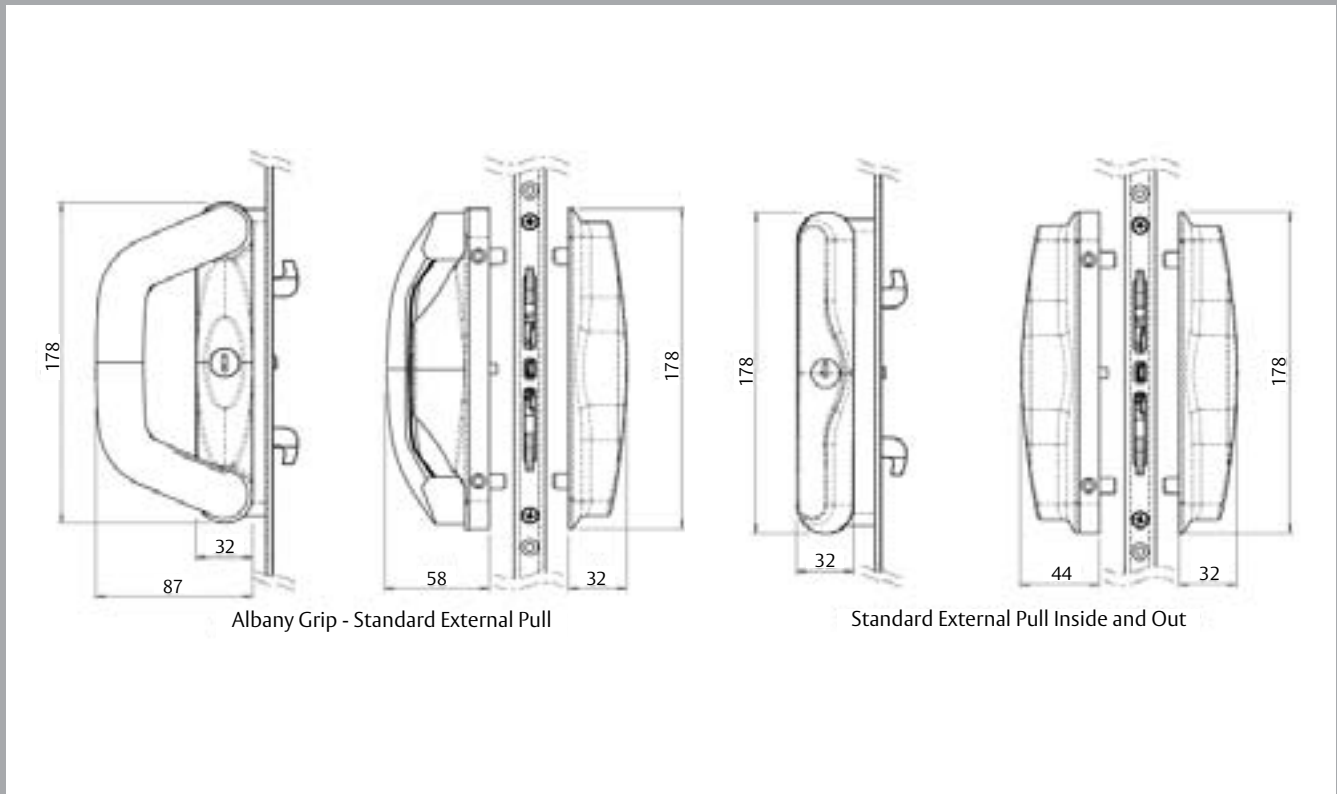
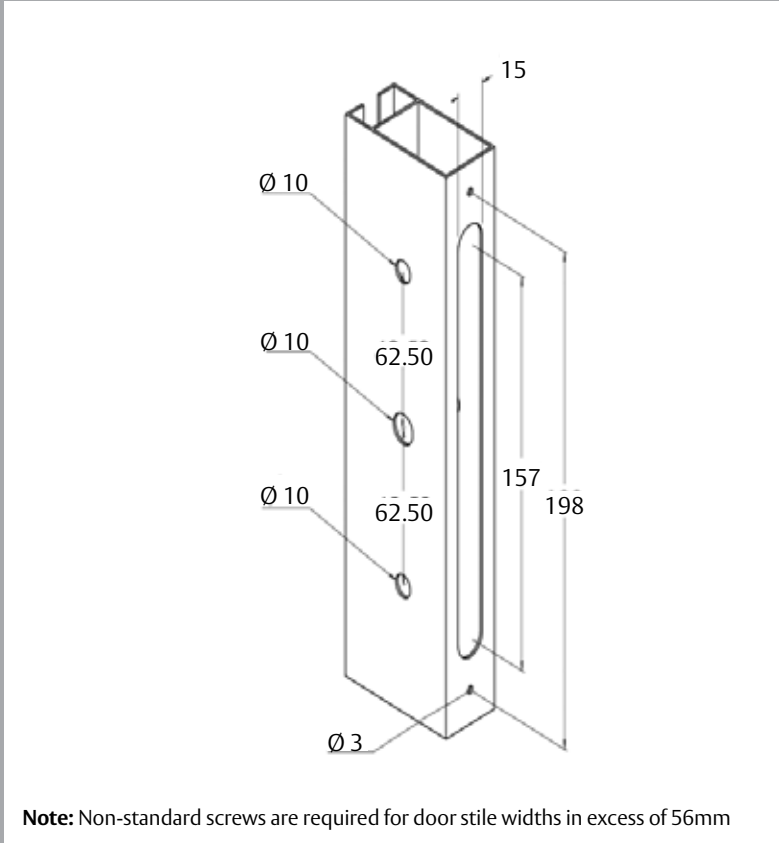
## Features

- Contemporary styling combined with the concealed morticed lockset provides enhanced aesthetics
- 2-point locking activated from one action
- Fully reversible for left or right-handed doors
- Anti-slam button prevents operation of the handle when the door is open, avoiding damage to the mechanism
- Opposing twin beaks prevent door being lifted from the track
- Unique red indicator on the deadlock shows when the door is unlocked
- Can be keyed alike to other ASSA ABLOY CYL4™ locks for one key convenience
- New Zealand made

## Options

- Double cylinder deadlocking with Daylatch
- Single cylinder locking with snib
- Additional locking options available
- Available in a wide range of powdercoat colours and satin chrome finish

# Albany SBML 2-Point



RES-ELY-048-04-10NZ



# Willo SBML 2-Point

INTERLOCK™

ASSA ABLOY

ASSA ABLOY, the global leader  
in door opening solutions.



ASSA ABLOY has developed a safe, reliable and robust mortice locking mechanism and handle set range called the Willo. Designed specifically for the security conscious, the Willo is in line with leading architectural innovations requiring a slim appearance. The 2-point locking option has twin beaks and is suitable for use with aluminium, timber or uPVC horizontal sliding doors and windows.

## Features

- Opposing beaks prevent door being lifted from track by intruders
- Anti-slam button prevents damage to the latching beaks if the door is slammed ensuring longer life with ease of locking
- Fully reversible for left or right-handed doors
- Unique red indicator on the deadlock shows when the door is unlocked.
- Can be keyed alike to other ASSA ABLOY CYL4™ locks for one key convenience
- New Zealand made

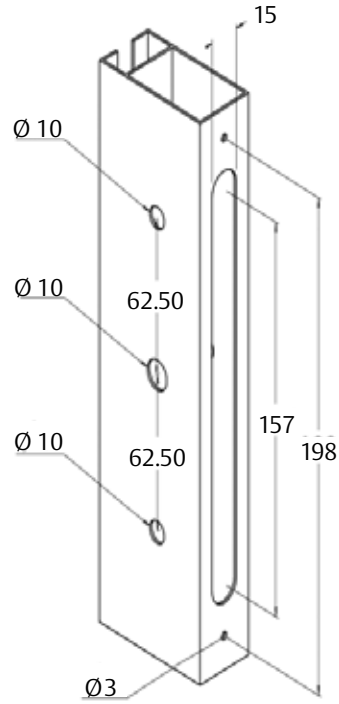
## Options

- Double cylinder deadlocking with Daylatch
- Single cylinder locking with snib
- Additional locking options available
- Available in a wide range of powdercoat colours and satin chrome finish

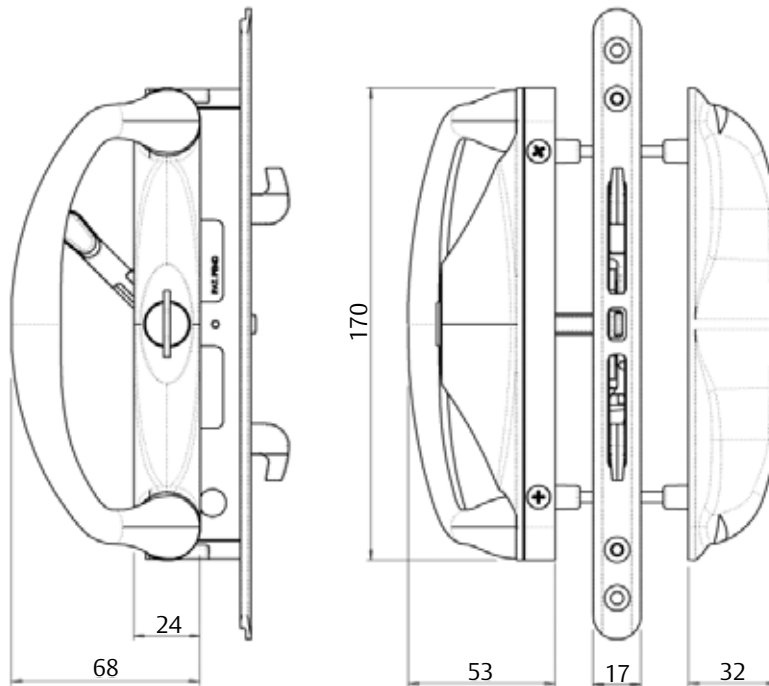
# Willo SBML 2-Point

**INTERLOCK™**

**ASSA ABLOY**



**Note:** Non-standard screws are required for door stile widths in excess of 56mm



RES-FLY-049 04 10NZ

ASSA ABLOY New Zealand Ltd.  
PO Box 100407, North Shore  
North Shore City 0745

6 Armstrong Road, Albany  
North Shore City 0632  
New Zealand

Within New Zealand:  
Tel 09 415 8031  
Fax 0800 478 297  
[www.assaabloy.co.nz](http://www.assaabloy.co.nz)

Outside New Zealand:  
Tel +64 9 921 7630  
Fax +64 9 921 6504  
[www.assaabloy.co.nz](http://www.assaabloy.co.nz)

ASSA ABLOY, the global leader  
in door opening solutions.

# Endeavour SBML

INTERLOCK™

ASSA ABLOY

ASSA ABLOY, the global leader  
in door opening solutions.



Combining the very popular Aria furniture styling with a concealed mortice style backset, the Endeavour Mortice lock offers the ultimate in residential sliding door hardware. The Endeavour mortice range is simple to operate, requires a single action to lock or unlock, and can be supplied in a wide range of finishes and keying options. Suitable for use with aluminium, timber or uPVC horizontal sliding doors and windows.

## Features

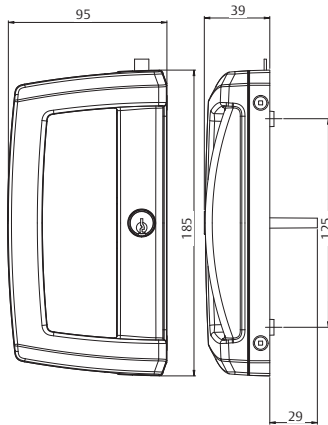
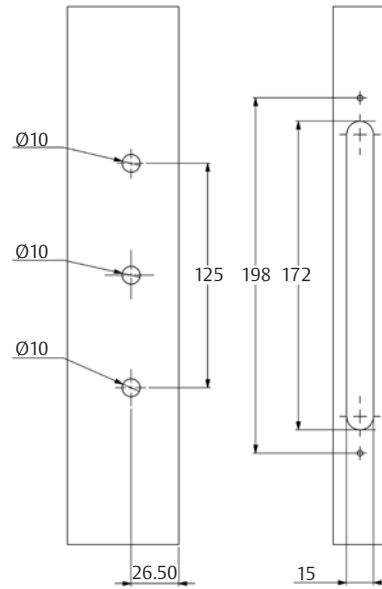
- Contemporary Aria styling combined with the concealed morticed lockset provides enhanced aesthetic styling and appearance
- One locking action activates two locking points
- Maximum door stile width 45mm
- Fully reversible for left or right-handed doors
- Anti-slam button prevents operation of the handle when the door is open, avoiding damage to the mechanism
- Opposing twin beaks prevent door being lifted from the track
- Unique red indicator on the deadlock shows when the door is locked
- Available in a full range of powdercoat and plated finishes
- Can be keyed alike to other Interlock supplied locks and a selection of security products as part of Interlock's "One Key" security programme
- Snib action always up to lock on left handed or right handed doors. Same action as Endeavour surface mounted locks

## Options

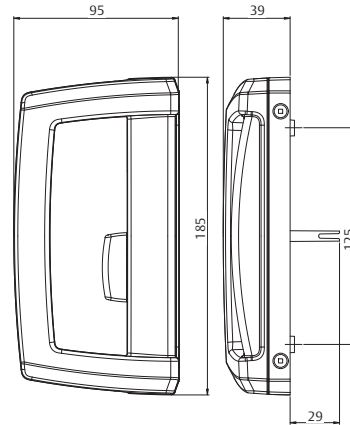
- Non-locking
- Locking
- Deadlocking
- Deadlocking inside only with Securiturn
- Dummy

# Endeavour

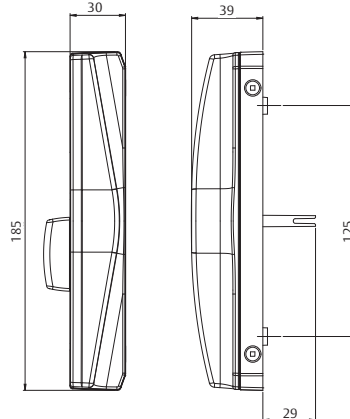
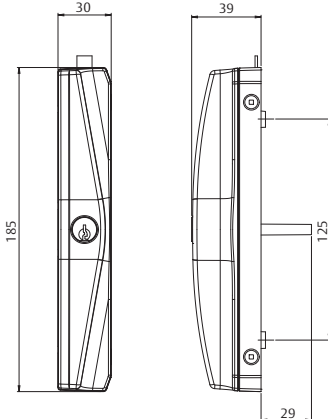
## SBML



Double Cylinder



Snib & Cylinder



RES-FLY-020 0310NZ



# Optimum Mortice Sliding Door Lock

**INTERLOCK™**  
**ASSA ABLOY**

ASSA ABLOY, the global leader  
in door opening solutions.



The Optimum Mortice Sliding Door Lock has been developed with features designed to significantly improve functionality in sliding door applications. The lock features the unique security of a single deadbolt with dual flyout beaks, preventing the door from being lifted. Kits are available with a Palladium Xtra or Palladium styled escutcheon which allows furniture continuity throughout the home.

## Features

- Deadbolt locking
- Anti-lift design
- Anti-slam pin protects accidental damage to throw prior to door closure
- LockAlert™ indicator shows at a glance if the door has been deadlocked (Palladium Xtra)
- Adjustable Strike
- Stainless steel forend plate
- Can be keyed alike to other ASSA ABLOY CYL4™ 5-Pin locks for one key convenience
- Achieves Australian Standards AS4145:1993 (Part 2) Security Level S1 and Durability Level D3
- Compatible with a range of Euro Cylinders
- Identical standard routing details to other Optimum Mortice Locks
- New Zealand made

## Options

- Available with 30, 35 or 40mm backset
- Retrofittable forend plate available for use where ISEO 7814 is being replaced
- Double cylinder, cylinder and turnknob, half cylinder or half turnknob
- 3-Point version available for extra security



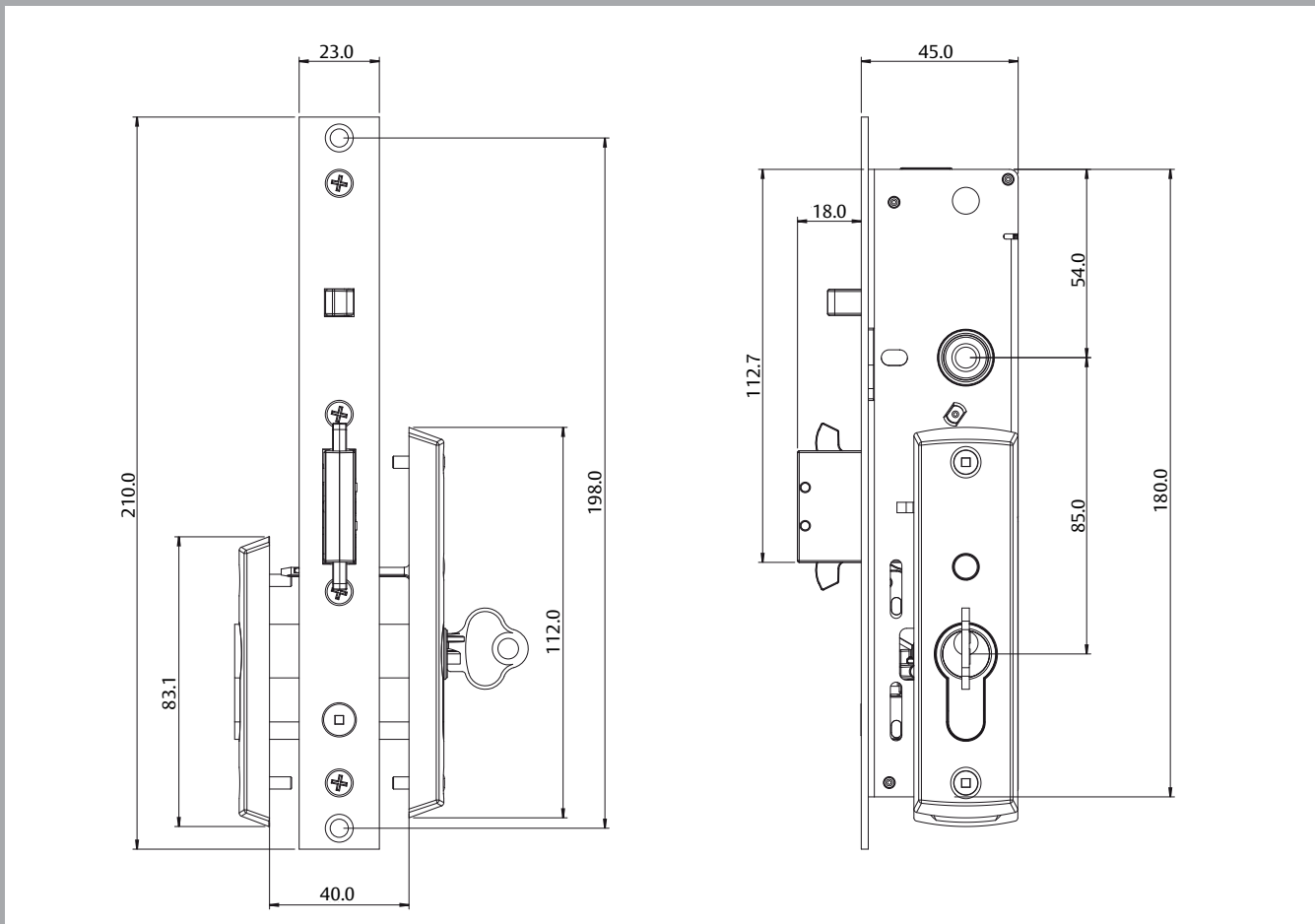
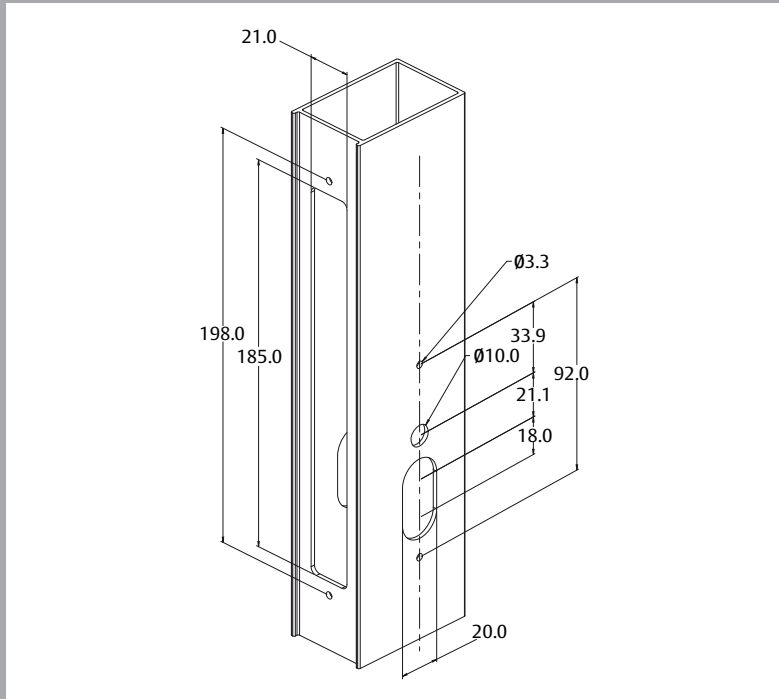


# Optimum Mortice

## Sliding Door Lock

INTERLOCK™

ASSA ABLOY



EXP-FEY-013 0410NZ

ASSA ABLOY New Zealand Ltd.  
PO Box 100407, North Shore  
North Shore City 0745

6 Armstrong Road, Albany  
North Shore City 0632  
New Zealand

Within New Zealand:  
Tel 09 415 8031  
Fax 0800 478 297  
[www.assaabloy.co.nz](http://www.assaabloy.co.nz)

Outside New Zealand:  
Tel +64 9 921 7630  
Fax +64 9 921 6504  
[www.assaabloy.co.nz](http://www.assaabloy.co.nz)

ASSA ABLOY, the global leader  
in door opening solutions.

# Sliding Door Closer

ASSA ABLOY

ASSA ABLOY, the global leader  
in door opening solutions.

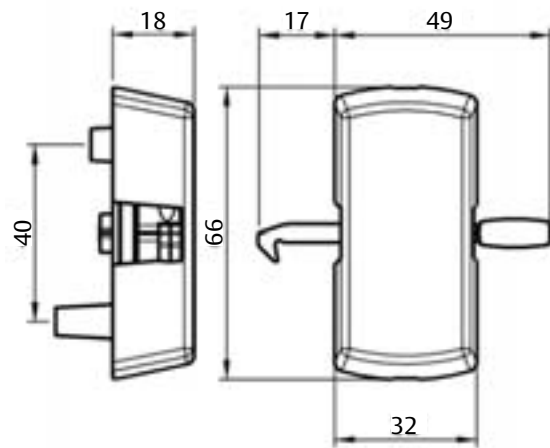
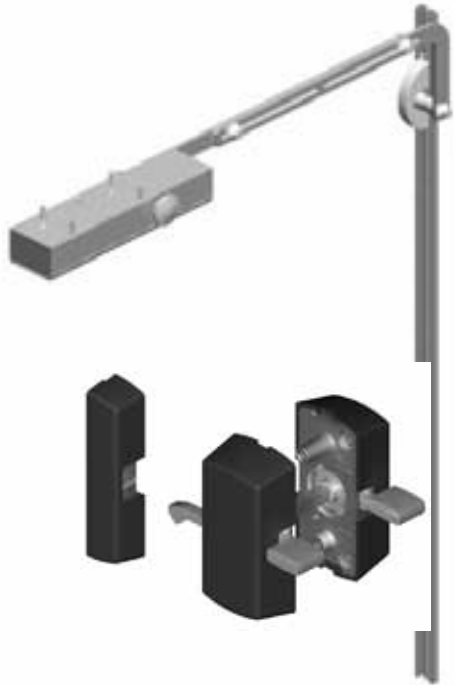
Incorporating innovative and modern design, ASSA ABLOY has provided a solution for home owners who desire safe outdoor flow without the hassle of a fence between the house and swimming pool.

The Sliding Door Closer is hydraulically controlled and can be installed on new doors or retrofitted to most existing doors. Providing safety and convenience, the closer has been designed for easy use and is available in the popular millennium silver finish.

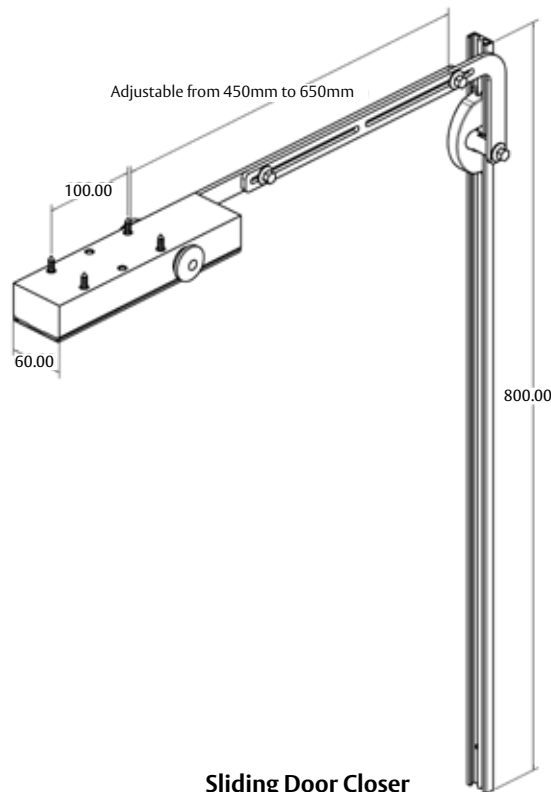
## Features

- Adjustable closing and latching speeds, adding to safety
- Backcheck for added safety on closing
- Suitable for installation on smooth running roller supported sliding doors
- Supports up to 60kg door weight
- Suits up to 2500mm high
- Suits up to 1200mm closing range
- Minimum reveal depth (door frame thickness) 80mm
- The self latching device provides access from both sides of the door. It is included in every Sliding Door Closer purchase or can be purchased separately





**Self Latching Device**  
(suits door thickness 25-36mm)



**Sliding Door Closer**

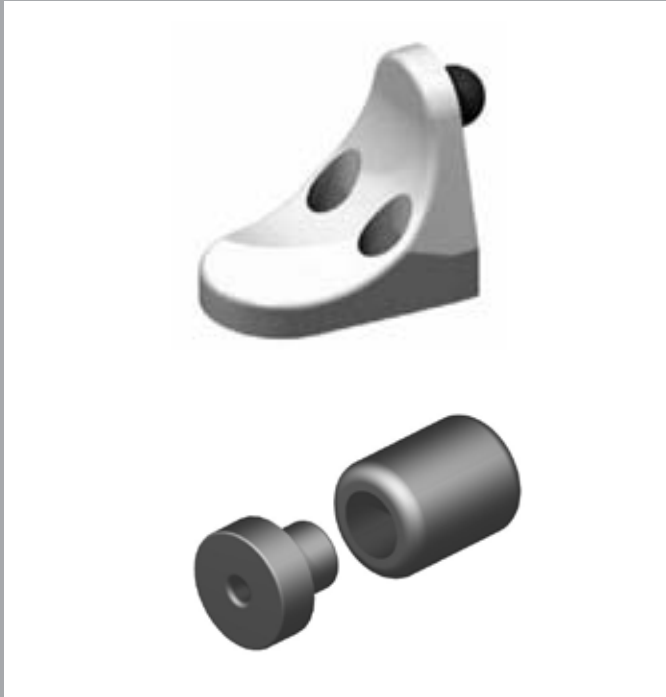
RES-FLY-063-0410NZ

# Doorstops

## Hinged and Sliding Door Accessories

**INTERLOCK™**

**ASSA ABLOY**



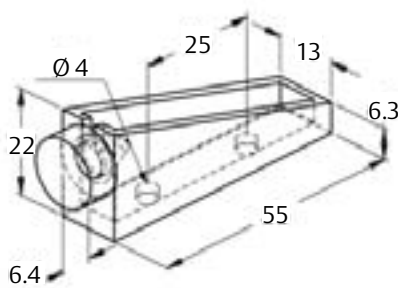
Doorstops are designed to cushion the high impact of a sliding door or window. For use with aluminium, timber or uPVC sliding doors and windows.

### Features:

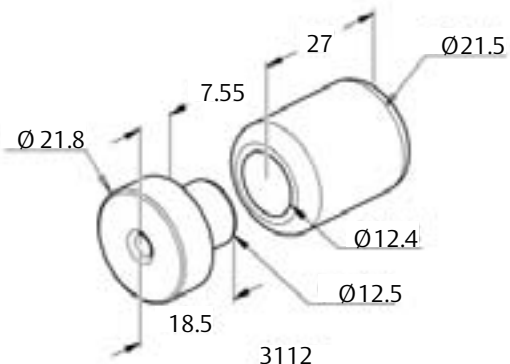
- Manufactured from high quality materials to provide a long-life effective doorstop
- The standard finish is black – other colours are available on special order
- New Zealand made

### Options:

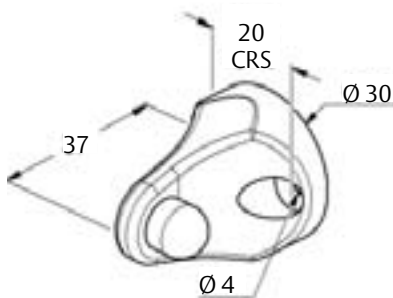
- Options available to suit most application requirements and ease of installation



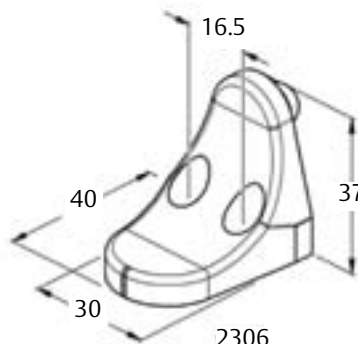
3131



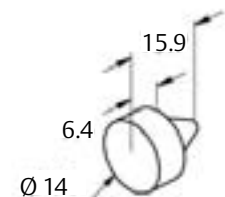
3112



2315



2306



5911



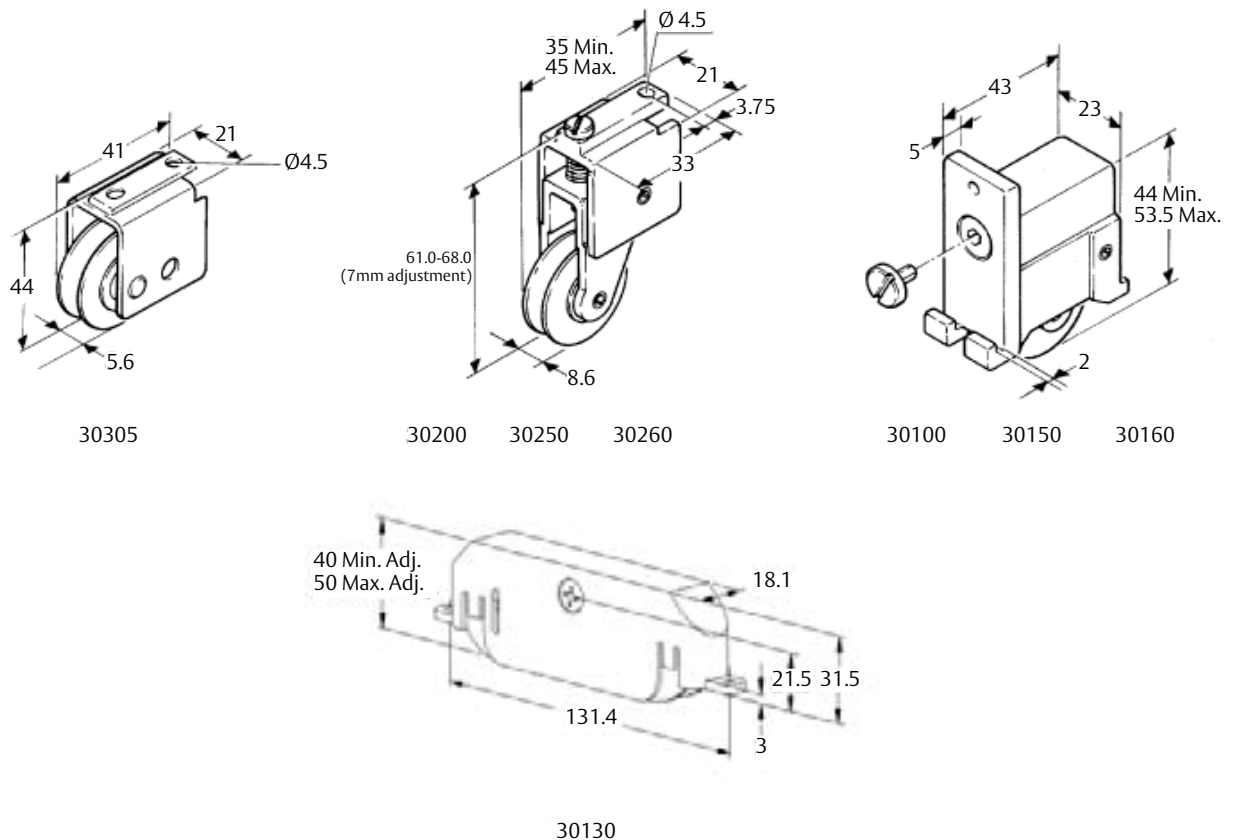
Interlock provides a range of roller carriages designed to support and transport aluminium, timber or uPVC horizontal sliding doors. Manufactured to a high degree of accuracy from material pre-treated prior to applying the finish in order to resist corrosion.

### Features:

- Each roller carriage wheel is inserted with a lubricated sealed ball bearing race to ensure a long, maintenance-free life
- The roller carriage (30100, 30150 and 30160) has the unique feature of being capable of interior or exterior stile mounting and when installed may be fully adjusted in either position
- The tyre profile of the wheel centralises the door panel about the track, providing a smooth, quiet sliding action
- All adjustable models of roller carriages provide easily accessible, on-site, finite alignment of the door panel
- New Zealand made

### Options:

- Adjustable nylon carriage: 25kg, 50kg and 50 kg stainless steel roller
- Standard nylon door roller : 25kg, 50kg and 50kg stainless steel roller
- Fixed roller carriage with up to 25 kg carrying capacity
- Side adjusting roller carriage with up to 100kg carrying capacity
- Replacement roller wheel 25kg







# SECTION F

HINGED DOOR HARDWARE

HINGED DOOR  
HARDWARE

F

## SECTION F HINGED DOOR HARDWARE

PAGE NUMBER

**Keying Options****1 - 3**

Keys	1 - 2
Keying Services	3

**Optimum Locksets****4 - 20**

Optimum Mortice Lock 4-Point Kits	4 - 9
Optimum 4-Point Lock Bodies	9
Optimum 4-Point Strikes and Accessories	10 - 11
Optimum Mortice Lock 2-Point Kits	12 - 17
Optimum 2-Point Lock Bodies	18
Optimum 2-Point Accessories	18
Optimum Mortice Lock 1-Point Kits	19
Optimum 1-Point Lock Bodies	19
Optimum 1-Point Accessories	20

**Twin Bolt French Door Locksets****21**

Twin Bolt French Door Locksets	21
--------------------------------	----

**Pull Handle Locksets****22 - 24**

Pull Handle Styles	22
Pull Handle Sets	22 - 24
Pull Handle Accessories	24

**Key In Knob Sets****25 - 34**

Key In Knob Handle Types & Styles	25
Queen Lever Handing Guide	25
Capri Entrance Handle Sets	25 - 26
Mayfair Entrance Handle Sets	27 - 28
Orbit Combo Entrance Sets - Residential	28
Orbit Entrance Handle Sets - Residential	29 - 30
Orbit Entrance Handle Sets - Commercial	31
Hawthorn Combo Entrance Sets	32
Hawthorn Entrance Handle Sets	32 - 33
Queen Combo Entrance Sets	33
Queen Entrance Handle Sets	33 - 34

## SECTION F HINGED DOOR HARDWARE

PAGE NUMBER

**Handle Sets****35 - 39**

Palladium Handle Styles

35

Palladium Xtra

35

Palladium

36 - 37

Verona

38 - 39

**Digital Entrance Set****40**

Securilock Digital Entrance Set

40

Securilock Digital Entrance Set Components

40

**Cylinders****41 - 46**

Euro Cylinders

41 - 45

Oval Cylinders

45

Rim Cylinders

46



Description	Finish	Part Number
-------------	--------	-------------

## Keying Options

**INTERLOCK™**

### Keys

#### 5-PIN KEYS



TRADE PACK		
Cut to Sample or Interlock Key Number (i.e. J001)		KC5PIN

#### 6-PIN KEYS



TRADE PACK		
Cut to Sample or Interlock Key Number (i.e. K001)		KC6PIN

*Note: G and H series cylinders are still available; made-to-order and keying charges apply.*

#### CONSTRUCTION KEYS



TRADE PACK		
Cut to Sample or Interlock Key Number		CK

#### CYL4 CYLINDER KEYS



TRADE PACK		
Key Blanks for Securicraft CYL4 Product		M1798KB

#### SECURITURN REMOVABLE THUMBTURN STANDARD CAP (29MM X 15.5MM) - INCLUDES RELEASE KEY



TRADE PACK		
MC35 cut to 5-Pin Sample*	Satin Chrome	KCMC35L5SC
MC35 cut to 5-Pin Sample*	Polished Brass	KCMC35L5PB
MC35 cut to 5-Pin Sample*	Special	KCMC35L5SPEC
<i>*Or Interlock Key Number</i>		
MC35 cut to 6-Pin Sample*	Satin Chrome	KCMC35L6SC
MC35 cut to 6-Pin Sample*	Polished Brass	KCMC35L6PB

*\*Or Interlock Key Number*

Description	Finish	Part Number
-------------	--------	-------------

## Keys continued...

### SECURITURN REMOVABLE THUMBTURN LOW PROFILE CAP - INCLUDES RELEASE KEY



TRADE PACK		
MC35 LP cut to 5-Pin Sample*	Satin Chrome	KCMC35LPL5SC
MC35 LP cut to 5-Pin Sample*	Polished Brass	KCMC35LPL5PB
MC35 LP cut to 5-Pin Sample*	Special	KCMC35LPL5SPEC
<i>*Or Interlock Key Number</i>		
MC35 LP cut to 6-Pin Sample*	Satin Chrome	KCMC35LPL6SC
MC35 LP cut to 6-Pin Sample*	Polished Brass	KCMC35LPL6PB
<i>*Or Interlock Key Number</i>		

### SECURITURN ACCESSORIES



TRADE PACK		
Standard Cap	Black	35CAPB
Standard Cap	Special	35CAP(SPEC)
Standard Cap	Satin Chrome	35CAPSC
Standard Cap	Polished Brass	35CAPPB
Low Profile Cap and Insert	Satin Chrome	35CAPLPSC
Release Key		35RK

Description	Finish	Part Number
-------------	--------	-------------

## Keying Services

### REKEYING



TRADE PACK		
<b>5 or 6-Pin Single Cylinder</b>		
Keying Alike to Sample Key or Key No.		REKEY1CYL
<i>Note: Include 2 keys per cylinder</i>		
<b>5 or 6-Pin Double Cylinder</b>		
Keying Alike to Sample Key or Key No.		REKEY2CYL
<i>Note: Include 2 keys per cylinder</i>		

### CONSTRUCTION KEYING



TRADE PACK		
LW4 compatible pin tumbler cylinders for 5 or 6-pin cylinders		CONKEY
<i>Note: Includes 4 servant keys per house lot.</i>		

### MASTER KEYING



TRADE PACK		
<b>For Motels, Hotels and Commercial Applications Grand Master Keying, Master Keying, Keyed Alike &amp; Keyed to Differ</b>		
Double Cylinder - with 2 Servant Keys		MASTERKEYDC
Single Cylinder - with 2 Servant Keys		MASTERKEY
<i>Note: Includes 2 x GMK and/or MK keys, 2 x Servant Keys per KA group or KD lock</i>		
Rekeying CYL4 Cylinder (excluding keys)		REKEYC4

Description	Finish	Part Number
-------------	--------	-------------

## Optimum Locksets



### Optimum Mortice Lock 4-Point Kits

#### PALLADIUM XTRA (WITH LOCKALERT AND SNIB) KITS - 30MM BACKSET, SHORT THROW, 4-POINT



TRADE PACK		
Double Cylinder	Black	PX5080127B
Double Cylinder	Special	PX5080127SPEC
Double Cylinder	Satin Chrome	PX5080127SC

NB: Palladium Xtra Furniture is available with Aria styled handle only

#### PALLADIUM XTRA (WITH LOCKALERT AND SNIB) KITS - 40MM BACKSET, SHORT THROW, 4-POINT



TRADE PACK		
Double Cylinder	Black	PX5090127B
Double Cylinder	Special	PX5090127SPEC
Double Cylinder	Satin Chrome	PX5090127SC

NB: Palladium Xtra Furniture is available with Aria styled handle only

#### \*PALLADIUM KITS - 30MM BACKSET, SHORT THROW, 4-POINT



TRADE PACK		
Double Cylinder	Black	PL50801##B
Double Cylinder	Special	PL50801##SPEC
Double Cylinder	Satin Chrome	PL50801##SC



Cylinder and Turnknob	Black	PL50802##B
Cylinder and Turnknob	Special	PL50802##SPEC
Cylinder and Turnknob	Satin Chrome	PL50802##SC



Patio Set - Half Cylinder Only	Black	PL50803##B
Patio Set - Half Cylinder Only	Special	PL50803##SPEC
Patio Set - Half Cylinder Only	Satin Chrome	PL50803##SC



Patio Set - Half Turnknob Only	Black	PL50804##B
Patio Set - Half Turnknob Only	Special	PL50804##SPEC
Patio Set - Half Turnknob Only	Satin Chrome	PL50804##SC

\*Replace ## with: 27 = Aria 28 = Hakea 29 = Acacia 34 = Saltbush L1 = Summit L2 = Spire. Refer to page F35 for more detail.

Description

Finish

Part Number

## Optimum Mortice Lock 4-Point Kits continued...

### \*PALLADIUM KITS - 30MM BACKSET, LONG THROW, 4-POINT



TRADE PACK		
Double Cylinder	Black	PL51101##B
Double Cylinder	Special	PL51101##SPEC
Double Cylinder	Satin Chrome	PL51101##SC
Cylinder and Turnknob	Black	PL51102##B
Cylinder and Turnknob	Special	PL51102##SPEC
Cylinder and Turnknob	Satin Chrome	PL51102##SC
Patio Set - Half Cylinder Only	Black	PL51103##B
Patio Set - Half Cylinder Only	Special	PL51103##SPEC
Patio Set - Half Cylinder Only	Satin Chrome	PL51103##SC
Patio Set - Half Turnknob Only	Black	PL51104##B
Patio Set - Half Turnknob Only	Special	PL51104##SPEC
Patio Set - Half Turnknob Only	Satin Chrome	PL51104##SC

### \*PALLADIUM KITS - 40MM BACKSET, SHORT THROW, 4-POINT



TRADE PACK		
Double Cylinder	Black	PL50901##B
Double Cylinder	Special	PL50901##SPEC
Double Cylinder	Satin Chrome	PL50901##SC
Cylinder and Turnknob	Black	PL50902##B
Cylinder and Turnknob	Special	PL50902##SPEC
Cylinder and Turnknob	Satin Chrome	PL50902##SC
Patio Set - Half Cylinder Only	Black	PL50903##B
Patio Set - Half Cylinder Only	Special	PL50903##SPEC
Patio Set - Half Cylinder Only	Satin Chrome	PL50903##SC

\*Replace ## with: 27 = Aria 28 = Hakea 29 = Acacia 34 = Saltbush L1 = Summit L2 = Spire. Refer to page F35 for more detail.

Description	Finish	Part Number
-------------	--------	-------------

## Optimum Mortice Lock 4-Point Kits continued...

### \*PALLADIUM KITS - 40MM BACKSET, SHORT THROW, 4-POINT CONTINUED...



TRADE PACK		
Patio Set - Half Turnknob Only	Black	PL50904##B
Patio Set - Half Turnknob Only	Special	PL50904##SPEC
Patio Set - Half Turnknob Only	Satin Chrome	PL50904##SC

### \*PALLADIUM KITS - 40MM BACKSET, LONG THROW, 4-POINT



TRADE PACK		
Double Cylinder	Black	PL51201##B
Double Cylinder	Special	PL51201##SPEC
Double Cylinder	Satin Chrome	PL51201##SC



Cylinder and Turnknob	Black	PL51202##B
Cylinder and Turnknob	Special	PL51202##SPEC
Cylinder and Turnknob	Satin Chrome	PL51202##SC



Patio Set - Half Cylinder Only	Black	PL51203##B
Patio Set - Half Cylinder Only	Special	PL51203##SPEC
Patio Set - Half Cylinder Only	Satin Chrome	PL51203##SC



Patio Set - Half Turnknob Only	Black	PL51204##B
Patio Set - Half Turnknob Only	Special	PL51204##SPEC
Patio Set - Half Turnknob Only	Satin Chrome	PL51204##SC

### VERONA KITS - 30MM BACKSET, SHORT THROW, 4-POINT



TRADE PACK		
Double Cylinder	Black	VR50801B
Double Cylinder	Special	VR50801SPEC
Double Cylinder	Satin Chrome	VR50801SC

\*Replace ## with: 27 = Aria 28 = Hakea 29 = Acacia 34 = Saltbush L1 = Summit L2 = Spire. Refer to page F35 for more detail.

Description	Finish	Part Number
-------------	--------	-------------

## Optimum Mortice Lock 4-Point Kits continued...

### VERONA KITS - 30MM BACKSET, SHORT THROW, 4-POINT CONTINUED...



Cylinder and Turnknob	Black	VR50802B
Cylinder and Turnknob	Special	VR50802SPEC
Cylinder and Turnknob	Satin Chrome	VR50802SC
Patio Set - Half Cylinder Only	Black	VR50803B
Patio Set - Half Cylinder Only	Special	VR50803SPEC
Patio Set - Half Cylinder Only	Satin Chrome	VR50803SC
Patio Set - Half Turnknob Only	Black	VR50804B
Patio Set - Half Turnknob Only	Special	VR50804SPEC
Patio Set - Half Turnknob Only	Satin Chrome	VR50804SC

### VERONA KITS - 30MM BACKSET, LONG THROW, 4-POINT



TRADE PACK		
Double Cylinder	Black	VR51101B
Double Cylinder	Special	VR51101SPEC
Double Cylinder	Satin Chrome	VR51101SC
Cylinder and Turnknob	Black	VR51102B
Cylinder and Turnknob	Special	VR51102SPEC
Cylinder and Turnknob	Satin Chrome	VR51102SC
Patio Set - Half Cylinder Only	Black	VR51103B
Patio Set - Half Cylinder Only	Special	VR51103SPEC
Patio Set - Half Cylinder Only	Satin Chrome	VR51103SC
Patio Set - Half Turnknob Only	Black	VR51104B
Patio Set - Half Turnknob Only	Special	VR51104SPEC
Patio Set - Half Turnknob Only	Satin Chrome	VR51104SC

Description	Finish	Part Number
-------------	--------	-------------

## Optimum Mortice Lock 4-Point Kits continued...

### VERONA KITS - 40MM BACKSET, SHORT THROW, 4-POINT



TRADE PACK		
Double Cylinder	Black	VR50901B
Double Cylinder	Special	VR50901SPEC
Double Cylinder	Satin Chrome	VR50901SC
Cylinder and Turnknob	Black	VR50902B
Cylinder and Turnknob	Special	VR50902SPEC
Cylinder and Turnknob	Satin Chrome	VR50902SC
Patio Set - Half Cylinder Only	Black	VR50903B
Patio Set - Half Cylinder Only	Special	VR50903SPEC
Patio Set - Half Cylinder Only	Satin Chrome	VR50903SC
Patio Set - Half Turnknob Only	Black	VR50904B
Patio Set - Half Turnknob Only	Special	VR50904SPEC
Patio Set - Half Turnknob Only	Satin Chrome	VR50904SC

### VERONA KITS - 40MM BACKSET, LONG THROW, 4-POINT



TRADE PACK		
Double Cylinder	Black	VR51201B
Double Cylinder	Special	VR51201SPEC
Double Cylinder	Satin Chrome	VR51201SC
Cylinder and Turnknob	Black	VR51202B
Cylinder and Turnknob	Special	VR51202SPEC
Cylinder and Turnknob	Satin Chrome	VR51202SC



Description	Finish	Part Number
-------------	--------	-------------

## Optimum Mortice Lock 4-Point Kits continued...

### VERONA KITS - 40MM BACKSET, LONG THROW, 4-POINT CONTINUED...



Patio Set - Half Cylinder Only	Black	VR51203B
Patio Set - Half Cylinder Only	Special	VR51203SPEC
Patio Set - Half Cylinder Only	Satin Chrome	VR51203SC
Patio Set - Half Turnknob Only	Black	VR51204B
Patio Set - Half Turnknob Only	Special	VR51204SPEC
Patio Set - Half Turnknob Only	Satin Chrome	VR51204SC

## Optimum 4-Point Lock Bodies

### 30MM BACKSET, 4-POINT



TRADE PACK	
Long Throw	OP30/4SBL/SS
Short Throw	OP50800

### 40MM BACKSET, 4-POINT



TRADE PACK	
Long Throw	OP51200
Short Throw	OP50900

### 50MM BACKSET, 4-POINT



TRADE PACK	
Long Throw	OP51300
Short Throw	OP51000

Description	Finish	Part Number
-------------	--------	-------------

## Optimum 4-Point Strikes and Accessories

## STANDARD SCREW PACK



TRADE PACK		
49mm Screw	Black	P84044
49mm Screw	Stainless Steel	P84043
M4 x 70mm Csk Sq Drive Taptite	Black	8019
M4 x 70mm Csk Sq Drive Taptite	Stainless Steel	8021

## EXTRA LONG VERONA SCREWS



TRADE PACK		
55mm for Commercial Extrusions	Black	100017
55mm for Commercial Extrusions	Silver	100018

## MULTI-POINT KITS



TRADE PACK		
1 x 1m, 1 x 1.3m		P84016
Cranked - 1 x 1m, 1 x Jointer		P84037
Extension Kit		P84017
Rod Jointer		P84092
Crimping Tool - Essential for the Crimping of Multi-Point Tips and Rods		P84042
'D' Tip Set	Black	P84094

## ASL STRIKE KIT (MK I)



TRADE PACK		
Casement	Black	P33450
French Door	Black	P33451

Description	Finish	Part Number
-------------	--------	-------------

## Optimum 4-Point Strikes and Accessories continued...

### ASL STRIKE KIT (MK II)



TRADE PACK		
Casement	Black	P33455
Casement and French Door	Black	P33456
Multipoint CD Strike for Casement	Black	P33457

### NALCO STRIKE KITS



TRADE PACK		
Casement (with shootbolt strikes)	Black	P33420
French Door (with shootbolt strikes)	Black	P33421
Casement (without shootbolt strikes)	Black	P33423
French Door (without shootbolt strikes)	Black	P33422

### FLETCHERS STRIKE KIT



TRADE PACK		
Casement	Black	P33430
French Door	Black	P33431

### PALLADIUM ACCESSORY KIT



TRADE PACK		
Drive Bars and Screws	Black	P53038

### LOCK RODS



TRADE PACK		
1 x 1m, 1 x 1.3m Rod + Rod Tips		P33096

### SHOOTBOLT ROD TIP 12.7MM

TRADE PACK		
Multi-Point Shootbolt	Stainless Steel	P84155

Description	Finish	Part Number
-------------	--------	-------------

## Optimum Mortice Lock 2-Point Kits

### PALLADIUM XTRA (WITH LOCKALERT AND SNIB) KITS - 30MM BACKSET, SHORT THROW, 2-POINT



TRADE PACK		
Double Cylinder	Black	PX5020127B
Double Cylinder	Special	PX5020127SPEC
Double Cylinder	Satin Chrome	PX5020127SC

NB: Palladium Xtra Furniture is available with Aria styled handle only

### PALLADIUM XTRA (WITH LOCKALERT AND SNIB) KITS - 30MM BACKSET, LONG THROW, 2-POINT



TRADE PACK		
Double Cylinder	Black	PX5050127B
Double Cylinder	Special	PX5050127SPEC
Double Cylinder	Satin Chrome	PX5050127SC

NB: Palladium Xtra Furniture is available with Aria styled handle only

### \*PALLADIUM KITS - 30MM BACKSET, SHORT THROW, 2-POINT



TRADE PACK		
Double Cylinder	Black	PL50201##B
Double Cylinder	Special	PL50201##SPEC
Double Cylinder	Satin Chrome	PL50201##SC



Cylinder and Turnknob	Black	PL50202##B
Cylinder and Turnknob	Special	PL50202##SPEC
Cylinder and Turnknob	Satin Chrome	PL50202##SC



Patio Set - Half Cylinder Only	Black	PL50203##B
Patio Set - Half Cylinder Only	Special	PL50203##SPEC
Patio Set - Half Cylinder Only	Satin Chrome	PL50203##SC



Patio Set - Half Turnknob Only	Black	PL50204##B
Patio Set - Half Turnknob Only	Special	PL50204##SPEC
Patio Set - Half Turnknob Only	Satin Chrome	PL50204##SC

\*Replace ## with: 27 = Aria 28 = Hakea 29 = Acacia 34 = Saltbush L1 = Summit L2 = Spire. Refer to page F35 for more detail.

Description	Finish	Part Number
-------------	--------	-------------

## Optimum Mortice Lock 2-Point Kits continued...

### \*PALLADIUM KITS - 30MM BACKSET, LONG THROW, 2-POINT



TRADE PACK		
Double Cylinder	Black	PL50501##B
Double Cylinder	Special	PL50501##SPEC
Double Cylinder	Satin Chrome	PL50501##SC



Cylinder and Turnknob	Black	PL50502##B
Cylinder and Turnknob	Special	PL50502##SPEC
Cylinder and Turnknob	Satin Chrome	PL50502##SC



Patio Set - Half Cylinder Only	Black	PL50503##B
Patio Set - Half Cylinder Only	Special	PL50503##SPEC
Patio Set - Half Cylinder Only	Satin Chrome	PL50503##SC



Patio Set - Half Turnknob Only	Black	PL50504##B
Patio Set - Half Turnknob Only	Special	PL50504##SPEC
Patio Set - Half Turnknob Only	Satin Chrome	PL50504##SC

### \*PALLADIUM KITS - 40MM BACKSET, SHORT THROW, 2-POINT



TRADE PACK		
Double Cylinder	Black	PL50301##B
Double Cylinder	Special	PL50301##SPEC
Double Cylinder	Satin Chrome	PL50301##SC



Cylinder and Turnknob	Black	PL50302##B
Cylinder and Turnknob	Special	PL50302##SPEC
Cylinder and Turnknob	Satin Chrome	PL50302##SC



Patio Set - Half Cylinder Only	Black	PL50303##B
Patio Set - Half Cylinder Only	Special	PL50303##SPEC
Patio Set - Half Cylinder Only	Satin Chrome	PL50303##SC

\*Replace ## with: 27 = Aria 28 = Hakea 29 = Acacia 34 = Saltbush L1 = Summit L2 = Spire. Refer to page F35 for more detail.

Description	Finish	Part Number
-------------	--------	-------------

## Optimum Mortice Lock 2-Point Kits continued...

### \*PALLADIUM KITS - 40MM BACKSET, SHORT THROW, 2-POINT CONTINUED...



TRADE PACK		
Patio Set - Half Turnknob Only	Black	PL50304##B
Patio Set - Half Turnknob Only	Special	PL50304##SPEC
Patio Set - Half Turnknob Only	Satin Chrome	PL50304##SC

### \*PALLADIUM KITS - 40MM BACKSET, LONG THROW, 2-POINT



TRADE PACK		
Double Cylinder	Black	PL50601##B
Double Cylinder	Special	PL50601##SPEC
Double Cylinder	Satin Chrome	PL50601##SC



Cylinder and Turnknob	Black	PL50602##B
Cylinder and Turnknob	Special	PL50602##SPEC
Cylinder and Turnknob	Satin Chrome	PL50602##SC



Patio Set - Half Cylinder Only	Black	PL50603##B
Patio Set - Half Cylinder Only	Special	PL50603##SPEC
Patio Set - Half Cylinder Only	Satin Chrome	PL50603##SC



Patio Set - Half Turnknob Only	Black	PL50604##B
Patio Set - Half Turnknob Only	Special	PL50604##SPEC
Patio Set - Half Turnknob Only	Satin Chrome	PL50604##SC

### \*PALLADIUM KITS - 50MM BACKSET, SHORT THROW, 2-POINT



TRADE PACK		
Double Cylinder	Black	PL50401##B
Double Cylinder	Special	PL50401##SPEC
Double Cylinder	Satin Chrome	PL50401##SC



Cylinder and Turnknob	Black	PL50402##B
Cylinder and Turnknob	Special	PL50402##SPEC
Cylinder and Turnknob	Satin Chrome	PL50402##SC

\*Replace ## with: 27 = Aria 28 = Hakea 29 = Acacia 34 = Saltbush L1 = Summit L2 = Spire. Refer to page F35 for more detail.

Description	Finish	Part Number
-------------	--------	-------------

## Optimum Mortice Lock 2-Point Kits continued...

### VERONA KITS - 30MM BACKSET, SHORT THROW, 2-POINT



DISPLAY PACK		
Cylinder and Turnknob	Black	VR50202BDP
Cylinder and Turnknob	Silver	VR50202SPDP



TRADE PACK		
Double Cylinder	Black	VR50201B
Double Cylinder	Special	VR50201SPEC
Double Cylinder	Satin Chrome	VR50201SC



Cylinder and Turnknob	Black	VR50202B
Cylinder and Turnknob	Special	VR50202SPEC
Cylinder and Turnknob	Satin Chrome	VR50202SC



Patio Set - Half Cylinder Only	Black	VR50203B
Patio Set - Half Cylinder Only	Special	VR50203SPEC
Patio Set - Half Cylinder Only	Satin Chrome	VR50203SC



Patio Set - Half Turnknob Only	Black	VR50204B
Patio Set - Half Turnknob Only	Special	VR50204SPEC
Patio Set - Half Turnknob Only	Satin Chrome	VR50204SC

### VERONA KITS - 30MM BACKSET, LONG THROW, 2-POINT



TRADE PACK		
Double Cylinder	Black	VR50501AB
Double Cylinder	Pearl White	VR50501APW
Double Cylinder	Silver	VR50501AS
Double Cylinder	Special	VR50501ASPEC
Double Cylinder	Satin Chrome	VR50501ASC



Cylinder and Turnknob	Black	VR50502AB
Cylinder and Turnknob	Silver	VR50502AS
Cylinder and Turnknob	Special	VR50502ASPEC
Cylinder and Turnknob	Satin Chrome	VR50502ASC

Description	Finish	Part Number
-------------	--------	-------------

## Optimum Mortice Lock 2-Point Kits continued...

### VERONA KITS - 30MM BACKSET, LONG THROW, 2-POINT CONTINUED...



Patio Set - Half Cylinder Only	Black	VR50503B
Patio Set - Half Cylinder Only	Special	VR50503SPEC
Patio Set - Half Cylinder Only	Satin Chrome	VR50503SC



Patio Set - Half Turnknob Only	Black	VR50504B
Patio Set - Half Turnknob Only	Special	VR50504SPEC
Patio Set - Half Turnknob Only	Satin Chrome	VR50504SC

### VERONA KITS - 40MM BACKSET, SHORT THROW, 2-POINT

#### TRADE PACK



Double Cylinder	Black	VR50301B
Double Cylinder	Special	VR50301SPEC
Double Cylinder	Satin Chrome	VR50301SC



Cylinder and Turnknob	Black	VR50302B
Cylinder and Turnknob	Special	VR50302SPEC
Cylinder and Turnknob	Satin Chrome	VR50302SC



Patio Set - Half Cylinder Only	Black	VR50303B
Patio Set - Half Cylinder Only	Special	VR50303SPEC
Patio Set - Half Cylinder Only	Satin Chrome	VR50303SC



Patio Set - Half Turnknob Only	Black	VR50304B
Patio Set - Half Turnknob Only	Special	VR50304SPEC
Patio Set - Half Turnknob Only	Satin Chrome	VR50304SC



Description

Finish

Part Number

## Optimum Mortice Lock 2-Point Kits continued...

### VERONA KITS - 40MM BACKSET, LONG THROW, 2-POINT



TRADE PACK		
Double Cylinder	Black	VR50601B
Double Cylinder	Special	VR50601SPEC
Double Cylinder	Satin Chrome	VR50601SC



Cylinder and Turnknob	Black	VR50602B
Cylinder and Turnknob	Special	VR50602SPEC
Cylinder and Turnknob	Satin Chrome	VR50602SC



Patio Set - Half Cylinder Only	Black	VR50603B
Patio Set - Half Cylinder Only	Special	VR50603SPEC
Patio Set - Half Cylinder Only	Satin Chrome	VR50603SC



Patio Set - Half Turnknob Only	Black	VR50604B
Patio Set - Half Turnknob Only	Special	VR50604SPEC
Patio Set - Half Turnknob Only	Satin Chrome	VR50604SC

### VERONA KITS - 50MM BACKSET, SHORT THROW, 2-POINT



TRADE PACK		
Double Cylinder	Black	VR50401B
Double Cylinder	Special	VR50401SPEC
Double Cylinder	Satin Chrome	VR50401SC



Cylinder and Turnknob	Black	VR50402B
Cylinder and Turnknob	Special	VR50402SPEC
Cylinder and Turnknob	Satin Chrome	VR50402SC

Description	Finish	Part Number
-------------	--------	-------------

### Optimum 2-Point Lock Bodies

#### 30MM BACKSET, 2-POINT



TRADE PACK		
Long Throw		OP30/2PTL/SS
Short Throw		OP30/2PTS/SS

#### 40MM BACKSET, 2-POINT



TRADE PACK		
Long Throw		OP50600
Short Throw		OP50300

#### 50MM BACKSET, 2-POINT



TRADE PACK		
Long Throw		OP50700
Short Throw		OP50400

### Optimum 2-Point Accessories

#### STANDARD SCREW PACKS



TRADE PACK		
49mm Screw	Black	P84044
49mm Screw	Stainless Steel	P84043



M4 x 70mm - Csk Sq Drive Taptite	Black	8019
M4 x 70mm - Csk Sq Drive Taptite	Stainless Steel	8021



Extra Long Verona Furniture Screw - 55mm for Commercial Extrusions	Black	100017
Extra Long Verona Furniture Screw - 55mm for Commercial Extrusions	Silver	100018

Description

Finish

Part Number

## Optimum Mortice Lock 1-Point Kits

### VERONA KITS - 30MM BACKSET, 1-POINT



#### DISPLAY PACK

Cylinder and Turnknob	Black	VR50102BDP
Cylinder and Turnknob	Silver	VR50102SPDP



#### TRADE PACK

Non-Locking	Black	VR50100B
Non-Locking	Special	VR50100SPEC
Non-Locking	Satin Chrome	VR50100ASC



Double Cylinder	Black	VR50101AB
Double Cylinder	Special	VR50101SPEC
Double Cylinder	Satin Chrome	VR50101ASC



Cylinder and Turnknob	Black	VR50102AB
Cylinder and Turnknob	Special	VR50102SPEC



Patio Set - Half Cylinder Only	Black	VR50104B
Patio Set - Half Cylinder Only	Special	VR50104SPEC



Patio Set - Half Turnknob Only	Black	VR50103B
Patio Set - Half Turnknob Only	Special	VR50103SPEC

## Optimum 1-Point Lock Bodies

### 30MM BACKSET, 1-POINT



#### TRADE PACK

Locking Latch		OP30/1LAN/SS
---------------	--	--------------




Description

Finish

Part Number

## Optimum 1-Point Accessories

## STANDARD SCREW PACKS

	TRADE PACK		
	49mm Screw	Black	P84044
	49mm Screw	Stainless Steel	P84043
	M4 x 70mm - Csk Sq Drive Taptite	Black	8019
	M4 x 70mm - Csk Sq Drive Taptite	Stainless Steel	8021
	Extra Long Verona Furniture Screw - 55mm for Commercial Extrusions	Black	100017
	Extra Long Verona Furniture Screw - 55mm for Commercial Extrusions	Silver	100018

Description	Finish	Part Number
-------------	--------	-------------

## Twin Bolt French Door Locksets



### Twin Bolt French Door Locksets

#### TWIN BOLT KIT



TRADE PACK		
<b>Twin Bolt Kit with Palladium Handle*</b>		
Locking	Black	PL30422##B
Locking	Special	PL30422##SPEC
Locking	Satin Chrome	PL30422##SC



<b>Twin Bolt Kit with Verona Handle</b>		
Locking	Black	P84219AB
Locking	Primrose	P84219APR
Locking	Special	P84219A(SPEC)
Locking	Satin Chrome	P84219ASC

#### TWIN BOLT LOCKING SERIES LOCK BODY



TRADE PACK	
Locking - With Low Profile Securiturn and Cylinder	P84131

#### ACCESSORIES



Lock Rods - 1 x 1m, 1 x 1.3m	P33096
------------------------------	--------



Multi-Point Extension Kit - 1 x 1m, 1 x Joiner	P84017
--	--------



Verona Fixed Spindle	P33151
----------------------	--------



Replacement Twin Bolt Barrel - Includes 2 Keys and 1 MC35 Key	Satin Chrome	70C4CYL
--	--------------	---------



Composite Suite Screw and Packer Kit	P84221
--------------------------------------	--------

\* Replace ## with: 27 = Aria 28 = Hakea 29 = Acacia 34 = Saltbush L1 = Summit L2 = Spire. Refer to page F35 for more detail.

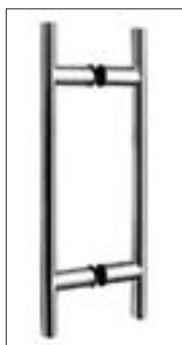
Description

Finish

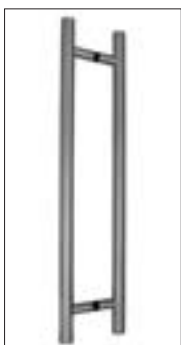
Part Number

## Pull Handle Locksets

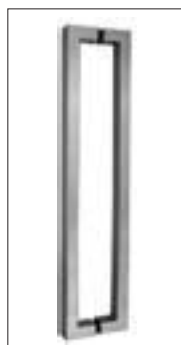
## Pull Handle Styles



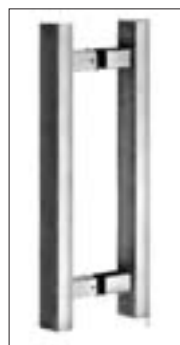
141



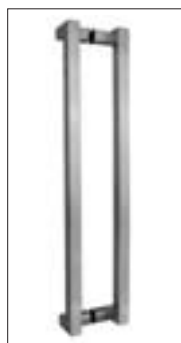
142



143



145



146



147



151



192



231

## Pull Handle Sets

### \*141 PULL HANDLE SET



#### TRADE PACK

300mm x Ø40mm	Satin Stainless Steel	L141X300SSS
450mm x Ø40mm	Satin Stainless Steel	L141X450SSS
600mm x Ø40mm	Satin Stainless Steel	L141X600SSS

### \*142 PULL HANDLE SET



#### TRADE PACK

300mm x Ø32mm	Satin Stainless Steel	L142X300SSS
450mm x Ø32mm	Satin Stainless Steel	L142X450SSS
600mm x Ø32mm	Satin Stainless Steel	L142X600SSS

\*Note: Measurements are hole centre lengths, not overall lengths.

Description

Finish

Part Number

## Pull Handle Sets continued...

### \*143 PULL HANDLE SET



TRADE PACK		
300mm x 30mm	Satin Stainless Steel	L143X300SSS
450mm x 30mm	Satin Stainless Steel	L143X450SSS
600mm x 30mm	Satin Stainless Steel	L143X600SSS

### \*145 PULL HANDLE SET



TRADE PACK		
225mm x 25mm	Satin Stainless Steel	L145X225SSS
375mm x 25mm	Satin Stainless Steel	L145X375SSS
525mm x 25mm	Satin Stainless Steel	L145X525SSS

### \*146 PULL HANDLE SET



TRADE PACK		
450mm x 25mm	Satin Stainless Steel	L146X450SSS
600mm x 25mm	Satin Stainless Steel	L146X600SSS

### \*147 PULL HANDLE SET



TRADE PACK		
450mm x Ø19mm	Satin Stainless Steel	L147X450SSS

### \*151 PULL HANDLE SET



TRADE PACK		
300mm x Ø32mm	Satin Stainless Steel	L151X300SSS

\*Note: Measurements are hole centre lengths, not overall lengths.

Description

Finish

Part Number

## Pull Handle Sets continued...

## \*192 PULL HANDLE SET



## TRADE PACK

450mm x Ø32mm

Satin Stainless Steel

L192X450SSS

600mm x Ø32mm

Satin Stainless Steel

L192X600SSS

## \*231 PULL HANDLE SET



## TRADE PACK

300mm x Ø32mm

Satin Stainless Steel

L231X300SSS

## Pull Handle Accessories

## EURO CYLINDER ESCUTCHEONS



## TRADE PACK

Round

Stainless Steel

P195ESS



Square

Stainless Steel

P246ESS

## HALF SET CONVERSION KITS



## TRADE PACK

- For Handle Styles: 141, 142, 143, 146

PSFIX-8

- For Handle Style: 145, 147, 151, 192, 231

PSFIX-6

\*Note: Measurements are hole centre lengths, not overall lengths.



Description	Finish	Part Number
-------------	--------	-------------

## Key In Knob Sets

**INTERLOCK™**

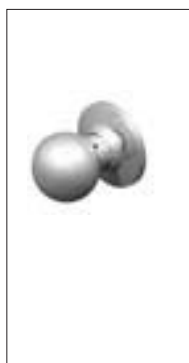
### Key In Knob Handle Types and Styles



Capri Exterior Grip



Mayfair Exterior Grip



Orbit Knob



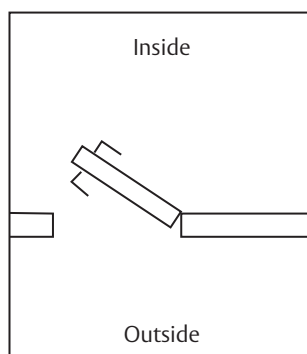
Hawthorn Lever



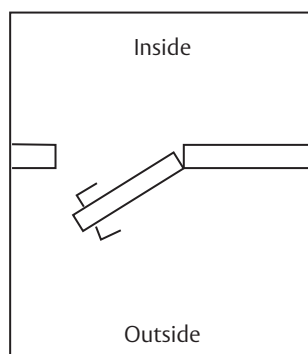
Queen Lever

NB: Grip sets and combo sets TRADE PACK supplied with Aluminium Jamb Strike & Packer Kit

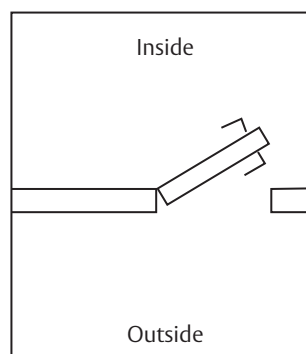
### Queen Lever Handing Guide



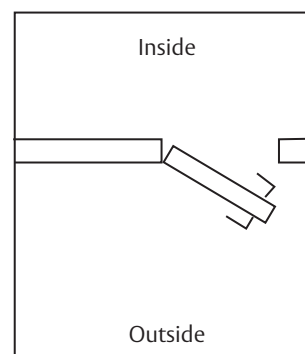
Left Hand Open In



Left Hand Open Out



Right Hand Open In



Right Hand Open Out

### Capri Entrance Handle Sets

GRIP SET CAPRI / ORBIT (TUBULAR) - 5-PIN, 60-70MM ADJUSTABLE BACKSET (TITANIUM OUTSIDE ONLY)



TRADE PACK		
Cylinder and Turnknob	Satin Chrome	MCHC3010LS
Cylinder and Turnknob	Titanium PB	MCHC3Y10LS
Double Cylinder*	Satin Chrome	MCHC3011LS
Double Cylinder*	Titanium PB	MCHC3Y11LS

\* For a MC35 Securiturn, add 35 after the part number (applies to Double Cylinder locks only)

Description	Finish	Part Number
-------------	--------	-------------

## Capri Entrance Handle Sets continued...

### GRIP SET CAPRI / HAWTHORN (TUBULAR) - 5-PIN, 60-70MM ADJUSTABLE BACKSET (TITANIUM OUTSIDE ONLY)



TRADE PACK		
Cylinder and Turnknob	Satin Chrome	MCHCH010LS
Cylinder and Turnknob	Titanium PB	MCHCHY10LS
Double Cylinder*	Satin Chrome	MCHCH011LS
Double Cylinder*	Titanium PB	MCHCHY11LS



### GRIP SET CAPRI / QUEEN (TUBULAR) - 5-PIN, 60-70MM ADJUSTABLE BACKSET (TITANIUM OUTSIDE ONLY)



TRADE PACK		
Left Hand, Cylinder and Turnknob	Satin Chrome	MCHCQ010LLS
Left Hand, Cylinder and Turnknob	Titanium PB	MCHCQY10LLS



Right Hand, Cylinder and Turnknob	Satin Chrome	MCHCQ010RLS
Right Hand, Cylinder and Turnknob	Titanium PB	MCHCQY10RLS



Left Hand, Double Cylinder*	Satin Chrome	MCHCQ011LLS
Left Hand, Double Cylinder*	Titanium PB	MCHCQY11LLS



Right Hand, Double Cylinder*	Satin Chrome	MCHCQ011RLS
Right Hand, Double Cylinder*	Titanium PB	MCHCQY11RLS

\* For a MC35 Securiturn, add 35 after the part number (applies to Double Cylinder locks only)

NB: Grip sets and combo sets TRADE PACK supplied with Aluminium Jamb Strike & Packer Kit

Description	Finish	Part Number
-------------	--------	-------------

## Mayfair Entrance Handle Sets

### GRIP SET MAYFAIR / ORBIT (TUBULAR) - 5-PIN, 60-70MM ADJUSTABLE BACKSET (TITANIUM OUTSIDE ONLY)



DISPLAY PACK		
Double Cylinder	Satin Chrome	MCH3011
Double Cylinder	An/Brass	MCH3611
Double Cylinder	Titanium PB	MCH3Y11



TRADE PACK		
Cylinder and Turnknob	Satin Chrome	MCHM3010LS
Cylinder and Turnknob	Titanium PB	MCHM3Y10LS

### GRIP SET MAYFAIR / HAWTHORN (TUBULAR) - 5-PIN, 60-70MM ADJUSTABLE BACKSET (TITANIUM OUTSIDE ONLY)



TRADE PACK		
Cylinder and Turnknob	Satin Chrome	MCHMH010LS
Cylinder and Turnknob	Titanium PB	MCHMHY10LS



Double Cylinder*	Satin Chrome	MCHMH011LS
Double Cylinder*	Titanium PB	MCHMHY11LS

### GRIP SET MAYFAIR / QUEEN (TUBULAR) - 5-PIN, 60-70MM ADJUSTABLE BACKSET (TITANIUM OUTSIDE ONLY)



TRADE PACK		
Left Hand Cylinder and Turnknob	Satin Chrome	MCHMQ010LLS
Left Hand Cylinder and Turnknob	Titanium PB	MCHMQY10LLS



Right Hand Cylinder and Turnknob	Satin Chrome	MCHMQ010RLS
Right Hand Cylinder and Turnknob	Titanium PB	MCHMQY10RLS

\* For a MC35 Securiturn, add 35 after the part number (applies to Double Cylinder locks only)

NB: Grip sets and combo sets TRADE PACK supplied with Aluminium Jamb Strike & Packer Kit

Description

Finish

Part Number

## Mayfair Entrance Handle Sets continued...

## GRIP SET MAYFAIR / QUEEN (TUBULAR) - 5-PIN, 60-70MM ADJUSTABLE BACKSET (TITANIUM OUTSIDE ONLY) CONTINUED...



Left Hand Double Cylinder*	Satin Chrome	MCHMQ011LLS
Left Hand Double Cylinder*	Titanium PB	MCHMQY11LLS
Right Hand Double Cylinder*	Satin Chrome	MCHMQ011RLS
Right Hand Double Cylinder*	Titanium PB	MCHMQY11RLS

## Orbit Combo Entrance Sets - Residential

## COMBO SET ORBIT (CYLINDRICAL KNK) - 5-PIN, 60 - 70MM ADJUSTABLE BACKSET WITH DEADBOLT



DISPLAY PACK		
Deadbolt with MC35 Securiturn	Stainless Steel	MCC3011
Deadbolt with MC35 Securiturn	An/Brass	MCC3611
Deadbolt with MC35 Securiturn	Titanium PB	MCC3Y11
TRADE PACK		
Cylinder and Turnknob Deadbolt	Stainless Steel	MCC3010LS
Cylinder and Turnknob Deadbolt	Titanium PB	MCC3Y10LS
Double Cylinder Deadbolt*	Stainless Steel	MCC3011LS
Double Cylinder Deadbolt*	An/Brass	MCC3611LS
Double Cylinder Deadbolt*	Titanium PB	MCC3Y11LS

\* For a MC35 Securiturn, add 35 after the part number (applies to Double Cylinder locks only)

NB: Grip sets and combo sets TRADE PACK supplied with Aluminium Jamb Strike & Packer Kit

Description

Finish

Part Number

## Orbit Entrance Handle Sets - Residential

### ENTRANCE SET ORBIT (CYLINDRICAL KNK) - 5-PIN, 60-70MM ADJUSTABLE BACKSET (TITANIUM OUTSIDE ONLY)



DISPLAY PACK			
Cylinder and Push Button	Stainless Steel	MCN3000	
Cylinder and Push Button	An/Brass	MCN3600	
Cylinder and Push Button	Titanium PB	MCN3Y00	
Double Cylinder	Stainless Steel	MCE3011	
Double Cylinder	An/Brass	MCE3611	
Double Cylinder	Titanium PB	MCE3Y11	



### ENTRANCE SET ORBIT (CYLINDRICAL) - 5-PIN, 60-70MM ADJUSTABLE BACKSET (TITANIUM OUTSIDE ONLY)



TRADE PACK			
Cylinder and Push Button	Stainless Steel	MCN3000LS	
Cylinder and Push Button	An/Brass	MCN3600LS	
Cylinder and Push Button	Titanium PB	MCN3Y00LS	
Double Cylinder	Stainless Steel	MCE3011LS	
Double Cylinder	An/Brass	MCE3611LS	
Double Cylinder	Titanium PB	MCE3Y11LS	



### ENTRANCE SET ORBIT (CYLINDRICAL) - 5-PIN, 127MM BACKSET FOR ALUMINIUM JOINERY (TITANIUM OUTSIDE ONLY)



DISPLAY PACK			
Cylinder and Push Button	Stainless Steel	MCN30005	
Cylinder and Push Button	An/Brass	MCN36005	
Cylinder and Push button	Titanium PB	MCN3Y005	
TRADE PACK			
Cylinder and Push Button	Stainless Steel	MCN30005LS	
Cylinder and Push Button	An/Brass	MCN36005LS	
Cylinder and Push Button	Titanium PB	MCN3Y005LS	
Double Cylinder	Stainless Steel	MCE30115LS	
Double Cylinder	An/Brass	MCE36115LS	
Double Cylinder	Titanium PB	MCE3Y115LS	



Description	Finish	Part Number
-------------	--------	-------------

## Orbit Entrance Handle Sets - Residential continued...

## PRIVACY SET ORBIT (CYLINDRICAL) - 60-70MM ADJUSTABLE BACKSET (EMERGENCY RELEASE)



DISPLAY PACK		
Push Button	Stainless Steel	MCN3030
Push Button	An/Brass	MCN3630
Push Button	Polished Brass	MCN3130
TRADE PACK		
Push Button	Stainless Steel	MCN3030LS
Push Button	An/Brass	MCN3630LS
Push Button	Polished Brass	MCN3130LS

## PASSAGE LATCHSET ORBIT (CYLINDRICAL) - 60-70MM ADJUSTABLE BACKSET



DISPLAY PACK		
Non-Locking	Stainless Steel	MCN3082
Non-Locking	An/Brass	MCN3682
Non-Locking	Polished Brass	MCN3182
TRADE PACK		
Non-Locking	Stainless Steel	MCN3082LS
Non-Locking	An/Brass	MCN3682LS
Non-Locking	Polished Brass	MCN3182LS

## DUMMY KNOB ORBIT (REAR FIXING), PAIR. FIXED KNOB FOR WARDROBE AND CUPBOARD DOORS



DISPLAY PACK		
Knob and Rose	Stainless Steel	MCN3075
Knob and Rose	An/Brass	MCN3675
Knob and Rose	Polished Brass	MCN3175
TRADE PACK		
Knob and Rose	Stainless Steel	MCN3075LS
Knob and Rose	An/Brass	MCN3675LS
Knob and Rose	Polished Brass	MCN3175LS

Description

Finish

Part Number

## Orbit Entrance Handle Sets - Commercial

### KNOBSET - ENTRANCE FUNCTION, ORBIT 6-PIN CYLINDER



**TRADE PACK**

**60mm Backset**

Cylinder and Push Button	Stainless Steel	MC300SSLS
Cylinder and Push Button	An/Brass	MC300ABLS
Cylinder and Push Button	Polished Brass	MC300PBLS

**70mm Backset**

Cylinder and Push Button	Stainless Steel	MC301SSLS
Cylinder and Push Button	An/Brass	MC301ABLS
Cylinder and Push Button	Polished Brass	MC301PBLS

### KNOBSET - CLASSROOM FUNCTION, ORBIT 6-PIN CYLINDER



**TRADE PACK**

**60mm Backset**

Cylinder and Knob	Stainless Steel	MC30120SSLS
-------------------	-----------------	-------------

**70mm Backset**

Cylinder and Knob	Stainless Steel	MC30121SSLS
-------------------	-----------------	-------------

### KNOBSET - STOREROOM FUNCTION, ORBIT 6-PIN CYLINDER



**TRADE PACK**

**60mm Backset, Key Entry Only**

Cylinder and Knob	Stainless Steel	MC30620SSLS
-------------------	-----------------	-------------

**70mm Backset, Key Entry Only**

Cylinder and Knob	Stainless Steel	MC30621SSLS
-------------------	-----------------	-------------

### KNOBSET - ORBIT 6-PIN CYLINDER



**TRADE PACK**

**60mm Backset**

Double Cylinder	Stainless Steel	MC30110SSLS
-----------------	-----------------	-------------

**70mm Backset**

Double Cylinder	Stainless Steel	MC30111SSLS
-----------------	-----------------	-------------

Description	Finish	Part Number
-------------	--------	-------------

## Hawthorn Combo Entrance Sets

### COMBO SET HAWTHORN (TUBULAR) - 5-PIN, 60-70MM ADJUSTABLE BACKSET



TRADE PACK		
Cylinder and Turnknob Deadbolt	Satin Chrome	MCCH010LS
Cylinder and Turnknob Deadbolt	Titanium PB	MCCHY10LS
<hr/>		
Double Cylinder Deadbolt*	Satin Chrome	MCCH011LS
Double Cylinder Deadbolt*	Titanium PB	MCCHY11LS



## Hawthorn Entrance Handle Sets

### ENTRANCE SET HAWTHORN (TUBULAR)- 5-PIN CYLINDER



TRADE PACK		
<b>LW4 Cylinder, 60-70mm Adjustable Backset, Non-handed (Titanium outside only)</b>		
Cylinder and Turnknob	Satin Chrome	MCTH000LS
Cylinder and Turnknob	Titanium PB	MCTHY00LS



<b>127mm Backset, for Aluminium Joinery (Titanium outside only)</b>		
Cylinder and Turnknob	Satin Chrome	MCTH0005LS
Cylinder and Turnknob	Titanium PB	MCTHY005LS

### PRIVACY SET HAWTHORN (TUBULAR) - 60-70MM ADJUSTABLE BACKSET, NON-HANDED



TRADE PACK		
<b>(Emergency Release)</b>		
Turnknob	Satin Chrome	MCTH030LS
Turnknob	Polished Brass	MCTH130LS

### PASSAGE SET HAWTHORN - 60-70MM ADJUSTABLE BACKSET



TRADE PACK		
Non-Locking	Satin Chrome	MCTH082LS
Non-Locking	Polished Brass	MCTH182LS

\* For a MC35 Securiturn, add 35 after the part number (applies to Double Cylinder locks only)

NB: Grip sets and combo sets TRADE PACK supplied with Aluminium Jamb Strike & Packer Kit



Description

Finish

Part Number

## Hawthorn Entrance Handle Sets continued...

### DUMMY LEVER HAWTHORN, FIXED FOR WARDROBE AND CUPBOARD DOORS, NON-HANDED



**TRADE PACK**

Lever and Rose, Single	Satin Chrome	MCTH075LS
Lever and Rose, Single	Polished Brass	MCTH175LS

### DUMMY LEVER SET HAWTHORN



**TRADE PACK**

Lever and Rose	Satin Chrome	MCTH078LS
Lever and Rose	Polished Brass	MCTH178LS

## Queen Combo Entrance Sets

### COMBO SET QUEEN (TUBULAR) - 5-PIN, 60-70MM ADJUSTABLE BACKSET (CHANGEABLE HANDING), WITH DEADBOLT



**TRADE PACK**

Cylinder and Turnknob Deadbolt	Satin Chrome	MCCQ010LS
Cylinder and Turnknob Deadbolt	Titanium PB	MCCQY10LS
Double Cylinder Deadbolt*	Satin Chrome	MCCQ011LS
Double Cylinder Deadbolt*	Titanium PB	MCCQY11LS

## Queen Entrance Handle Sets

### ENTRANCE SET QUEEN (TUBULAR) - 5-PIN, WITH CHANGEABLE HANDING



**TRADE PACK**

**60-70mm Adjustable Backset**

Cylinder and Turnknob	Satin Chrome	MCTQ000LS
Cylinder and Turnknob	Titanium PB	MCTQY00LS

**127mm Adjustable Backset, for Aluminium joinery**

Cylinder and Turnknob	Satin Chrome	MCTQ0005LS
Cylinder and Turnknob	Titanium PB	MCTQY005LS

\* For a MC35 Securiturn, add 35 after the part number (applies to Double Cylinder locks only)  
 NB: Grip sets and combo sets TRADE PACK supplied with Aluminium Jamb Strike & Packer Kit

Description	Finish	Part Number
-------------	--------	-------------

## Queen Entrance Handle Sets continued...

### PRIVACY SET QUEEN (TUBULAR) - 60-70MM ADJUSTABLE BACKSET (EMERGENCY RELEASE AND CHANGEABLE HANDING)



TRADE PACK		
Turnknob	Satin Chrome	MCTQ030LS
Turnknob	Polished Brass	MCTQ130LS

### PASSAGE SET QUEEN (TUBULAR) - 60-70MM ADJUSTABLE BACKSET WITH CHANGEABLE HANDING



TRADE PACK		
Non-locking	Satin Chrome	MCTQ082LS
Non-locking	Polished Brass	MCTQ182LS

### DUMMY LEVER QUEEN, FOR WARDROBE AND CUPBOARD DOORS



TRADE PACK		
Left Hand, Lever and Rose, Single	Satin Chrome	MCTQ075LLS
Left Hand, Lever and Rose, Single	Polished Brass	MCTQ175LLS
Right Hand, Lever and Rose, Single	Satin Chrome	MCTQ075RLS
Right Hand, Lever and Rose, Single	Polished Brass	MCTQ175RLS
<b>Dummy Set (Face Fix)</b>		
Non-handed, Lever and Rose	Satin Chrome	MCTQ078LS
Non-handed, Lever and Rose	Polished Brass	MCTQ178LS

Description	Finish	Part Number
-------------	--------	-------------

## Handle Sets

### Palladium Handle Styles



Aria - 27



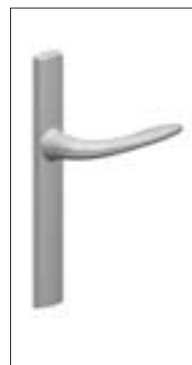
Hakea - 28



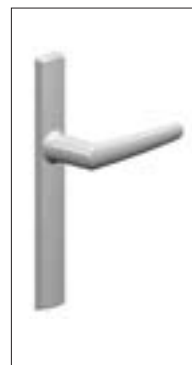
Acacia - 29



Saltbush - 34



Summit - L1



Spire - L2

### Palladium Xtra (with LockAlert and Snib)

#### HANDLE SETS



TRADE PACK		
Standard Cylinder Holes Both Sides	Black	LPX1048527B
Standard Cylinder Holes Both Sides	Special	LPX1048527SPEC
Standard Cylinder Holes Both Sides	Satin Chrome	LPX1048527SC

*NB: Palladium Xtra Furniture is available with Aria styled handle only*

#### HALF HANDLE SETS - INCLUDING DRIVE BAR AND SCREWS



TRADE PACK		
Interior - With Cylinder Holes	Black	LPX1068527B
Interior - With Cylinder Holes	Special	LPX1068527SPEC
Interior - With Cylinder Holes	Satin Chrome	LPX1068527SC

*NB: Palladium Xtra Furniture is available with Aria styled handle only*

Description	Finish	Part Number
-------------	--------	-------------

## Palladium

### \*HANDLE SETS



TRADE PACK		
Standard - Cylinder Holes Both Sides	Black	LPL10485##B
Standard - Cylinder Holes Both Sides	Special	LPL10485##SPEC
Standard - Cylinder Holes Both Sides	Satin Chrome	LPL10485##SC



Interior Non-Locking - No Cylinder Holes	Black	LPL10100##B
Interior Non-Locking - No Cylinder Holes	Special	LPL10100##SPEC
Interior Non-Locking - No Cylinder Holes	Satin Chrome	LPL10100##SC



Patio - Cylinder Hole Inside Only	Black	LPL10385##B
Patio - Cylinder Hole Inside Only	Special	LPL10385##SPEC
Patio - Cylinder Hole Inside Only	Satin Chrome	LPL10385##SC



Interior Fixed - No Cylinder Holes	Black	LPL10500##B
Interior Fixed - No Cylinder Holes	Special	LPL10500##SPEC
Interior Fixed - No Cylinder Holes	Satin Chrome	LPL10500##SC

### \*HALF HANDLE SETS - INCLUDING DRIVE BAR AND SCREWS



TRADE PACK		
Interior - With Cylinder Hole	Black	LPL10685##B
Interior - With Cylinder Hole	Special	LPL10685##SPEC
Interior - With Cylinder Hole	Satin Chrome	LPL10685##SC



Interior - Without Cylinder Hole	Black	LPL10700##B
Interior - Without Cylinder Hole	Special	LPL10700##SPEC
Interior - Without Cylinder Hole	Satin Chrome	LPL10700##SC

\* Replace ## with: 27 = Aria 28 = Hakea 29 = Acacia 34 = Saltbush L1 = Summit L2 = Spire.

Description

Finish

Part Number

## Palladium continued...

### \*HALF HANDLE SETS



#### TRADE PACK

Exterior - With Cylinder Hole	Black	LPL10885##B
Exterior - With Cylinder Hole	Special	LPL10885##SPEC
Exterior - With Cylinder Hole	Satin Chrome	LPL10885##SC



Exterior - Without Cylinder Hole	Black	LPL10900##B
Exterior - Without Cylinder Hole	Special	LPL10900##SPEC
Exterior - Without Cylinder Hole	Satin Chrome	LPL10900##SC

### ACCESSORIES



#### TRADE PACK

Cylinder Escutcheons - Standard Set	Black	PA1202B
Cylinder Escutcheons - Standard Set	Special	PA1202SPEC
Cylinder Escutcheons - Standard Set	Satin Chrome	PA1202SC



Cylinder Escutcheon - Standard Single	Black	PA1102B
Cylinder Escutcheon - Standard Single	Special	PA1102SPEC
Cylinder Escutcheon - Standard Single	Satin Chrome	PA1102SC



Cylinder Escutcheon - Low Profile 4mm	Black	PA1101B
Cylinder Escutcheon - Low Profile 4mm	Special	PA1101SPEC
Cylinder Escutcheon - Low Profile 4mm	Satin Chrome	PA1101SC



Palladium Drive Bar	Zinc	P087873
---------------------	------	---------

\* Replace ## with: 27 = Aria 28 = Hakea 29 = Acacia 34 = Saltbush L1 = Summit L2 = Spire.

Description	Finish	Part Number
-------------	--------	-------------

## Verona

### HANDLE SETS



TRADE PACK		
Standard - Cylinder Holes Both Sides	Black	VR10485B
Standard - Cylinder Holes Both Sides	Special	VR10485SPEC
Standard - Cylinder Holes Both Sides	Satin Chrome	VR10485SC



Interior Non-Locking - No Cylinder Holes	Black	VR10100B
Interior Non-Locking - No Cylinder Holes	Special	VR10100SPEC
Interior Non-Locking - No Cylinder Holes	Satin Chrome	VR10100SC



Patio - Cylinder Insider Only	Black	VR10385B
Patio - Cylinder Insider Only	Special	VR10385SPEC
Patio - Cylinder Insider Only	Satin Chrome	VR10385SC



Interior Fixed - No Cylinder Holes	Black	VR10500B
Interior Fixed - No Cylinder Holes	Special	VR10500SPEC
Interior Fixed - No Cylinder Holes	Satin Chrome	VR10500SC

### HALF HANDLE SETS - INCLUDING DRIVE BAR & SCREWS



TRADE PACK		
Interior - With Cylinder Holes	Black	VR10685B
Interior - With Cylinder Holes	Special	VR10685SPEC
Interior - With Cylinder Holes	Satin Chrome	VR10685SC

Interior - Without Cylinder Holes	Black	VR10700B
Interior - Without Cylinder Holes	Special	VR10700SPEC
Interior - Without Cylinder Holes	Satin Chrome	VR10700SC

Description

Finish

Part Number

## Verona continued...

### HALF HANDLE SETS



TRADE PACK		
Exterior - With Cylinder Holes	Black	VR10885B
Exterior - With Cylinder Holes	Special	VR10885SPEC
Exterior - With Cylinder Holes	Satin Chrome	VR10885SC
Exterior - Without Cylinder Holes	Black	VR10900B
Exterior - Without Cylinder Holes	Special	VR10900SPEC
Exterior - Without Cylinder Holes	Satin Chrome	VR10900SC

### ACCESSORIES



TRADE PACK		
Cylinder Escutcheons - Standard Set	Black	P84064B
Cylinder Escutcheons - Standard Set	Pearl White	P84064PW
Cylinder Escutcheons - Standard Set	Primrose	P84064PR
Cylinder Escutcheons - Standard Set	Special	P84064(SPEC)
Cylinder Escutcheons - Standard Set	Satin Chrome	P84064SC
Cylinder Escutcheon - Standard Single	Black	P84071B
Cylinder Escutcheon - Standard Single	Special	P84071(SPEC)
Cylinder Escutcheon - Standard Single	Satin Chrome	P84071SC
Cylinder Escutcheon - Low Profile 4mm	Black	P84211B
Cylinder Escutcheon - Low Profile 4mm	Pearl White	P84211PW
Cylinder Escutcheon - Low Profile 4mm	Primrose	P84211PR
Cylinder Escutcheon - Low Profile 4mm	Special	P84211(SPEC)
Cylinder Escutcheon - Low Profile 4mm	Satin Chrome	P84211SC
Verona Flush Plate	Black	P84123B
Verona Flush Plate	Special	P84123(SPEC)
Verona Drive Bar		P84214
Extended Drive Bar - 115mm x 8mm		P33152

Description

Finish

Part Number

## Digital Entrance Set

Securicraft®

## Securilock Digital Entrance Set

## DIGITAL ENTRANCE KEY AND LEVER SET



## DISPLAY PACK

Non-Adjustable 60mm Standard Backset

Satin Chrome

SL2000SC

## Securilock Digital Entrance Set Components

## DIGITAL ENTRANCE SET COMPONENTS



## TRADE PACK

## Code Pad

Exterior Code Pad Assembly

Satin Chrome

NK2000SCKP



## Handles

Interior Handle Assembly, Reversible

Satin Chrome

SL2000IHSC

Interior Handle Assembly, 'HoldBack', Reversible

Satin Chrome

NK2100IHSC

Inside Handle Spring

NK2000IHSPR



## Body Seal

Neoprene Lockbody Seal

Black

NK2000SEAL



## Backing Plate

Retrofit Backing Plate 165 x 64mm for LR  
Key In Knob Replacement

Black

SL2000RBP



## Latches

70mm D/L Latch Assembly

Satin Chrome

SL2000DL70SC

## Standard Screw Pack\*

Satin Chrome

NK2000SCSP

\*Includes:

- 3 x Fixing bolts (1 spare)
- 4 x Latch strike screws
- 1 x Latch support post
- 1 x Tweezers for code changing
- 2 x Spindles
- 4 x Spare code tumblers



## Code Tumblers

Code Tumbler. Blue Top for Inactive Code

Brass

CT100B

Code Tumbler. Red Top for Active Code

Brass

CT100N



Description	Finish	Part Number
-------------	--------	-------------

## Cylinders



### Euro Cylinders

#### SAFETY EURO C4 5-PIN WITH PRECUT MC35 KEY AND REMOVAL TOOL KIT



DISPLAY PACK		
Double Cylinder - 30/30	Satin Chrome	P33022E
Double Cylinder - 30/30 Plus MC35 - Includes Cap	Satin Chrome	P33022ESC



#### SHORT SERIES SAFETY EURO C4 3-PIN WITH PRECUT MC35 KEY (WITHOUT CAP) AND REMOVAL TOOL KIT



TRADE PACK		
Double Cylinder - 21/21	Satin Chrome	P33275E
Double Cylinder - 24/24	Satin Chrome	P33280E

#### EXTENDED SAFETY EURO C4 5-PIN WITH PRECUT MC35 KEY (WITHOUT CAP) AND REMOVAL TOOL KIT



TRADE PACK		
Double Cylinder - 34/34	Satin Chrome	P33276E



Double Cylinder - 40/40	Satin Chrome	P33040E
-------------------------	--------------	---------



Double Cylinder - 51/21	Satin Chrome	P33274E
-------------------------	--------------	---------



Double Cylinder - 62/32	Satin Chrome	P33016E
Double Cylinder - 38/38	Satin Chrome	P33235E
Double Cylinder - 33/48	Satin Chrome	P33260E

#### STANDARD FIXED CAM EURO 5-PIN



DISPLAY PACK		
Double Cylinder - 30/30	Satin Chrome	MC33035



Cylinder and Turnknob - 30/30	Satin Chrome	MC33034
-------------------------------	--------------	---------

Note: ###/### = Measurement each way from the centre of the cam to the cylinder face.

Description	Finish	Part Number
-------------	--------	-------------

## Euro Cylinders continued...

### STANDARD EURO C4 5-PIN



TRADE PACK		
Double Cylinder - 30/30	Satin Chrome	P33035
Double Cylinder - 30/30	Brass	P33033
Double Cylinder - 30/30 - Keyed Alike	Satin Chrome	P33035KA



Cylinder and Turnknob - 30/30	Satin Chrome	P33034
Cylinder and Turnknob - 30/30	Brass	P33032
Cylinder and Turnknob - 30/30 - Keyed Alike	Satin Chrome	P33034KA



Half Cylinder - 10/30	Satin Chrome	P33045
Half Cylinder - 10/30	Brass	P33048



Half Turnknob - 10/30	Satin Chrome	P33092
Half Turnknob - 10/30	Brass	P33093

### EXTENDED EURO C4 5-PIN



TRADE PACK		
Double Cylinder - 38/38	Satin Chrome	P33235
Double Cylinder - 38/38	Brass	P33233



Double Cylinder - 45/45	Satin Chrome	P33021
-------------------------	--------------	--------



Cylinder and Turnknob - 38/38	Satin Chrome	P33234
Cylinder and Turnknob - 38/38	Brass	P33232



Cylinder and Turnknob - 34/34	Satin Chrome	P33277
-------------------------------	--------------	--------



Cylinder and Turnknob - 40/40	Satin Chrome	P33041
-------------------------------	--------------	--------



Half Cylinder - 10/38	Satin Chrome	P33245
-----------------------	--------------	--------



Half Cylinder - 10/34	Satin Chrome	P33279
-----------------------	--------------	--------

Note: ###/### = Measurement each way from the centre of the cam to the cylinder face.

Description	Finish	Part Number
-------------	--------	-------------

## Euro Cylinders continued...

### EXTENDED EURO C4 5-PIN continued...



TRADE PACK		
Half Cylinder - 10/40	Satin Chrome	P33042
Half Cylinder and Turnknob - 10/38	Satin Chrome	P33292
Half Cylinder and Turnknob - 10/34	Satin Chrome	P33278
Half Cylinder and Turnknob - 10/40	Satin Chrome	P33043

### OFFSET EXTENDED 81MM EURO C4 5-PIN STANDARD CAM



TRADE PACK		
Double Cylinder - 33/48	Satin Chrome	P33260
Double Cylinder - 33/48	Polished Brass	P33262
Cylinder and Turnknob - 33/48	Satin Chrome	P33261
Cylinder and Turnknob - 33/48	Polished Brass	P33263
Cylinder and Turnknob - 62/32	Satin Chrome	P33017
Half Cylinder - 10/48	Satin Chrome	P33264
Half Cylinder - 10/48	Polished Brass	P33265
Half Cylinder and Turnknob - 10/48	Satin Chrome	P33231
Half Cylinder and Turnknob - 10/48	Polished Brass	P33230

Note: ###/### = Measurement each way from the centre of the cam to the cylinder face.

Description	Finish	Part Number
-------------	--------	-------------

## Euro Cylinders continued...

### STANDARD EURO C4 4-PIN



TRADE PACK		
Half Cylinder - 10/25	Satin Chrome	P33066
Half Cylinder - 10/25	Polished Brass	P33067

### STANDARD EURO C4 6-PIN



TRADE PACK		
Double Cylinder - 35/35	Satin Chrome	P33046
Double Cylinder - 35/35	Polished Brass	P33072



Cylinder and Turnknob - 35/35	Satin Chrome	P33047
Cylinder and Turnknob - 35/35	Polished Brass	P33071

### SUB ASSEMBLED EURO 6-PIN LESS PLUG



TRADE PACK		
Double Cylinder 35/35	Satin Chrome	P33046LP



Cylinder and Turnknob 35/35	Satin Chrome	P33047LP
-----------------------------	--------------	----------

### FLOATING CAM EURO C4 5-PIN, LW4



TRADE PACK		
Double Cylinder - 30/30	Satin Chrome	P33097
Double Cylinder - 38/38	Satin Chrome	P33119

### SLIDING DOOR LOCK CYLINDER - 5-PIN, LW4 FOR ALBANY SLIDING DOOR LOCKS



TRADE PACK		
Key In Knob Cylinder Keyway with long tailbar	Satin Chrome	180250
Key In Knob Cylinder, Schlage, C Flute with long tailbar	Polished Brass	180259

Note: ###/### = Measurement each way from the centre of the cam to the cylinder face.  
 Note: Refer to page E15 for Endeavour Cylinders.

Description	Finish	Part Number
-------------	--------	-------------

## Euro Cylinders continued...

### KEY IN KNOB DEADBOLT AND ALBANY SLIDING DOOR LOCK CYLINDER - 6-PIN LW4



TRADE PACK		
Single Cylinder with long tailbar for MC16, MC21, MC300 series and single cylinder Albany	Satin Chrome	MC2600SC

### SUB ASSEMBLED CYLINDER TOOL



TRADE PACK		
Top Pin Retaining Clip		P33046T

## Oval Cylinders

### OVAL SINGLE CYLINDER



TRADE PACK		
<b>Oval Cylinder - 6-Pin LW4, Includes 2 Keys**</b>		
Single Cylinder - Keyed to Differ	Satin Chrome	MC570
Single Cylinder - Keyed to Differ	Polished Brass	MC570PB
Single Cylinder - Keyed Alike	Satin Chrome	MC570KA*
<i>*Add KA group number eg. MC570KA1</i>		
Single Cylinder housing with sacrificial plug follower	Satin Chrome	MC570LP



<b>Extended Oval Cylinder - 6-Pin, 50mm, LW4, Includes 2 Keys</b>		
Single Cylinder - Keyed to Differ	Satin Chrome	MC570-50SC



TRADE PACK		
<b>Oval Cylinder - Dummy**</b>		
Dummy Cylinder (Indent Only)	Satin Chrome	MC570D



<b>Oval Cylinder - Thumbturn</b>		
Thumbturn Replacement for Oval Cylinders	Satin Chrome	MC571

\*For personalised engraving add suffix 'EN' to part numbers.

Description	Finish	Part Number
-------------	--------	-------------

## Rim Cylinders

### RIM CYLINDER 6-PIN, LW4



DISPLAY PACK		
201 Security Profile Compatible	Bronze	MC17FB
201 Security Profile Compatible	Polished Brass	MC17PB
201 Security Profile Compatible	Satin Chrome	MC17SC
TRADE PACK		
201 Security Profile Compatible*	Bronze	17FB
201 Security Profile Compatible*	Polished Brass	17PB
201 Security Profile Compatible*	Satin Chrome	17SC
Complete Cylinder as above, less plug and keys (supplied with flat top pins)	Satin Chrome	17SCLP

# Optimum 4-Point Mortice Lock

**INTERLOCK™**  
**ASSA ABLOY**

ASSA ABLOY, the global leader  
in door opening solutions.



The Optimum Mortice Lock offers a new and improved locking system with enhanced furniture options available. When deadlocked, the Optimum 4-Point provides increased security with up to four points of locking. The shootbolt provides added security and seal compression, designed specifically for the New Zealand environment. See reverse for handle operation.

## Features

- Upgraded furniture option (Palladium Xtra) features LockAlert indicator which shows at a glance if the door has been deadlocked
- Upgraded furniture also comes with safety snib for at home security, enabling easy exit if required
- Features four points of locking including the latch, deadbolt and shootbolts
- Sequencing of locking points can be in any order (can be locked with or without shootbolts thrown)
- When used with the correct strike the lock generates optimum seal compression to provide improved water and air seal performance, especially for large panel doors
- The handing of the lockset is adjusted by reversing the orientation of the latch bolt
- Standard kits are supplied with furniture and keyed cylinder
- Can be keyed alike to other ASSA ABLOY CYL4™ 5-Pin locks for one key convenience
- Achieves Australian Standards AS4145: 1993 (Part 2) Security Level S2 and Durability Level D2
- New Zealand made

## Options

- Available with 30mm, 40mm or 50mm backset
- Short Throw 4-Point
- Long Throw 4-Point
- Available with standard Verona and Palladium furniture or upgrade to Palladium Xtra with LockAlert and safety snib (pictured)
- Double cylinder, cylinder and turnknob, half cylinder or half turnknob

\* Palladium Xtra furniture shown

# Optimum

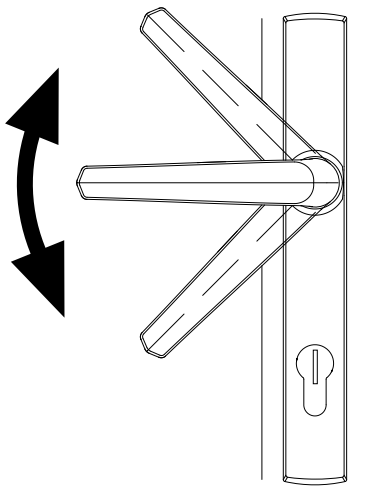
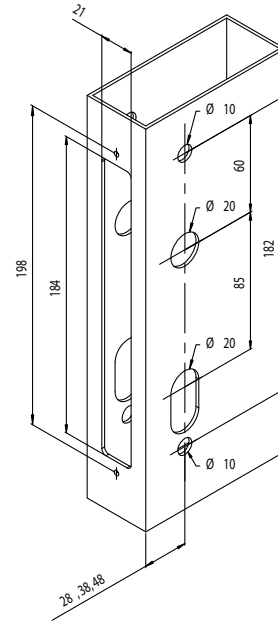
## 4-Point Mortice Lock

INTERLOCK™

ASSA ABLOY



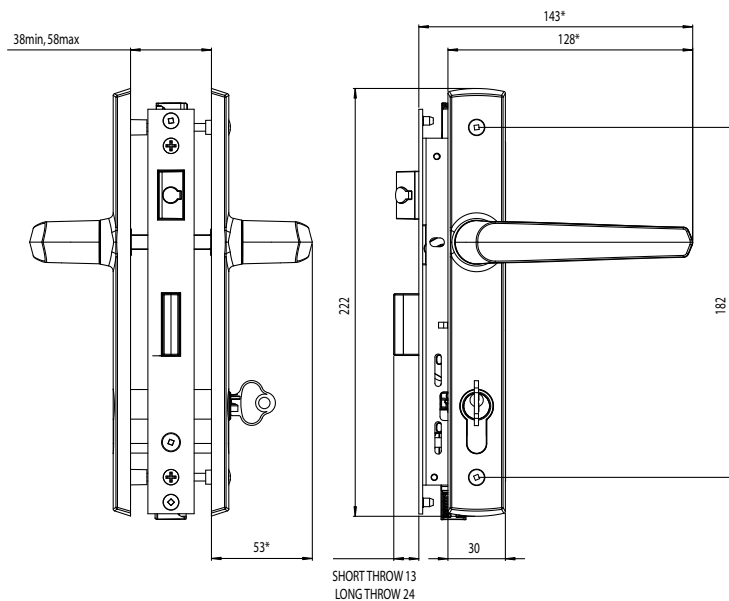
Palladium  
Xtra Furniture  
pictured



### HANDLE OPERATION

#### Function:

1. To lock - turn key towards edge of door
2. To unlock - turn key away from edge of door
3. To throw shootbolts - lift handle up and release lever (either when locked or unlocked)
4. To retract shootbolts, ensure lock is unlocked. Push lever down and release



\* Dimensions shown are specific to Aria lever. Other styles may vary.

ASSA ABLOY New Zealand Ltd.  
PO Box 100407, North Shore  
North Shore City 0745

6 Armstrong Road, Albany  
North Shore City 0632  
New Zealand

Within New Zealand:  
Tel +64 9 415 8031  
Fax 0800 478 297  
www.assaabloy.co.nz

Outside New Zealand:  
Tel +64 9 921 7630  
Fax +64 9 921 6504  
www.assaabloy.co.nz

ASSA ABLOY, the global leader  
in door opening solutions.



# Optimum 2-Point Mortice Lock

**INTERLOCK™**  
**ASSA ABLOY**

ASSA ABLOY, the global leader  
in door opening solutions.



The Optimum Mortice Lock offers a new and improved locking system with enhanced furniture options available. When deadlocked, the Optimum 2-Point provides increased security with two points of locking. Made specifically for the New Zealand environment, this is an ideal locking solution.

## Features

- Upgraded furniture option (Palladium Xtra) features LockAlert indicator which shows at a glance if the door has been deadlocked
- Upgraded furniture also comes with safety snib for at home security, enabling easy exit if required
- Features 2 points of locking including the latch and deadbolt
- The handing of the lockset is adjusted by reversing the orientation of the latch bolt
- Standard kits are supplied with furniture and keyed cylinder
- Can be keyed alike to other ASSA ABLOY CYL4™ 5-Pin locks for one key convenience
- Stainless steel forend plate
- Adjustable latch projection
- Achieves Australian Standards AS4145: 1993 (Part 2) Security Level S2 and Durability Level D2
- New Zealand made

## Options

- Available with 30mm, 40mm or 50mm backset
- Short Throw 2-Point
- Long Throw 2-Point
- Available with standard Verona and Palladium furniture or upgrade to Palladium Xtra with LockAlert and safety snib (pictured)
- Double cylinder, cylinder and turnknob, half cylinder or half turnknob

\* Palladium Xtra furniture shown

# Optimum

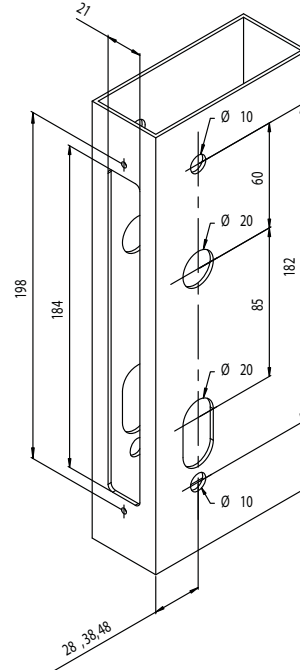
## 2-Point Mortice Lock

INTERLOCK™

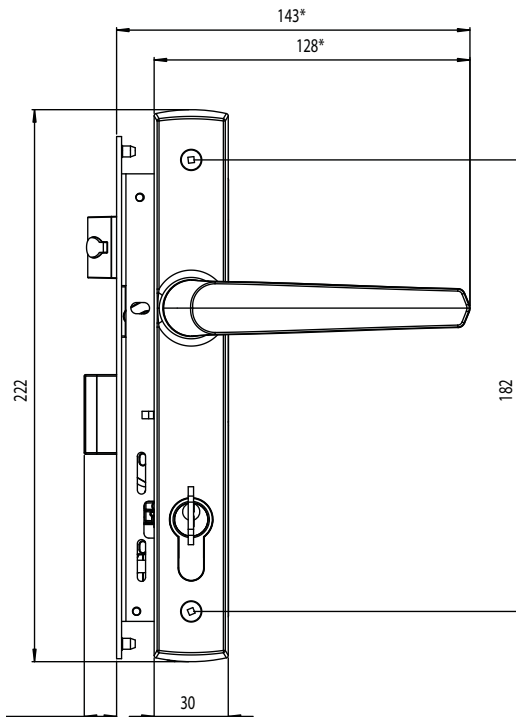
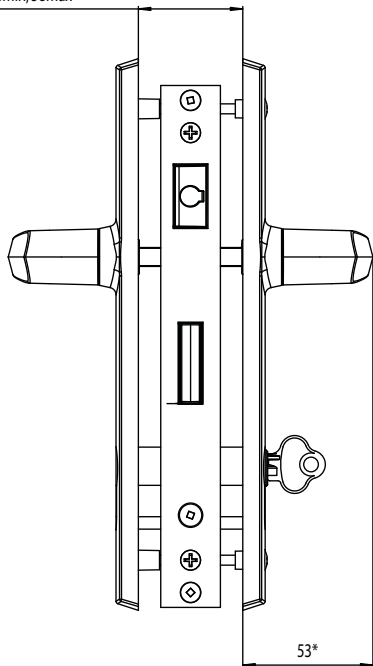
ASSA ABLOY



Palladium  
Xtra Furniture  
pictured



38min, 58max



SHORT THROW 13  
LONG THROW 24

\* Dimensions shown are specific to Aria lever. Other styles may vary.

ASSA ABLOY New Zealand Ltd.  
PO Box 100407, North Shore  
North Shore City 0745

6 Armstrong Road, Albany  
North Shore City 0632  
New Zealand

Within New Zealand:  
Tel +64 9 415 8031  
Fax 0800 478 297  
www.assaabloy.co.nz

Outside New Zealand:  
Tel +64 9 921 7630  
Fax +64 9 921 6504  
www.assaabloy.co.nz

ASSA ABLOY, the global leader  
in door opening solutions.

# Optimum 1-Point Mortice Lock

**INTERLOCK™**  
**ASSA ABLOY**

ASSA ABLOY, the global leader  
in door opening solutions.



The Optimum Mortice Lock range offers a new and improved locking system. The Optimum 1-Point provides basic security suitable for residential applications.

## Features

- The handing of the lockset is easily adjusted by reversing the orientation of the latch bolt
- Standard kits are supplied with furniture and keyed cylinder
- Can be keyed alike to other ASSA ABLOY CYL4™ 5-Pin locks for one key convenience
- Adjustable latch projection
- Stainless steel forend plate
- Achieves Australian Standards AS4145: 1993 (Part 2) Security Level S1 and Durability Level D2
- New Zealand made

## Options

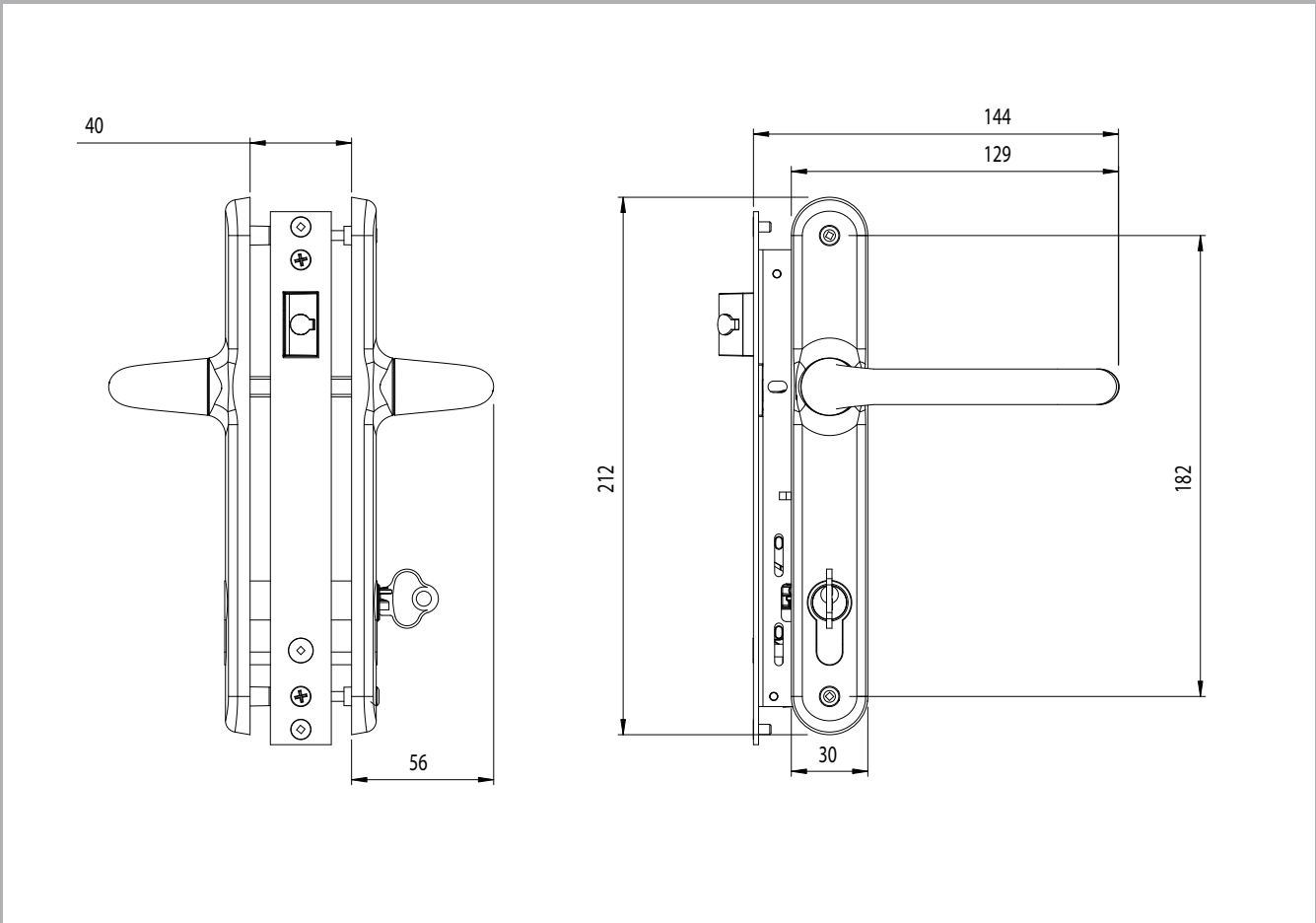
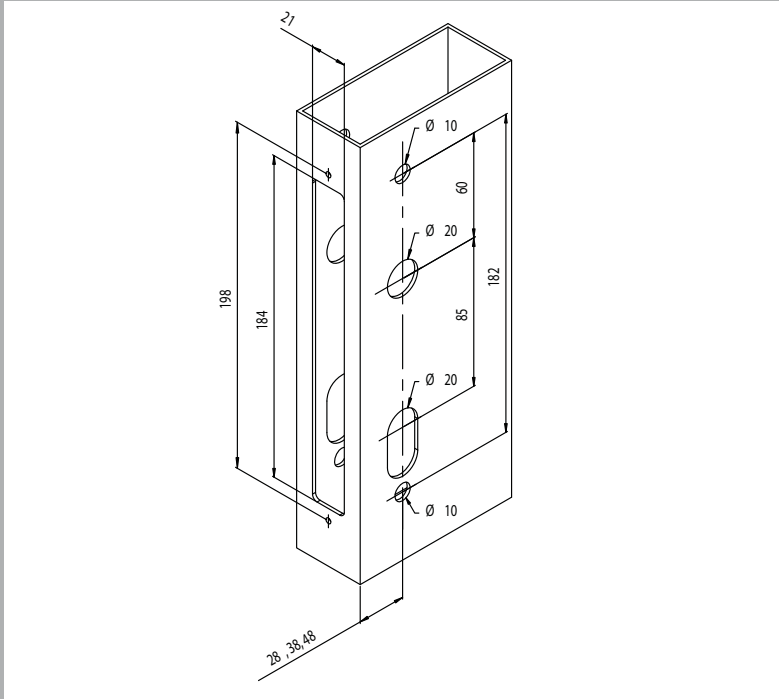
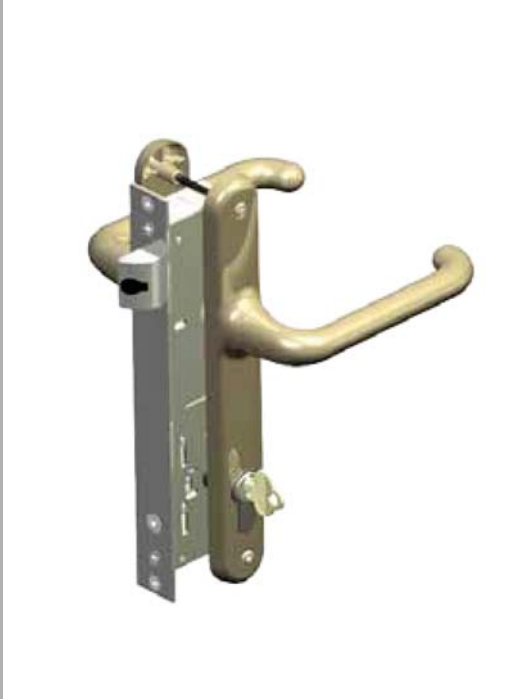
- Available with 30mm backset
- Available with standard Verona furniture
- Double cylinder, cylinder and turnknob, half cylinder or half turnknob

# Optimum

## 1-Point Mortice Lock

INTERLOCK™

ASSA ABLOY



EXP-FEY-011\_0410NZ

ASSA ABLOY New Zealand Ltd.  
PO Box 100407, North Shore  
North Shore City 0745

6 Armstrong Road, Albany  
North Shore City 0632  
New Zealand

Within New Zealand:  
Tel +64 9 415 8031  
Fax 0800 478 297  
[www.assaabloy.co.nz](http://www.assaabloy.co.nz)

Outside New Zealand:  
Tel +64 9 921 7630  
Fax +64 9 921 6504  
[www.assaabloy.co.nz](http://www.assaabloy.co.nz)

ASSA ABLOY, the global leader  
in door opening solutions.

# Twin Bolt French Doors

INTERLOCK™

ASSA ABLOY

ASSA ABLOY, the global leader  
in door opening solutions.



The Twin Bolt lock body has been designed for use on the passive leaf of a french door. The Twin Bolt combines security features with a practical design, fulfilling the needs created by architectural innovations within the residential and light commercial market. Suitable for use with aluminium or timber doors.

## Features

- Standard rod length 1 x 1m + 1 x 1.3m.
- Provides two points of security with throw rods top and bottom (13mm throw)
- Practical, easy installation
- Zinc die-cast construction
- Standard moulded plastic packers and fixing screws provided
- Threaded rod connection provides easy adjustment
- Handle turning angle of 90°
- Twin Bolt lock body features internal locking only, with a C4 compatible cylinder
- The Twin Bolt - French Door option is available as a complete kit which includes the lock body, lock rods, handle set, aluminium suite screws, packers and drive bar
- Can be keyed alike to other ASSA ABLOY CYL4™ locks for one key convenience
- New Zealand made

## Options

- Can be used with a Palladium or a Verona handle for french door applications\*
- Both handles available in a wide range of powdercoat colours and satin chrome finish
- Multipoint rod extension kit available
- Composite suite packer and screw pack also available

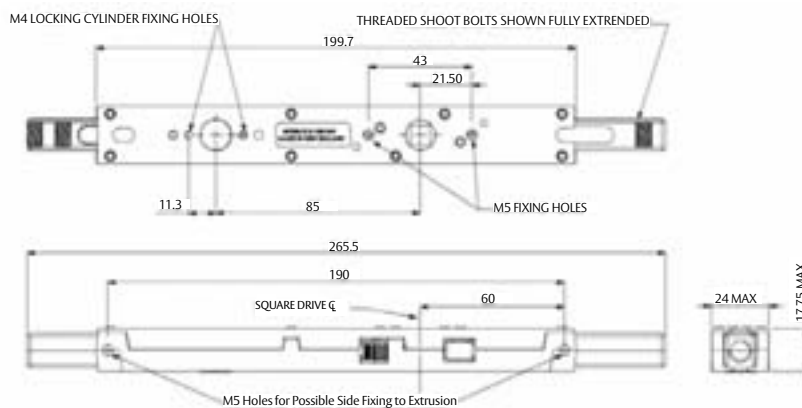
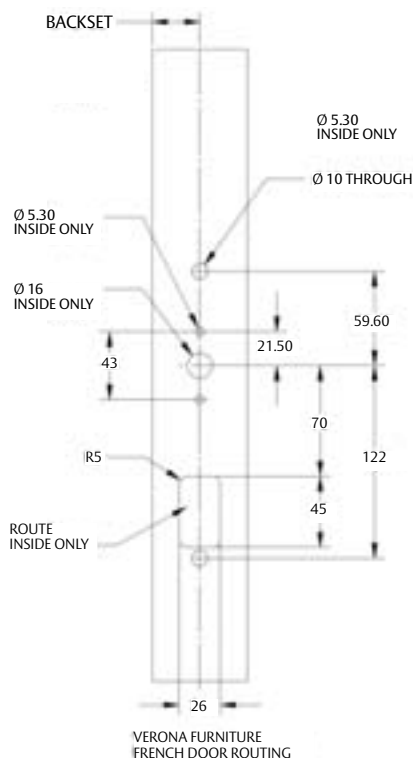
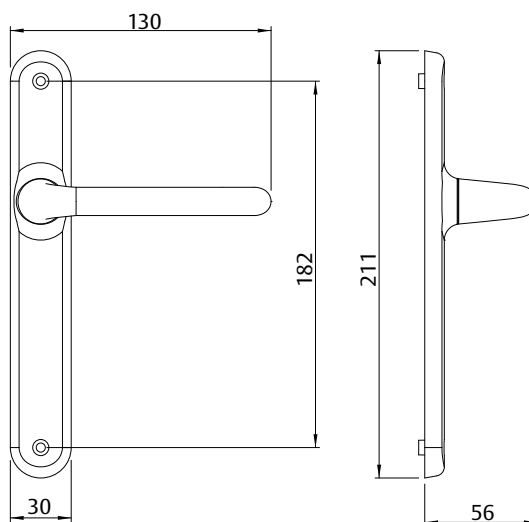
\* Verona handle option shown



# Twin Bolt French Doors

INTERLOCK™

ASSA ABLOY



**Note:** Fits doors with a minimum cavity of 18mm x 24mm

ASSA ABLOY New Zealand Ltd.  
PO Box 100407, North Shore  
North Shore City 0745

6 Armstrong Road, Albany  
North Shore City 0632  
New Zealand

Within New Zealand:  
Tel 09 415 8031  
Fax 0800 478 297  
www.assaabloy.co.nz

Outside New Zealand:  
Tel +64 9 921 7630  
Fax +64 9 921 6504  
www.assaabloy.co.nz

ASSA ABLOY, the global leader  
in door opening solutions.

# Entrance Pull Handle Sets



ASSA ABLOY

ASSA ABLOY, the global leader  
in door opening solutions.



Designed with style in mind, the Lockwood Pull Handle series provides a range of quality architectural handles. Featuring nine contemporary stainless steel styles available in three different lengths to suit both residential and commercial applications. For use on glass, aluminium and wooden doors, this versatile range enhances any entrance door.

## Features

- Suitable for use on timber, aluminium and glass doors
- Supplied with fixings for glass doors: 10mm to 12mm thick
- Supplied with fixings for timber and aluminium doors: up to 50mm thick
- Architectural grade stainless steel

## Options

- A range of handles are available with back to back lengths of 300mm, 450mm or 600mm
- Single fixing kits available

# Entrance Pull Handle Sets

## Off Set Pull Handles



ASSA ABLOY

**146**

Dimensions:	A	B
L146X450SSS	450mm	475mm
L146X600SSS	600mm	625mm

**147**

Dimensions:	A	B
L147X450SSS	450mm	600mm

**151**

Dimensions:	A	B
L151X300SSS	300mm	332mm

**192**

Dimensions:	A	B
L192X450SSS	450mm	482mm
L192X600SSS	600mm	632mm

**231**

Dimensions:	A	B
L231X300SSS	300mm	332mm

RES-FLY-011\_0509NZ



# Entrance Pull Handle Sets



ASSA ABLOY

ASSA ABLOY, the global leader  
in door opening solutions.



Designed with style in mind, the Lockwood Pull Handle series provides a range of quality architectural handles. Featuring nine contemporary stainless steel styles available in three different lengths to suit both residential and commercial applications. For use on glass, aluminium and wooden doors, this versatile range enhances any entrance door.

## Features

- Suitable for use on timber, aluminium and glass doors
- Supplied with fixings for glass doors: 10mm to 12mm thick
- Supplied with fixings for timber and aluminium doors: up to 50mm thick
- Architectural grade stainless steel

## Options

- A range of handles are available with back to back lengths of 300mm, 450mm or 600mm
- Single fixing kits available

# Entrance Pull Handle Sets

## Pull Handles



ASSA ABLOY

**141**

Dimensions:	A	B
L141X300SSS	300mm	450mm
L141X450SSS	450mm	600mm
L141X600SSS	600mm	750mm

**142**

Dimensions:	A	B
L142X300SSS	300mm	450mm
L142X450SSS	450mm	600mm
L142X600SSS	600mm	750mm

**143**

Dimensions:	A	B
L143X300SSS	300mm	315mm
L143X450SSS	450mm	465mm
L143X600SSS	600mm	615mm

**145**

Dimensions:	A	B
L145X225SSS	225mm	300mm
L145X375SSS	375mm	450mm
L145X525SSS	525mm	600mm

RES-FHY-015 07 09NZ

ASSA ABLOY New Zealand Ltd.  
PO Box 100407, North Shore  
North Shore City 0745

6 Armstrong Road, Albany  
North Shore City 0632  
New Zealand

Within New Zealand:  
Tel 09 415 8031  
Fax 0800 478 297  
[www.assaabloy.co.nz](http://www.assaabloy.co.nz)

Outside New Zealand:  
Tel +64 9 921 7630  
Fax +64 9 921 6504  
[www.assaabloy.co.nz](http://www.assaabloy.co.nz)

ASSA ABLOY, the global leader  
in door opening solutions.

# Entrance Set Capri

**INTERLOCK™**  
**ASSA ABLOY**

ASSA ABLOY, the global leader  
in door opening solutions.



The Capri Securi-Handle set is an elegant locking entrance set for timber and fibreglass doors. With a choice of lever or knob for internal handle, the Capri Securi-Handle set compliments contemporary styled joinery.

## Features

- Adjustable 60-70mm backset
- Suitable for door thicknesses between 35-45mm
- Can be keyed alike to other ASSA ABLOY CYL4™ locks for one key convenience

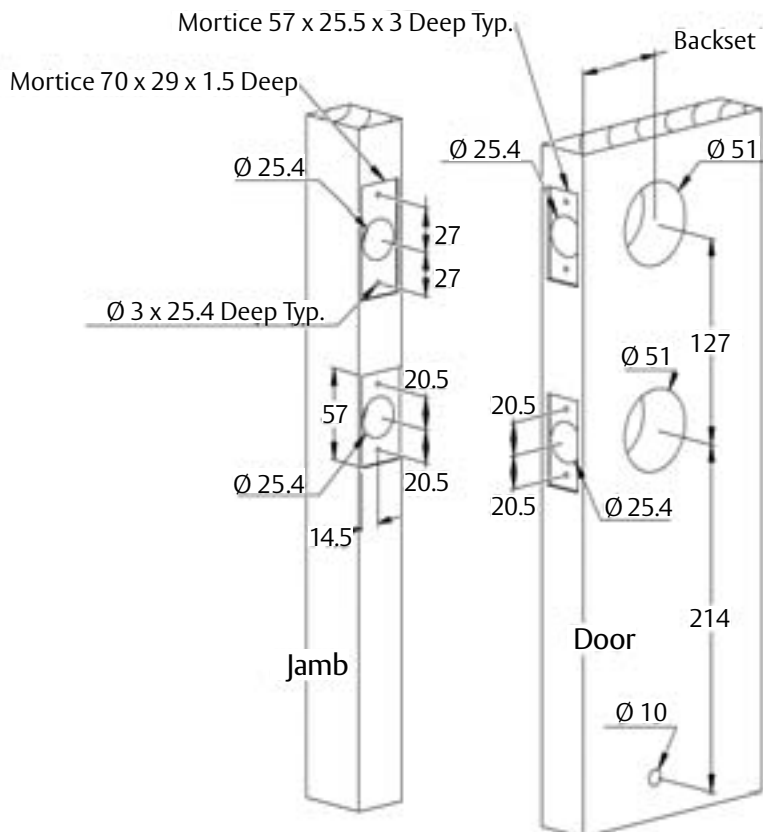
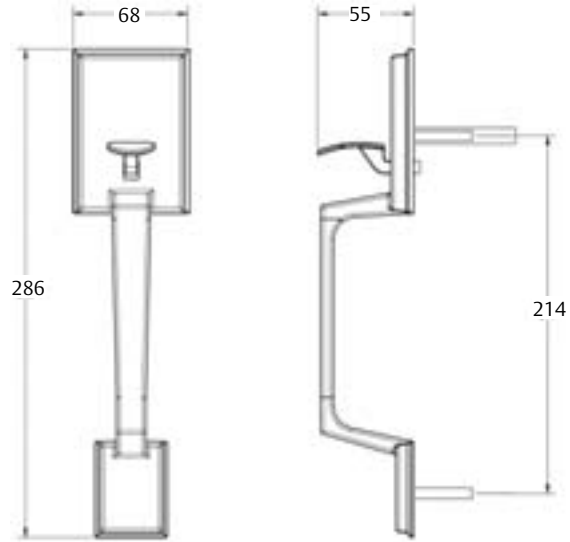
## Options

- Deadbolt double cylinder or cylinder and turnknob
- Supplied as standard with 5-pin cylinders with 6-pin cylinder option available
- MC35 Securiturn removable thumbturn available as an accessory for double cylinders
- Available in satin chrome plate or polished brass finish

# Capri

## Key in Knob

**INTERLOCK™**  
**ASSA ABLOY**



RES-FLY-052-04-10NZ

ASSA ABLOY New Zealand Ltd.  
PO Box 100407, North Shore  
North Shore City 0745

6 Armstrong Road, Albany  
North Shore City 0632  
New Zealand

Within New Zealand:  
Tel 09 415 8031  
Fax 0800 478 297  
www.assaabloy.co.nz

Outside New Zealand:  
Tel +64 9 921 7630  
Fax +64 9 921 6504  
www.assaabloy.co.nz

ASSA ABLOY, the global leader  
in door opening solutions.

# Entrance Set Mayfair

**INTERLOCK™**  
**ASSA ABLOY**

ASSA ABLOY, the global leader  
in door opening solutions.



The Mayfair Securi-Handle set is an elegant locking entrance set for timber and fibreglass doors. With a choice of lever or knob for internal handle, the Mayfair Securi-Handle set compliments a range of joinery styles.

## Features

- Adjustable 60-70mm backset
- Suitable for door thicknesses between 35-45mm
- Can be keyed alike to other ASSA ABLOY CYL4™ locks for one key convenience

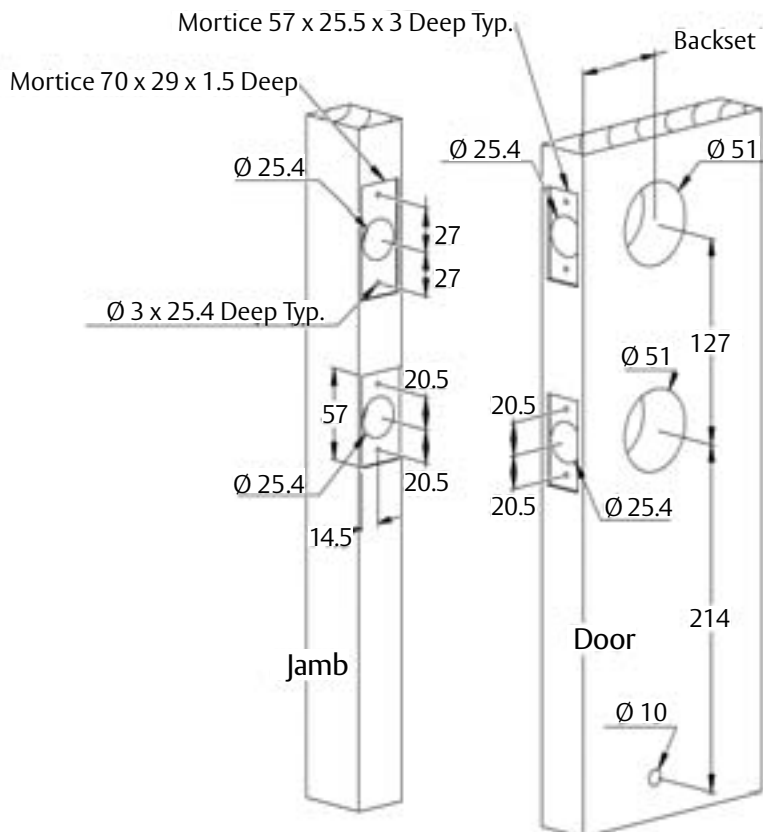
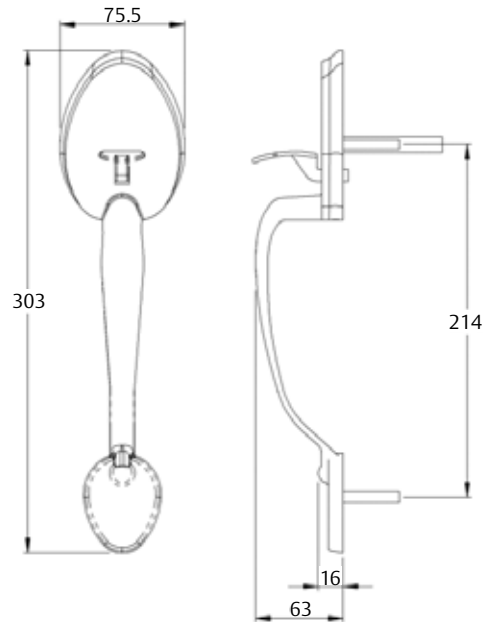
## Options

- Deadbolt double cylinder or cylinder and turn knob
- Supplied as standard with 5-Pin cylinders with 6-Pin cylinder option available
- MC35 Securiturn removable thumbturn available as an accessory for double cylinders
- Available in satin chrome plate or polished brass finish

# Mayfair

## Key in Knob

**INTERLOCK™**  
**ASSA ABLOY**



RES-FLY-051\_04-10NZ

ASSA ABLOY New Zealand Ltd.  
PO Box 100407, North Shore  
North Shore City 0745

6 Armstrong Road, Albany  
North Shore City 0632  
New Zealand

Within New Zealand:  
Tel 09 415 8031  
Fax 0800 478 297  
www.assaabloy.co.nz

Outside New Zealand:  
Tel +64 9 921 7630  
Fax +64 9 921 6504  
www.assaabloy.co.nz

ASSA ABLOY, the global leader  
in door opening solutions.

# Entrance Set Orbit

**INTERLOCK™**  
**ASSA ABLOY**

ASSA ABLOY, the global leader  
in door opening solutions.



The Orbit knob style, from the Securcraft range, offers durable locking and non-locking options for timber and fibreglass doors.

## Features

- Adjustable 60-70mm backset
- Suitable for door thicknesses between 35-45mm
- Can be keyed alike to other ASSA ABLOY CYL4™ locks for one key convenience

## Options

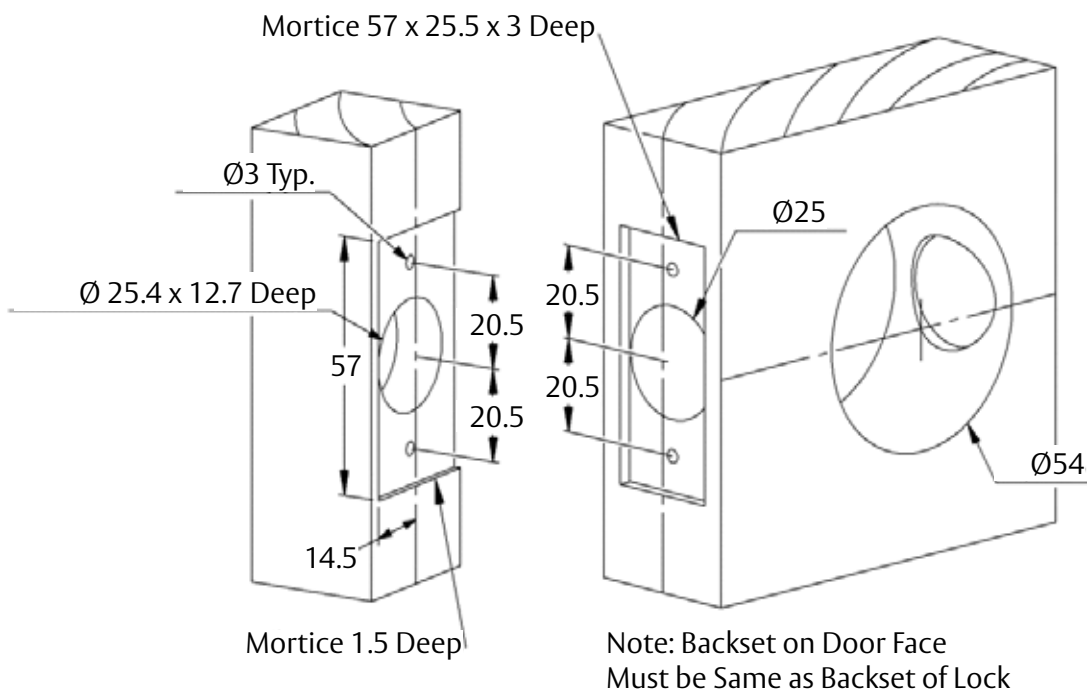
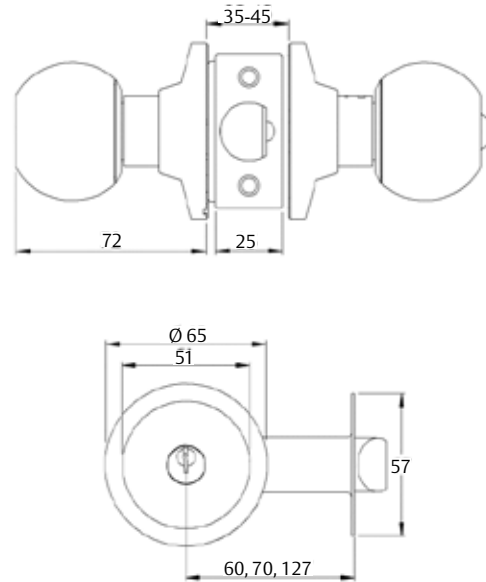
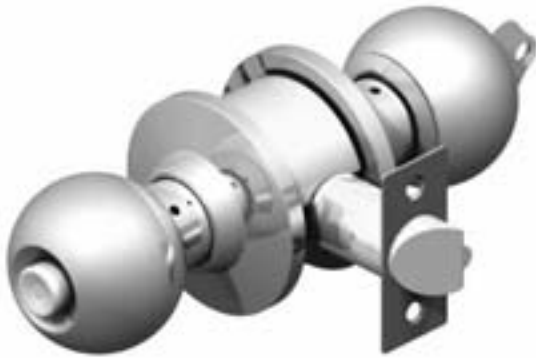
- Combo set with deadbolt and cylinder and turnbutton lockset
- Combo sets available with double cylinder or cylinder and turnknob deadbolt
- Entrance set with cylinder and push button
- Entrance set with double cylinder
- Privacy set with push button and emergency release
- Passage set
- Dummy knob
- Available in 127mm backset for aluminium joinery
- Supplied as standard with 5-pin cylinders with 6-pin cylinder option available
- MC35 Securiturn removable thumbturn available as an accessory for double cylinder deadbolts
- Available in satin chrome, antique brass or polished brass finish



# Orbit

## Key in Knob

**INTERLOCK™**  
**ASSA ABLOY**



RES-EV-053-04-10NZ



# Entrance Set Hawthorn

**INTERLOCK™**  
**ASSA ABLOY**

ASSA ABLOY, the global leader  
in door opening solutions.



The Hawthorn lever style, from the Securicraft range, offers durable locking and non-locking options for timber and fibreglass doors.

## Features

- Non-handed lever style
- Models to suit all applications inside the house
- Adjustable 60-70mm backset
- Suitable for door thicknesses between 35-45mm
- Can be keyed alike to other ASSA ABLOY CYL4™ locks for one key convenience

## Options

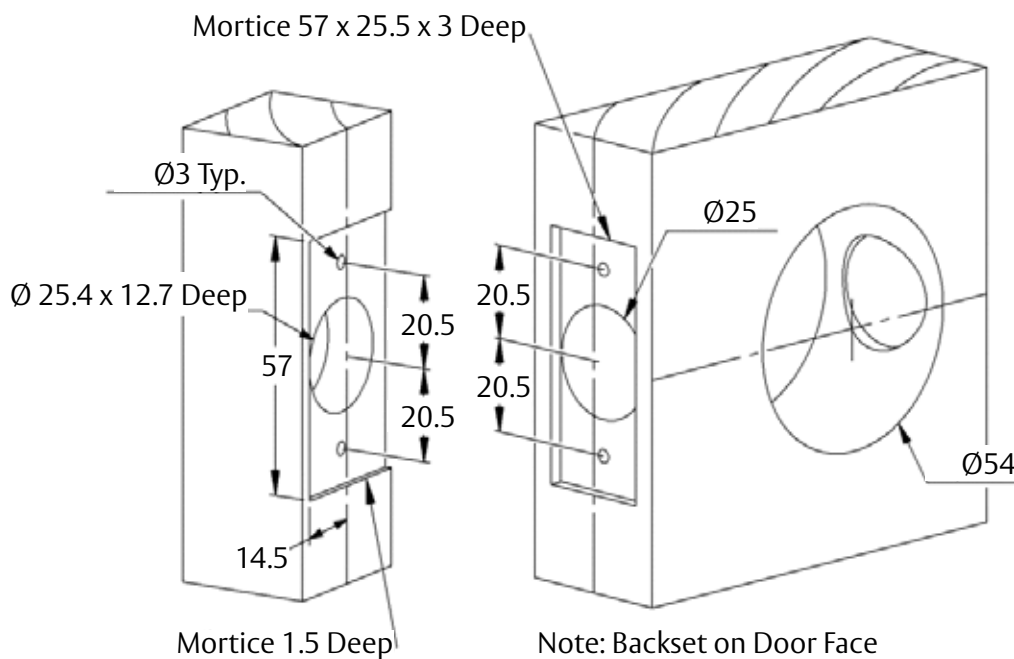
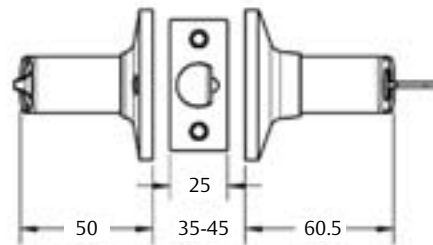
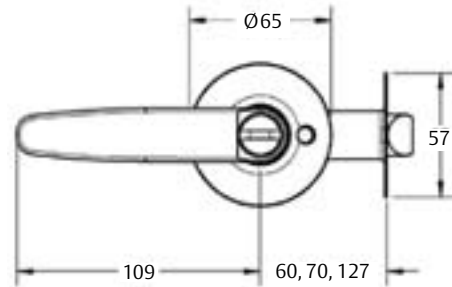
- Combo set with deadbolt and cylinder and turnknob lockset
- Combo sets available with double cylinder or cylinder and turnknob deadbolt
- Entrance set with cylinder and turnknob
- Privacy set with turnknob and emergency release
- Passage set
- Dummy lever
- Can be chosen as the interior lever of the Capri and Mayfair handle sets
- Available in 127mm backset for aluminium joinery
- Supplied as standard with 5-Pin cylinders with 6-Pin cylinder option available
- MC35 Securiturn removable thumbturn available as an accessory for double cylinder deadbolts
- Available in satin chrome plate or polished brass finish



# Hawthorn

## Key in Knob

**INTERLOCK™**  
**ASSA ABLOY**



Note: Backset on Door Face  
Must be Same as Backset of Lock

# Entrance Set Queen

**INTERLOCK™**  
**ASSA ABLOY**

ASSA ABLOY, the global leader  
in door opening solutions.



The Queen lever style, from the Securicraft range, offers durable locking and non-locking options for timber and fibreglass doors.

## Features

- Handing must be specified when ordering Queen entrance sets and dummy levers. All other Queen models are handable on site
- Models to suit all applications inside the house
- Adjustable 60-70mm backset
- Suitable for door thicknesses between 35-45mm
- Can be keyed alike to other ASSA ABLOY CYL4™ for one key convenience

## Options

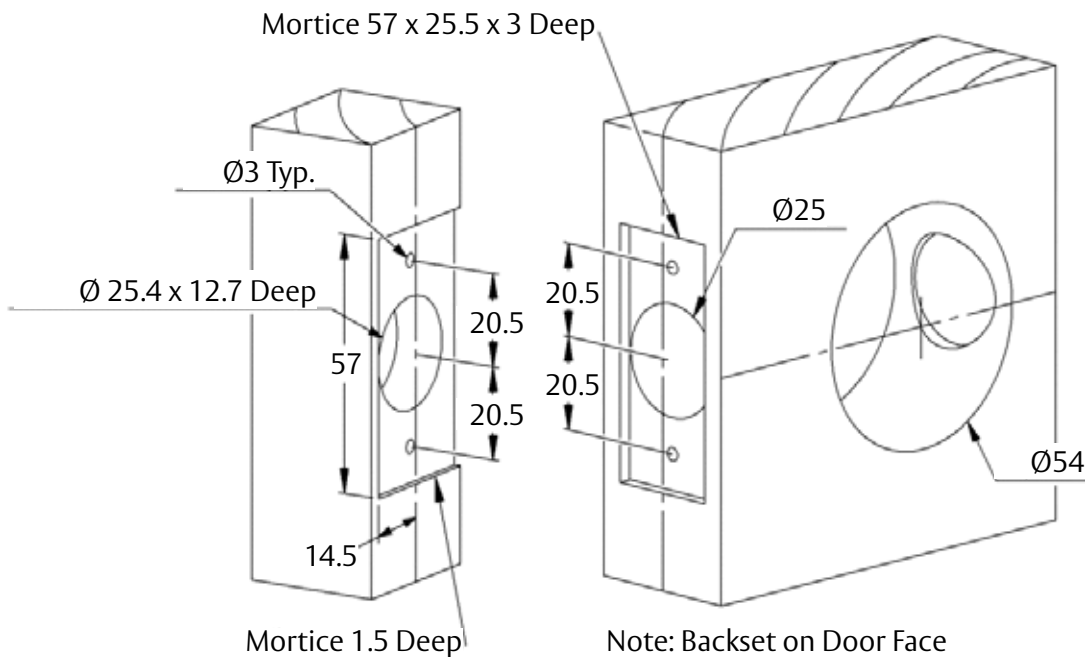
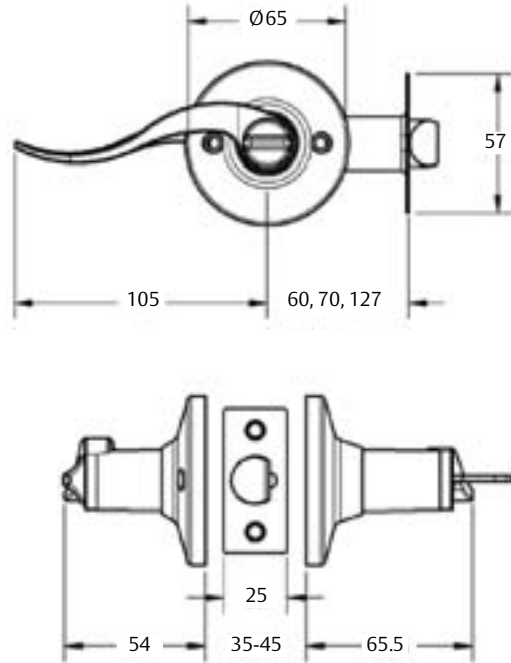
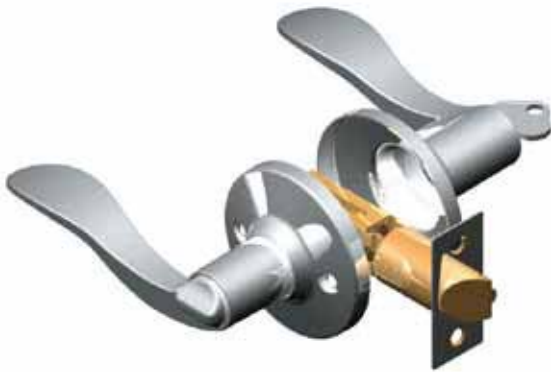
- Combo set with deadbolt and cylinder and turnknob lockset
- Combo sets available with double cylinder or cylinder and turnknob deadbolt
- Entrance set with cylinder and turnknob
- Privacy set with turn and emergency release
- Passage set
- Dummy lever
- Can be chosen as the interior lever of the Capri and Mayfair handle sets
- Available in 127mm backset for aluminium joinery
- Supplied as standard with 5-Pin cylinders with 6-Pin cylinder option available
- MC35 Securiturn removable thumbturn available as an accessory for double cylinder deadbolts
- Available in satin chrome plate or polished brass finish



# Queen

## Key in Knob

**INTERLOCK™**  
**ASSA ABLOY**



Note: Backset on Door Face  
Must be Same as Backset of Lock

# Palladium Door Handle Sets

ASSA ABLOY

ASSA ABLOY, the global leader  
in door opening solutions.



The Palladium series is offered in six lever styles. The handles have been created specifically for external doors with a long plate design which complements aluminium joinery. By having a range of levers, also available on other escutcheons within ASSA ABLOY's product range, customers can achieve a consistent look throughout the home by matching their internal and external door hardware.

## Features

- Can be used with Optimum and Twin Bolt locksets
- New springing detail improves feel and performance
- Non-handed
- Strong zinc die-cast construction
- Fixing details identical to Verona handles, ideal for replacement situations
- New Zealand made

## Options

- Locking
- Non-locking
- Fixed (dummy)
- Available in a wide range of powdercoat colours and satin chrome finish

## Palladium Styles



Aria (27)



Hakea (28)



Acacia (29)



Saltbush (34)



Summit (L1)



Spire (L2)

\* Aria style shown

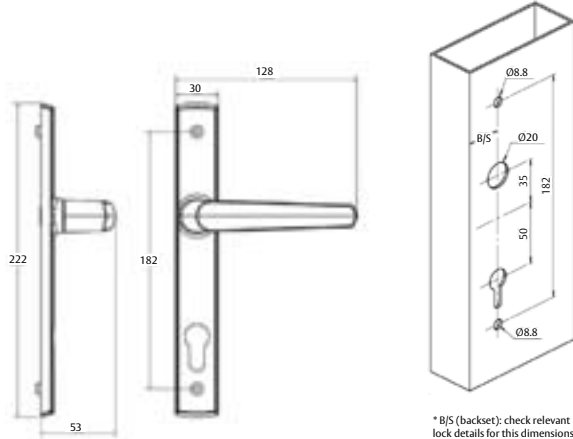
# Palladium

## Door Handle Sets

INTERLOCK™

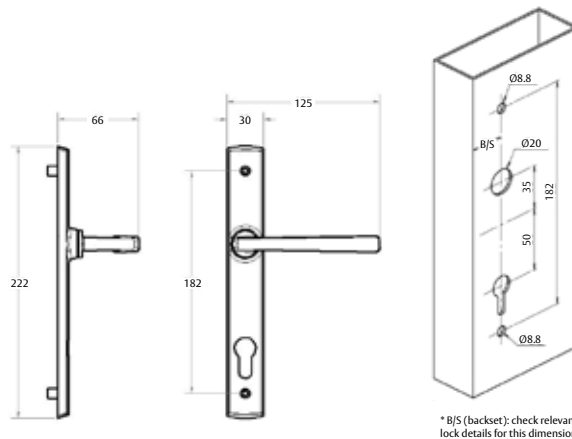
ASSA ABLOY

Aria (27)



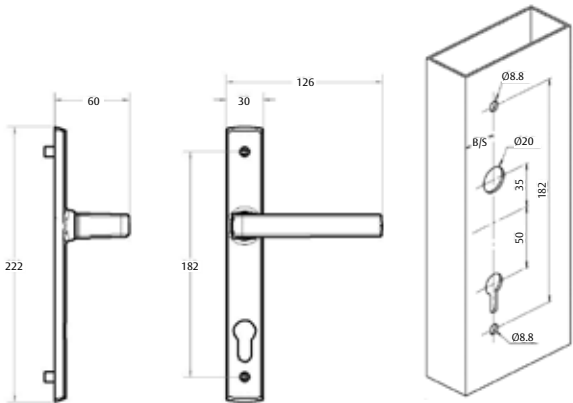
\* B/S (backset): check relevant lock details for this dimensions

Hakea (28)



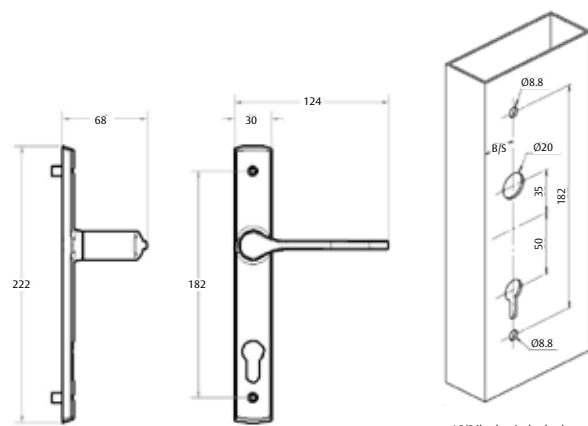
\* B/S (backset): check relevant lock details for this dimensions

Acacia (29)



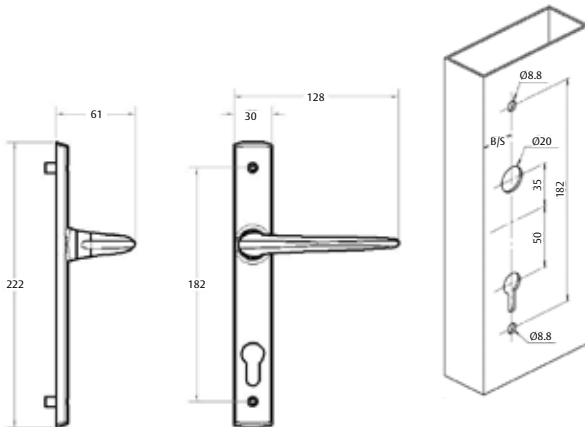
\* B/S (backset): check relevant lock details for this dimensions

Saltbush (34)



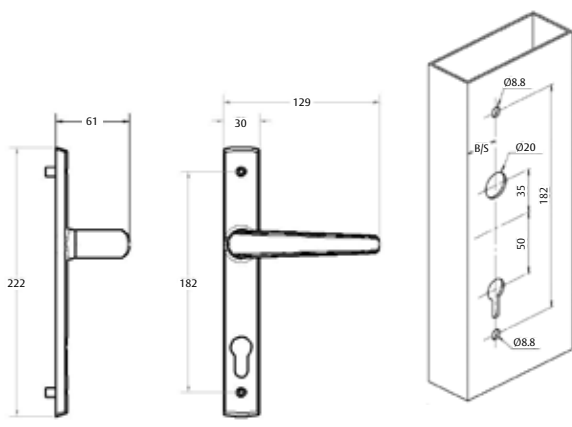
\* B/S (backset): check relevant lock details for this dimensions

Summit (L1)



\* B/S (backset): check relevant lock details for this dimensions

Spire (L2)



\* B/S (backset): check relevant lock details for this dimensions

RES-FLY-058-04-10NZ

ASSA ABLOY New Zealand Ltd.  
PO Box 100407, North Shore  
North Shore City 0745

6 Armstrong Road, Albany  
North Shore City 0632  
New Zealand

Within New Zealand:  
Tel 09 415 8031  
Fax 0800 478 297  
www.assaabloy.co.nz

Outside New Zealand:  
Tel +64 9 921 7630  
Fax +64 9 921 6504  
www.assaabloy.co.nz

ASSA ABLOY, the global leader  
in door opening solutions.



# Verona Door Handle Set

INTERLOCK™

ASSA ABLOY

ASSA ABLOY, the global leader  
in door opening solutions.



The Verona handle complements any hinged door lock as a quality and stylish door accessory. The Verona is used with short backset lock mechanisms and has a full-grip lever.

## Features

- Can be used with Optimum locksets
- Strong zinc die-cast construction
- New handle springing mechanism
- Conveniently non-handed
- The interior screws mean a higher level of security as they cannot be accessed from the outside
- New Zealand made

## Options

- Locking
- Non-Locking
- Fixed (dummy)
- Available in a wide range of powdercoat colours and plated finish

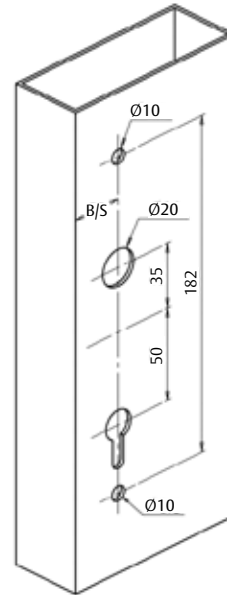


# Verona

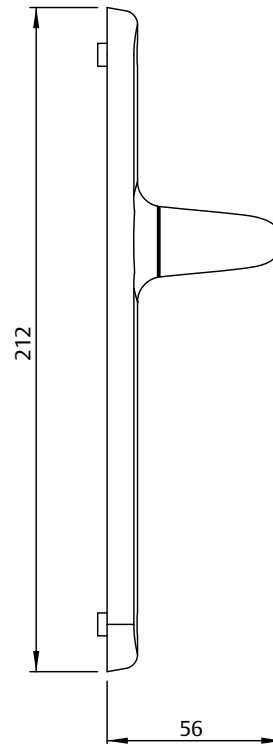
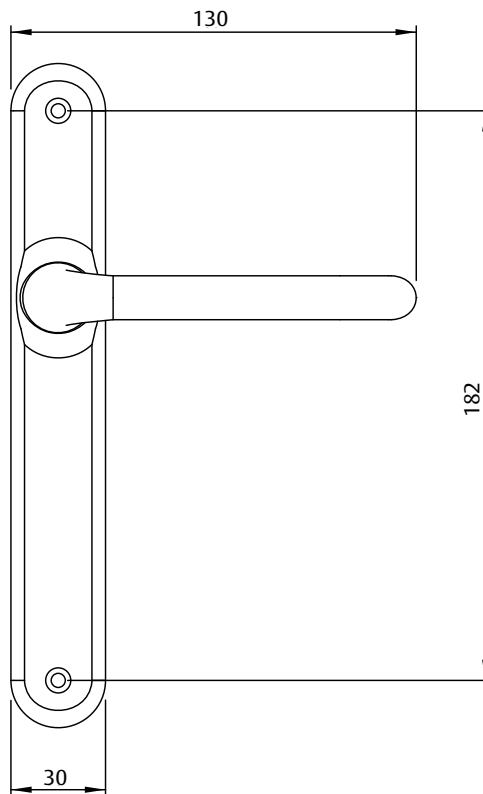
## Door Handle Set

INTERLOCK™

ASSA ABLOY



\* B/S (backset): check relevant lock details for this dimensions



RES-FLY-060-04-10NZ

ASSA ABLOY New Zealand Ltd.  
PO Box 100407, North Shore  
North Shore City 0745

6 Armstrong Road, Albany  
North Shore City 0632  
New Zealand

Within New Zealand:  
Tel 09 415 8031  
Fax 0800 478 297  
[www.assaabloy.co.nz](http://www.assaabloy.co.nz)

Outside New Zealand:  
Tel +64 9 921 7630  
Fax +64 9 921 6504  
[www.assaabloy.co.nz](http://www.assaabloy.co.nz)

ASSA ABLOY, the global leader  
in door opening solutions.



# Digital Lock Set

**INTERLOCK™**  
**ASSA ABLOY**

ASSA ABLOY, the global leader  
in door opening solutions.

ASSA ABLOY has set the standard for affordability and functionality with the new and improved Securcraft Digital Entrance Set, making it the ideal solution for digital keyless entry. This upgraded model now includes the hold-open snib as a standard feature adding convenience for free entry whenever access control is not required.

## Features

- Entry by key pad, exit by lever
- Resettable code, recommend use of 4 to 6 digit combinations
- Suits right or left hand doors – inward or outward opening
- Easy to use, no wiring or batteries required
- The standard application is a 60mm backset
- Standard set accommodates an increased range of door thicknesses, now between 34-54mm
- Inside handle provided with snib to hold back latch for greater convenience
- Available in satin chrome
- For use with commercial and domestic wooden doors

## Options

- A 70mm backset is also available to order separately as are kits for retrofitting to Key n Knob setups, catering to almost any door application.

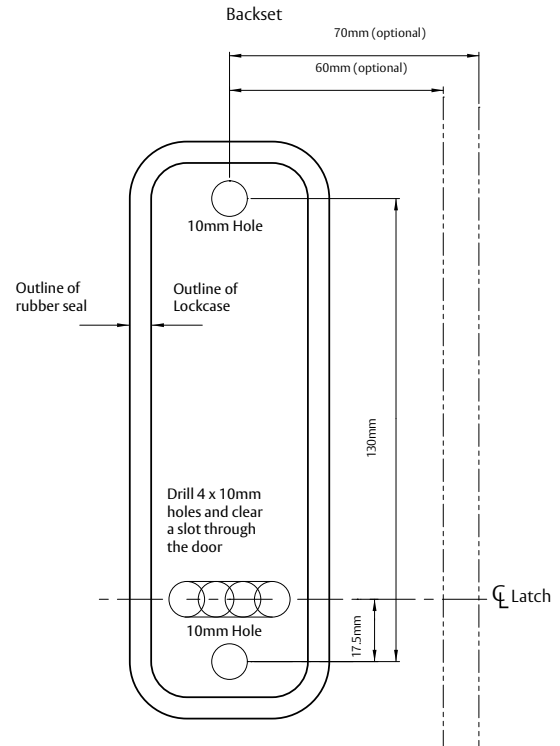


# Digital Lockset

## Digital Entrance Set



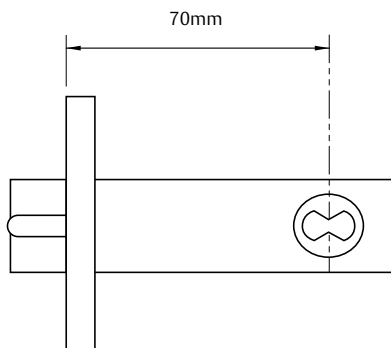
### Fitting Dimensions



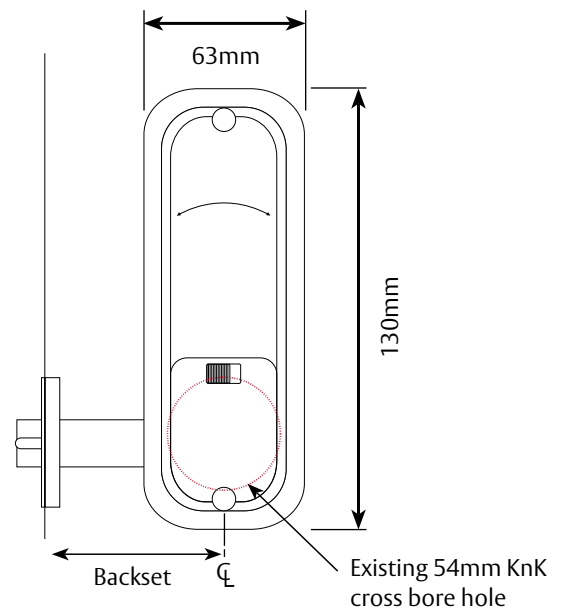
### Accessories not included:

Fitting in place of existing Key n Knob lockset will require a pair of KnK replacement backing plates.  
Part No. SL2000RBP

#### 70mm Backsets Latch Assembly



Fitting to 70mm Backset will require a replacement latch.  
Part No. SL2000DL70SC





ASSA ABLOY offers a complete range of quality cylinders. There are a number of cylinder types available, each offering a range of functional and security-oriented features.

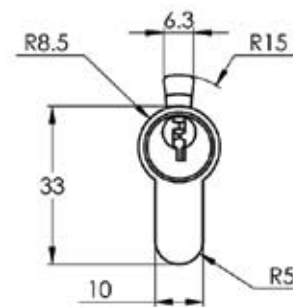
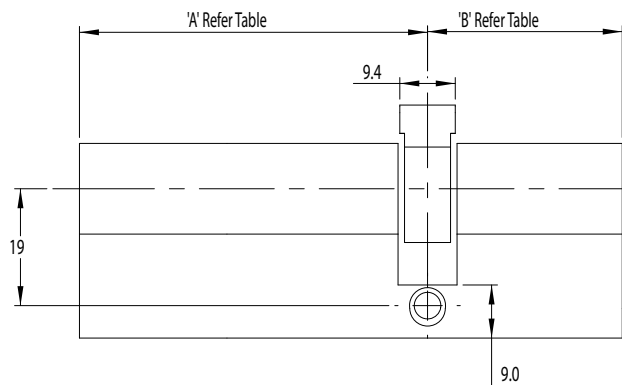
### Features:

- Can be keyed alike to other ASSA ABLOY CYL4™ cylinders for one key convenience
- Construction key and master key systems are available upon request
- The Oval, Euro, Rim, and Key N Knob series are C4 compatible and available in 5 or 6-pin options
- **Euro Cylinder Note:** P3000E Emergency type double cylinder assemblies are MC35 Securiturn™ compatible

### Key Compatible Cylinder Types:

- C4 Pin Cylinder
  - P3000 Euro Cylinder Series
  - MC570 Oval Cylinder Series
  - MC17 Rim Cylinder Series
  - MC2600 Key N Knob Cylinder Series
  - 180250 Albany Sliding Door Cylinder
- C4 Wafer Cylinder
  - CYL4 Wafer Cylinder

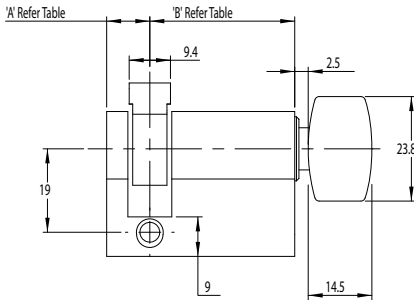
### E Type Cylinder



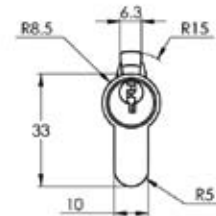
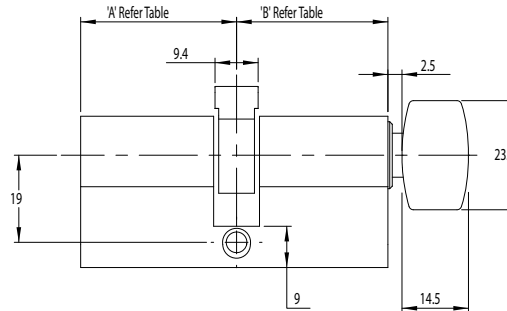
### EURO 'E' TYPE DOUBLE CYLINDER

PART NUMBER	FINISH	NO. OF PINS	A	B	COMMENTS/DESCRIPTIONS
P33016E	S/CHROME	5	62	32	5 PIN C4 WITH 5 PIN TRAP CUT MC35
P33022E	S/CHROME	5	31	31	5 PIN C4 WITH 5 PIN TRAP CUT MC35
P33040E	S/CHROME	5	40	40	5 PIN C4 WITH 5 PIN TRAP CUT MC35
P33235E	S/CHROME	5	38	38	5 PIN C4 WITH 5 PIN TRAP CUT MC35
P33024E	S/CHROME	5/3	31	21	5 PIN C4 WITH 3 PIN V CUT MC35
P33260E	S/CHROME	5	33	48	5 PIN C4 WITH 5 PIN TRAP CUT MC35
P33274E	S/CHROME	5/3	51	21	5 PIN C4 WITH 3 PIN V CUT MC35
P33275E	S/CHROME	3	21	21	5 PIN C4 WITH 3 PIN V CUT MC35
P33276E	S/CHROME	5	34	34	5 PIN C4 WITH 3 PIN V CUT MC35
P33280E	S/CHROME	3	24	24	5 PIN C4 WITH 3 PIN V CUT MC35

### Half Cylinder



### Full Cylinder



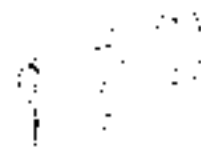
### EURO CYLINDERS – FIXED CAM

PART NUMBER	FINISH	NO. OF PINS	A	B	COMMENTS / DESCRIPTION
P33021	S/CHROME	5	45	45	EXTENDED DOUBLE KEYED TO J001
P33230	POL BRASS	5	10	47.5	HALF CYLINDER TURN KNOB
P33231	S/CHROME	5	10	47.5	HALF CYLINDER TURN KNOB
P33032	POL BRASS	5	31	31	KEY & TURN KNOB
P33033	POL BRASS	5	31	31	DOUBLE KEYED
P33034	S/CHROME	5	31	31	KEY & TURN KNOB
P33035	S/CHROME	5	31	31	DOUBLE KEY
P33045	S/CHROME	5	10	31	HALF CYLINDER KEYED
P33046	S/CHROME	6	35	35	DOUBLE KEYED WITH GRUB SCREW TOP PIN CLOSURE
P33047	S/CHROME	6	35	35	KEY & TURN KNOB WITH GRUB SCREW TOP PIN CLOSURE
P33048	POL BRASS	5	10	31	HALF CYLINDER KEYED
P33260	S/CHROME	5	32.5	47.5	OFFSET CYLINDER DOUBLE KEY
P33261	S/CHROME	5	32.5	47.5	OFFSET CYLINDER KEY & TURN KNOB
P33262	POL BRASS	5	32.5	47.5	OFFSET CYLINDER DOUBLE KEY
P33263	POL BRASS	5	32.5	47.5	OFFSET CYLINDER KEY & TURN KNOB
P33264	S/CHROME	5	10	47.5	HALF CYLINDER KEYED
P33265	POL BRASS	5	10	47.5	HALF CYLINDER KEYED
P33277	S/CHROME	5	34	34	5 PIN C4
P33278	S/CHROME	5	10	34	HALF CYLINDER TURN KNOB
P33279	S/CHROME	5	10	34	HALF CYLINDER 5 PIN C4
P33066	S/CHROME	4	10	25.5	HALF CYLINDER KEYED TO J81-J90
P33067	POL BRASS	4	10	25.5	HALF CYLINDER KEYED
P33071	POL BRASS	6	35	35	KEY & TURN KNOB
P33072	POL BRASS	6	35	35	DOUBLE KEYED
P33092	S/CHROME	5	10	31	HALF CYLINDER TURN KNOB
P33093	POL BRASS	5	10	31	HALF CYLINDER TURN KNOB
P33245	S/CHROME	5	10	37.5	HALF CYLINDER KEYED
P33292	S/CHROME	5	10	37.5	HALF CYLINDER TURN KNOB
P33235	S/CHROME	5	37.5	37.5	EXTENDED DOUBLE KEYED
P33234	S/CHROME	5	37.5	37.5	EXTENDED KEY & TURN KNOB
P33233	POL BRASS	5	37.5	37.5	EXTENDED DOUBLE KEYED
P33232	POL BRASS	5	37.5	37.5	EXTENDED KEY & TURN KNOB
P33231	S/CHROME	5	32.5	47.5	OFFSET TURN KNOB
P33230	POL BRASS	5	32.5	47.5	OFFSET TURN KNOB
P33017	S/CHROME	5	62	32	OFFSET CYLINDER TURN KNOB
P33041	S/CHROME	5	40	40	EXTENDED CYLINDER KEY & TURN KNOB
P33042	S/CHROME	5	10	40	HALF CYLINDER KEYED
P33043	S/CHROME	5	10	40	HALF CYLINDER TURN KNOB

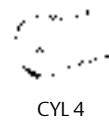
### EURO CYLINDERS – FLOATING/LAZY CAM

PART NUMBER	FINISH	NO. OF PINS	A	B	COMMENTS / DESCRIPTION
P33119	S/CHROME	5	37.5	37.5	EXTENDED DOUBLE KEYED WITH 143° LOST MOTION CAM
P33097	S/CHROME	5	31	31	DOUBLE KEYED WITH 143° LOST MOTION CAM

### Key Compatible Cylinders



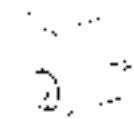
P3000 Series



CYL 4



MC570 Series



MC17 Series



MC2600 Series



180250

# SECTION G

ADDITIONAL SECURITY



ADDITIONAL  
SECURITY





**SECTION G ADDITIONAL SECURITY**

PAGE NUMBER

**Window Restrictors****1 - 2**

Securistay

1 - 2

**Window Bolts****3 - 8**

Window Bolt

3

Sashlock

3

Ventlock

4

Multibolt

4 - 5

Presslock

5

Pushlock

6 - 7

Midibolt

7 - 8

**Door Bolts****9 - 11**

Patiobolt

9 - 10

Lockbolt

11

**Door Security Accessories****12 - 13**

Doorbolt

12

Securichain

12

Door Guard

12

Hingebolt

13

Door Viewer

13

Door Closer

13

Magnetic Latch

13

**Cylinder Rim Lock****14**

Nightlatch

14

**Keying****15 - 19**

Key Blanks

15

Secureturn Removable Thumbturn

16

Keying Services

17

CYL4 Version 2 Components

18

CYL4 Version 1 Components

19

Description

Finish

Part Number

Restrictors

**INTERLOCK™**

Securistay


## WINDOW STAY FOR VENTILATION

Suitable for these types of windows:  Timber



DISPLAY PACK		
Single Pack	Brown	P348BR
Single Pack	White	P348W
Four Pack	White	P348W4
TRADE PACK		
Single Pack	Black	P348BLKLS
Single Pack	Brown	P348BRLS
Single Pack	White	P348WLS

Note: Minimum order quantity 20 units.

Suitable for these types of windows:  Aluminium



DISPLAY PACK		
Single Pack	Black	P388B
Single Pack	Silver	P388S
Single Pack	White	P388W
Four Pack	Black	P388B4
Four Pack	White	P388W4
TRADE PACK		
Single Pack	Black	P388BLS
Single Pack	Silver	P388SLS
Single Pack	White	P388WLS
Single Pack	Pearl White	P388PWLS
Single Pack	Special	P388(SPEC)LS

Note: Minimum order quantity 20 units excluding Special Colours.

Description	Finish	Part Number
-------------	--------	-------------

Securistay continued...

ACCESSORIES

TRADE PACK



Securistay Key	Stainless Steel	C2394
----------------	-----------------	-------

P348 Screws for Timber Windows



6 Gauge x 30mm C/Sunk	Zinc	M1159
-----------------------	------	-------

P388 SCREWS FOR ALUMINIUM WINDOWS

DISPLAY PACK



6 Gauge x 8mm C/Sunk Blunt	Stainless Steel	MC68SS
6 Gauge x 10mm C/Sunk Blunt	Stainless Steel	MC610SS
6 Gauge x 12.5mm C/Sunk Blunt	Stainless Steel	MC6125SS
6 Gauge x 14.5mm C/Sunk Blunt	Stainless Steel	MC6145SS

TRADE PACK

6 Gauge x 8mm C/Sunk Blunt	Stainless Steel	P68SS
6 Gauge x 10mm C/Sunk Blunt	Stainless Steel	P610SS
6 Gauge x 12.5mm C/Sunk Blunt	Stainless Steel	P6125SS
6 Gauge x 14.5mm C/Sunk Blunt	Stainless Steel	P6145SS

Note: Minimum order quantity 200 units.



Description

Finish

Part Number

## Window Bolts

Securicraft®

### Window Bolt

#### WINDOW BOLT - WITH SPLINE KEY

Suitable for these types of windows:  Timber




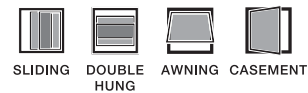
##### DISPLAY PACK

Locking Bolt	Polished Brass	MC14PB
Locking Bolt	White	MC14W

## Sashlock

#### WINDOW LOCK - C4 COMPATIBLE

Suitable for these types of windows:  Aluminium



##### DISPLAY PACK

Face Fix	Black	MC76C4BLK
Sub Fix	Black	MC78C4BLK

##### TRADE PACK


Face Fix	Black	MC76C4BLKLS
Face Fix	Special	MC76C4(SPEC)LS
Sub Fix	Black	MC78C4BLKLS
Sub Fix	Special	MC78C4(SPEC)LS

Keyed Alike available in key numbers 102, 162, 435 and 762

Description	Finish	Part Number
-------------	--------	-------------

**Ventlock**

WINDOW LOCK - C4 COMPATIBLE

Suitable for these types of windows:  Aluminium  SLIDING



DISPLAY PACK		
Standard Keying	Black	MC70C4BLK
Standard Keying	Silver	MC70C4S

TRADE PACK		
Standard Keying	Black	MC70C4BLKLS
Standard Keying	Silver	MC70C4SLS
Standard Keying	Special	MC70C4(SPEC)LS

Keyed Alike available in key numbers: 102, 162, 435, 498 and 762.

**Multibolt**

WINDOW LOCK - C4 COMPATIBLE

Suitable for these types of windows:  Timber  uPVC  Aluminium  SLIDING  DOUBLE HUNG  AWNING  CASEMENT



DISPLAY PACK		
Standard Keying	Black	MC85C4BLK
Standard Keying	Brown	MC85C4BR
Standard Keying	Silver	MC85C4S
Standard Keying	White	MC85C4W

Keyed Alike available in key numbers: 102, 162, 435, 762 and 498.

TRADE PACK		
Standard Keying	Black	MC85C4BLKLS
Standard Keying	Brown	MC85C4BRLS
Standard Keying	Silver	MC85C4SLS
Standard Keying	White	MC85C4WLS
Standard Keying	Special	MC85C4(SPEC)LS

Keyed Alike available in key numbers: 102, 162, 435, 498 and 762.

Description

Finish

Part Number

## Multibolt continued...

### MULTIBOLT COMPONENTS

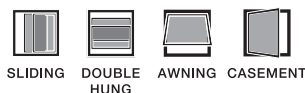


TRADE PACK		
Short Bolt - 26mm Reach	Zinc Plated	85C4BS
Long Bolt - 61mm Reach	Zinc Plated	85C4BL
Plastic Kit	Black	85C4KTBLK
Plastic Kit	Brown	85C4KTBR
Plastic Kit	Silver	85C4KTS
Plastic Kit	White	85C4KTW
<i>Note: Kit comprises of Body Packer and Screw Hole Cover Plugs.</i>		
Knob	Black	85/93C4KNBLK
Knob	Brown	85/93C4KNBR
Knob	Silver	85/93C4KNS
Knob	White	85/93C4KNW
Screw Pack - Square Drive		85C4SP

## Presslock

### WINDOW LOCK - C4 COMPATIBLE

Suitable for these types of windows: Timber





DISPLAY PACK		
Standard Keying	White	MC81C4W
TRADE PACK		
Standard Keying	Black	MC81C4BLKLS
Standard Keying	White	MC81C4WLS

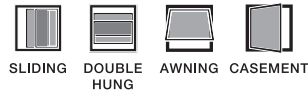
*Keyed Alike available in key numbers: 102, 162, 435, 498 and 762.*

Description	Finish	Part Number
-------------	--------	-------------

## Pushlock

### WINDOW LOCK - C4 COMPATIBLE

Suitable for these types of windows:  Timber  
 uPVC



DISPLAY PACK		
Standard Keying	Black	MC93C4BLK
Standard Keying	Brown	MC93C4BR
Standard Keying	Silver	MC93C4S
Standard Keying	White	MC93C4W
Standard Keying	Polished Brass	MC93C4PB
Standard Keying - Twin Pack	White	MC93C4WTW

Keyed Alike available in key numbers: 102, 162, 435, 762 and 498.

TRADE PACK		
Standard Keying	Black	MC93C4BLKLS
Standard Keying	Brown	MC93C4BRLS
Standard Keying	Silver	MC93C4SLS
Standard Keying	White	MC93C4WLS
Standard Keying	Polished Brass	MC93C4PBLS
Standard Keying	Special	MC93C4(SPEC)LS

Keyed Alike available in key numbers: 102, 162, 435, 498 and 762.

### PUSHLOCK COMPONENTS



TRADE PACK		
Standard Bolt - 24mm Reach	Zinc Plated	93C4B
Knob	Black	85/93C4KNBLK
Knob	Brown	85/93C4KNBR
Knob	Silver	85/93C4KNS
Knob	White	85/93C4KNW
Knob	Polished Brass	85/93C4KNPB
Screw Cover	Black	93C4CBK
Screw Cover	Brown	93C4CBR
Screw Cover	Silver	93C4CS
Screw Cover	White	93C4CW
Screw Cover	Polished Brass	93C4CPB

Description	Finish	Part Number
-------------	--------	-------------

## Pushlock continued...

### PUSHLOCK COMPONENTS CONTINUED...



TRADE PACK		
Packer	Black	93C4PBLK
Packer	Brown	93C4PBR
Packer	Silver	93C4PS
Packer	White	93C4PW
Packer	Polished Brass	93C4PPB
Screw Pack - Square Drive		93C4CSP
Ferrule for bolt hole	Stainless Steel	PQ9224

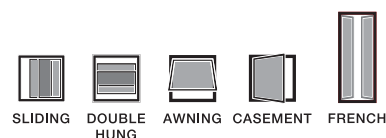


## Midibolt

### WINDOW LOCK - C4 COMPATIBLE

Suitable for these types of windows and doors:

- Timber
- uPVC
- Aluminium



DISPLAY PACK		
Standard Keying	Black	MC92C4BLK
Standard Keying	Brown	MC92C4BR
Standard Keying	Silver	MC92C4S
Standard Keying	White	MC92C4W
<i>Keyed Alike available in key numbers: 102, 162, 435, 762 and 498.</i>		
TRADE PACK		
Standard Keying	Black	MC92C4BLKLS
Standard Keying	Brown	MC92C4BRLS
Standard Keying	Silver	MC92C4SLS
Standard Keying	White	MC92C4WLS

*Keyed Alike available in key numbers: 102, 162, 435, 498 and 762.*

Description	Finish	Part Number
-------------	--------	-------------

Midibolt continued...

MIDIBOLT COMPONENTS



TRADE PACK		
Bolt 9.5mm (23mm reach)	Zinc Plated	92C4B
Long Bolt 9.5mm (43mm reach)	Zinc Plated	92C4BL
Knob	Black	82/92C4KNBLK
Knob	Brown	82/92C4KNBR
Knob	Silver	82/92C4KNS
Knob	White	82/92C4KNW
Screw Pack - Square Drive	Zinc Plated	92C4SP
Screw Cover	Black	92C4CBLK
Screw Cover	Brown	92C4CBR
Screw Cover	Silver	92C4CS
Screw Cover	White	92C4CW
Packer 4mm	Black	92C4PBLK
Packer 4mm	Brown	92C4PBR
Packer 4mm	Silver	92C4PS
Packer 4mm	White	92C4PW
Ferrule for Bolt Hole	Stainless Steel	PQ9224
Wire Spring	Stainless Steel	82/92S

Description

Finish

Part Number

## Door Bolts



## Patiobolt

### SECURE DEADLOCKING BOLT - C4 COMPATIBLE

Suitable for these types of doors:

- Timber
- uPVC
- Aluminium



HINGED



SLIDING



FRENCH



#### DISPLAY PACK

Standard Keying	Black	MC82C4BLK
Standard Keying	Brown	MC82C4BR
Standard Keying	Silver	MC82C4S
Standard Keying	White	MC82C4W
Standard Keying	Polished Brass	MC82C4PB
Standard Keying - Twin Pack	White	MC82C4WTW
Standard Keying - Twin Pack	Brown	MC82C4BRTW
Standard Keying - Twin Pack	Polished Brass	MC82C4PBTW

Keyed Alike available in key numbers: 102, 162, 435, 498 and 762.

#### TRADE PACK

Standard Keying	Black	MC82C4BLKLS
Standard Keying	Brown	MC82C4BRLS
Standard Keying	Silver	MC82C4SLS
Standard Keying	White	MC82C4WLS
Standard Keying	Polished Brass	MC82C4PBLS
Standard Keying	Satin Chrome	MC82C4SCLS
Standard Keying	Special	MC82C4(SPEC)LS

Keyed Alike available in key numbers: 102, 162, 435, 498 and 762.

### PATIOBOLT COMPONENTS



#### TRADE PACK







Bolt - Standard (50mm reach)	Zinc Plated	82C4B
Bolt - Long (80mm reach)	Zinc Plated	82C4BL



Description	Finish	Part Number
-------------	--------	-------------

Patiobolt continued...

PATIOBOLT COMPONENTS CONTINUED...

TRADE PACK		
	Knob	Black 82/92C4KNBLK
	Knob	Brown 82/92C4KNBR
	Knob	Silver 82/92C4KNS
	Knob	White 82/92C4KNW
	Screw Cover	Black 82C4CBLK
	Screw Cover	Brown 82C4CBR
	Screw Cover	Silver 82C4CS
	Screw Cover	White 82C4CW
	Screw Cover	Polished Brass 82C4CPB
	Packer	Black 82C4PBLK
	Packer	Brown 82C4PBR
	Packer	Silver 82C4PS
	Packer	White 82C4PW
	Packer	Polished Brass 82C4PPB
	Keeper Plate	82C4KP
	Screw Pack - Square Drive	82C4SP
	Wire Spring	Stainless Steel 82/92S
	Ferrule for Bolt Hole	Stainless Steel PQ9224



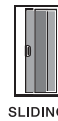
Description	Finish	Part Number
-------------	--------	-------------

## Lockbolt

**BOLT WITH 5-PIN TUMBLER CYLINDER (ACCEPTS 001 INNER PLUG) FOR HIGHER SECURITY KEYING SYSTEMS**

Suitable for these types of doors:

- Timber
- uPVC
- Aluminium



DISPLAY PACK		
	Black	MC80C4BLK
	Silver	MC80C4S
TRADE PACK		
	Black	MC80C4BLKLS
	Silver	MC80C4SLS

## LOCKBOLT COMPONENTS



TRADE PACK		
Bolt - Long (70mm reach with knob)	Black	80BL
Screw Cover	Black	80BLK
Screw Cover	Silver	80CS
Keeper Plate	Silver	82KP
Ferrule for Bolt	All Colours	82/93F*
<i>*Specify colour</i>		
Packer - 6mm	Black	80P

Description	Finish	Part Number
-------------	--------	-------------

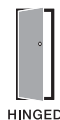
Door Security Accessories



Door Bolt

DOOR LOCKING BOLT WITH SPLINE KEY

Suitable for these types doors: Timber



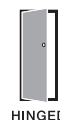
DISPLAY PACK

Door Locking Bolt with Spline Key	Polished Brass	MC11PB
Door Locking Bolt with Spline Key	White	MC11W

Securichain

MORTICE TYPE SECURICHAIN

Suitable for these types doors: Timber



DISPLAY PACK

Mortice Type	Satin Chrome	MC41SC
Mortice Type	F/Bronze	MC41FB
Mortice Type	Polished Brass	MC41PB

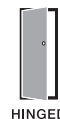
BULK PACK

Mortice Type	Satin Chrome	20120
Mortice Type	Bright Chrome	20121
Mortice Type	Polished Brass	20122
Mortice Type	F/Bronze	20123

Door Guard

SURFACE MOUNTED DOOR GUARD

Suitable for these types doors: Timber



DISPLAY PACK

Solid Door Guard Surface Mounted	Satin Chrome	MC715SC
Solid Door Guard Surface Mounted	Polished Brass	MC715PB

TRADE PACK

Solid Door Guard Surface Mounted	Satin Chrome	715SC
Solid Door Guard Surface Mounted	Polished Brass	715PB

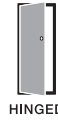
Description	Finish	Part Number
-------------	--------	-------------

## Hingebolt

### DOOR STRENGTHENING HINGEBOLT



Suitable for these types of doors:  Timber



#### DISPLAY PACK

Door Strengthening Bolt	Satin Chrome	MC10
-------------------------	--------------	------

## Door Viewer

### 200° DOOR VIEWER



Suitable for these types of doors:  Timber  
 uPVC  
 Aluminium



#### DISPLAY PACK

200° View	Satin Chrome	MC96SC
200° View	Polished Brass	MC96PB

#### TRADE PACK

200° View	Satin Chrome	96SC
200° View	Polished Brass	96PB

## Door Closer

### CONCEALED DOOR CLOSER



Suitable for these types of doors:  Timber



#### DISPLAY PACK

Concealed Door Closer	Bronze	MC20
-----------------------	--------	------

## Magnetic Latch

### CONCEALED MAGNETIC LATCH



Suitable for these types of doors:  Timber



#### TRADE PACK

Concealed Latch	Satin Chrome	HMAGNET
-----------------	--------------	---------

Description	Finish	Part Number
-------------	--------	-------------

Cylinder Rim Locks



Nightlatch

RIM NIGHTLATCH - WITH INSIDE SNIB AND 6-PIN LW4 CYLINDER



DISPLAY PACK		
Cylinder	Satin Chrome	MC170SC
Cylinder	F/Bronze	MC170FB
Cylinder	Polished Brass	MC170PB

RIM NIGHTLATCH - BODY STRIKE & SCREW PACK (EXCLUDING CYLINDER)



TRADE PACK		
Boxed	Silver	170S
Boxed	Brown	170BR
Turn Knob Hold Back Without Snib	Brown	172BR

Description

Finish

Part Number

Keying

Securicraft®

**INTERLOCK™**

Key Blanks

## INTERLOCK KEYS



### TRADE PACK

C4 Profile 5-Pin

Brass

KBSC5

## SPLINE KEY



### TRADE PACK

For MC11, MC14

Nickel Plated

11KEY

## AVON KEY



### TRADE PACK

For Avon and Wedgeless Deluxe Handles

Nickel Plated

8761

- Key No.088

## MC35 SECURITURN - C4 KEY BLANK



### TRADE PACK

5-Pin

Nickel Plated

KB35L5

5-Pin, C4 MC1235

Nickel Plated

KB1235L5

6-Pin

Nickel Plated

KB35L6

3-Pin

Nickel Plated

KB35L3

Description	Finish	Part Number
-------------	--------	-------------

**Securiturn Removable Thumbturn**

**SECURITURN WITH 5-PIN C4 KEY BLANK, STANDARD CAP**



DISPLAY PACK		
Removable Thumbturn and Release Key	Satin Chrome	MC35L5SC
TRADE PACK		
Removable Thumbturn and Release Key	Satin Chrome	MC35L5LSSC
Removable Thumbturn and Release Key	Polished Brass	MC35L5LSPB

**SECURITURN WITH 5-PIN C4 KEY BLANK, LOW PROFILE CAP**



TRADE PACK		
Removable Thumbturn and Release Key	Satin Chrome	MC35L5LPLSSC

**SECURITURN WITH 6-PIN C4 KEY BLANK, STANDARD CAP**



DISPLAY PACK		
Removable Thumbturn and Release Key	Satin Chrome	MC35L6SC
TRADE PACK		
Removable Thumbturn and Release Key	Satin Chrome	MC35L6LSSC
Removable Thumbturn and Release Key	Polished Brass	MC35L6LSPB

**SECURITURN WITH 6-PIN C4 KEY BLANK, LOW PROFILE CAP**



TRADE PACK		
Removable Thumbturn and Release Key	Satin Chrome	MC35L6LPLSSC

**SECURITURN REMOVABLE THUMBTURN COMPONENTS**



TRADE PACK		
Securiturn - Release Key	Red	35RK



TRADE PACK		
Standard Replacement Cap	Black	35CAPB
Standard Replacement Cap	Special	35CAP(SPEC)
Standard Replacement Cap	Polished Brass	35CAPPB
Standard Replacement Cap	Satin Chrome	35CAPSC

*\*Excludes plastic insert*



Plastic Insert		C2761
----------------	--	-------

Description	Finish	Part Number
-------------	--------	-------------

Keying Services

KEY CUTTING



TRADE PACK		
Key Cutting Charge		CUTKEY
<i>Note: Does not include key blank.</i>		
5-Pin Keys		
Cut to Sample or Code		KC5PIN
6-Pin Keys		
Cut to Sample or Code		KC6PIN

REKEYING



TRADE PACK		
5 or 6-Pin Single Cylinder		
Keying Alike to Sample Key or Key No.		REKEY1CYL
<i>Note: Include 2 keys per cylinder</i>		
5 or 6-Pin Double Cylinder		
Keying Alike to Sample Key or Key No.		REKEY2CYL
<i>Note: Include 2 keys per cylinder</i>		
6-Pin, Euro Cylinder & Turn Assembly to suit 5-Pin key		REKEY6TO5PIN

CONSTRUCTION KEYING



TRADE PACK		
LW4 compatible pin tumbler cylinders for 5 or 6-pin cylinders		CONKEY
<i>Note: Includes 4 servant keys per house lot.</i>		

MASTER KEYING



TRADE PACK		
For Motels, Hotels and Commercial Applications Grand Master Keying, Master Keying, Keyed Alike & Keyed to Differ		
Double Cylinder - with 2 Servant Keys		MASTERKEYDC
Single Cylinder - with 2 Servant Keys		MASTERKEY
<i>Note: Includes 2 x GMK and/or MK keys, 2 x Servant Keys per KA group or KD lock</i>		
Rekeying CYL4 Cylinder (excluding keys)		REKEYC4

Description	Finish	Part Number
-------------	--------	-------------

**CYL4 Version 2 Components**

**CYL4 VERSION 2 COMPONENTS**

**TRADE PACK**

**CYL4 Keying Kit (For use with Version 2 MC81C4 to MC93C4 Cylinders)**

Keying Kit for rekeying small product with the CYL4 wafer cylinder		CYL4-400
--	--	----------



**CYL4 Key Gauge (For use with CYL4 Wafer Cylinder & C4 Pintumbler Cylinders)**

Gauge for reading key codes for CYL4 wafer & C4 Pintumbler products	Stainless Steel	CYL4-500
---	-----------------	----------



**CYL4 Cylinder Components (For use with Version 2 MC81C4 to MC93C4 Cylinders)**

Wafers 0	Stainless Steel	CYL4-0
Wafers 1	Stainless Steel	CYL4-1
Wafers 2	Stainless Steel	CYL4-2
Wafers 3	Stainless Steel	CYL4-3
Wafers 4	Stainless Steel	CYL4-4
Wafers 5	Stainless Steel	CYL4-5
Wafers 6	Stainless Steel	CYL4-6
Wafers 7	Stainless Steel	CYL4-7
Wafers 8	Stainless Steel	CYL4-8
Wafers 9	Stainless Steel	CYL4-9
Retaining Wafers	Stainless Steel	CYL4-16
Wafer Springs	Stainless Steel	CYL4-36

**CYL4 CYLINDERS (FOR USE WITH VERSION 2, MC81C4 TO MC93C4 CYLINDERS)**

**TRADE PACK**



Complete Wafer Cylinder assembly*	Satin Chrome	CYL4-12
-----------------------------------	--------------	---------

\* 2 keys available in key numbers 102, 162, 435, 762 & 498.

Wafer Cylinder Barrel only - Version 2	C/Plated	CYL4-11
--	----------	---------

Note: Version 2 Cylinders are not compatible with Version 1 locks

**Rekeying CYL4 Cylinders**

Keying alike to sample key or Securicraft key number, excluding keys		REKEYC4
--	--	---------



**CYL4 Key Blank**

3-Pin C4 Keyway Key Blank	Brass	M1798KB
---------------------------	-------	---------



Description	Finish	Part Number
-------------	--------	-------------

**CYL4 Version 1 Components**

**VERSION 1 CYLINDERS**



<b>TRADE PACK</b>		
CYL4 Cylinders (For use with MC82, MC85 and MC93)		82/93C4CYL



CYL4 Cylinders (For use with MC70)		70C4CYL
------------------------------------	--	---------

*Note: Version 1 Cylinders are compatible with Version 1 and Version 2 locks*

**CL4 Cylinder Components**



A Wafers	Stainless Steel	C2796A
B Wafers	Stainless Steel	C2796B
C Wafers	Stainless Steel	C2796C
D Wafers	Stainless Steel	C2796D
E Wafers	Stainless Steel	C2796E
Retaining Wafers	Stainless Steel	P2798
Wafer Springs	Stainless Steel	P1751



<b>Cut Keys</b>		
Securiturn Key Cut 5-Pin		KCMC35L5SC
Securiturn Key Cut 6-Pin		KCMC35L6SC

# Securistay Window Restrictor

INTERLOCK™

ASSA ABLOY

ASSA ABLOY, the global leader  
in door opening solutions.



The Securistay is a window restrictor that provides ventilation for at home security.

Designed for use with projected top hung and projected side hung windows, the Securistay limits the sash opening to 100mm. This allows for safer ventilation and provides child safety particularly in multi-storey buildings. It is suitable for pivoting timber, aluminium or uPVC sashes.

## Features

- To guard against injury caused by falling, the opening is restricted to 100mm, in compliance with NZBC Acceptable Solution F4/AS1
- As an enhanced security feature, full window opening can only be obtained when the Securistay arm is disengaged
- Offering three notched, at-rest setting positions, the Securistay provides additional sash control in windy situations
- A stainless steel security sleeve encircles the arm, locking it to the frame plate pin, discouraging jimmying
- The Securistay is manufactured from materials selected to provide a maintenance-free life
- New Zealand made

## Options

- 'A' type - aluminium joinery
- 'T' type - timber joinery
- Available in a range of colours to complement any window design and finish



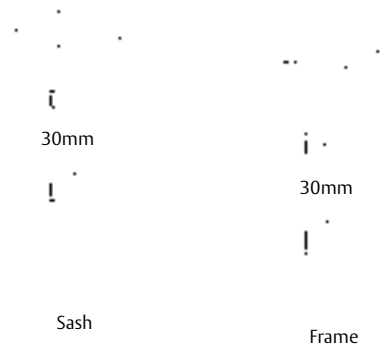
# Securistay

## Window Restrictor

Aluminium



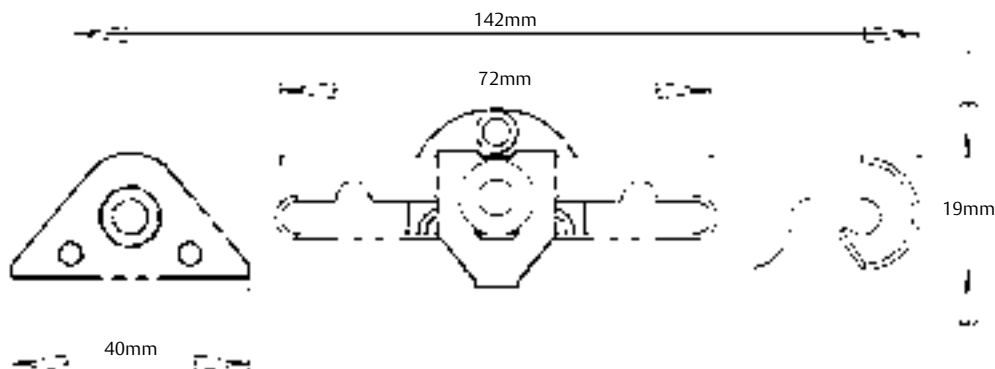
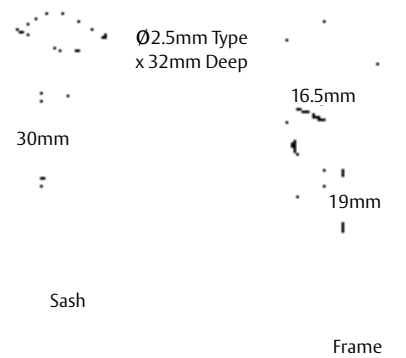
Aluminium



Timber



Timber



Timber Securistay is shown

# Sashlock Window Bolt

INTERLOCK™

ASSA ABLOY

ASSA ABLOY, the global leader  
in door opening solutions.



The Sashlock is a robust surface mounted press-lock designed to help aluminium windows resist forced entry. Suitable for top hung and side hung sashes, the Sashlock incorporates a unique design that locks the window sash to the frame.

## Features

- Easy to activate deadlock with Daylatch function
- High quality pressure die-cast construction with concealed fixing screws
- Packers available to allow the Sashlock to fit most designs of aluminium joinery
- Can be keyed alike to other ASSA ABLOY CYL4™ locks for one key convenience
- New Zealand made

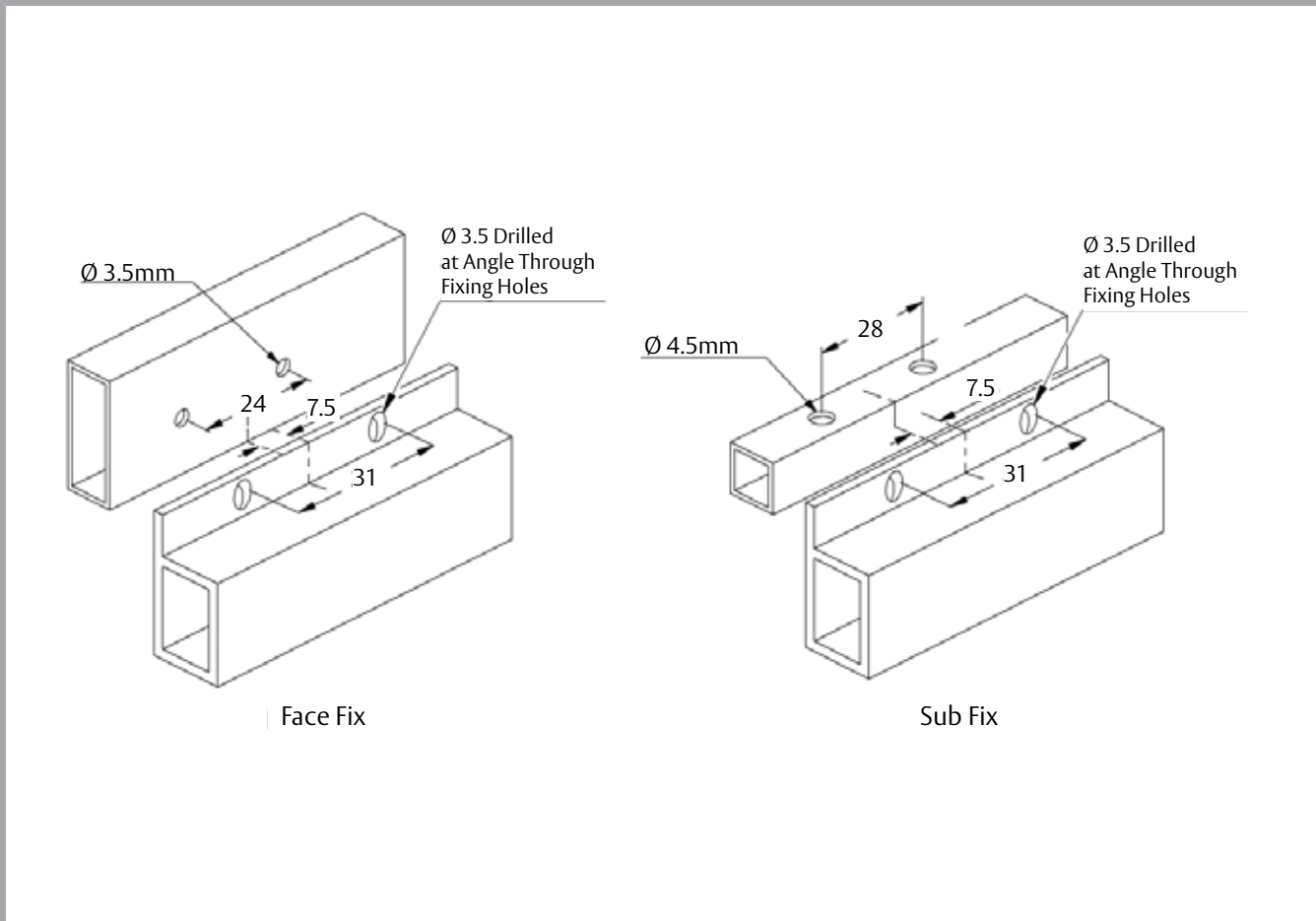
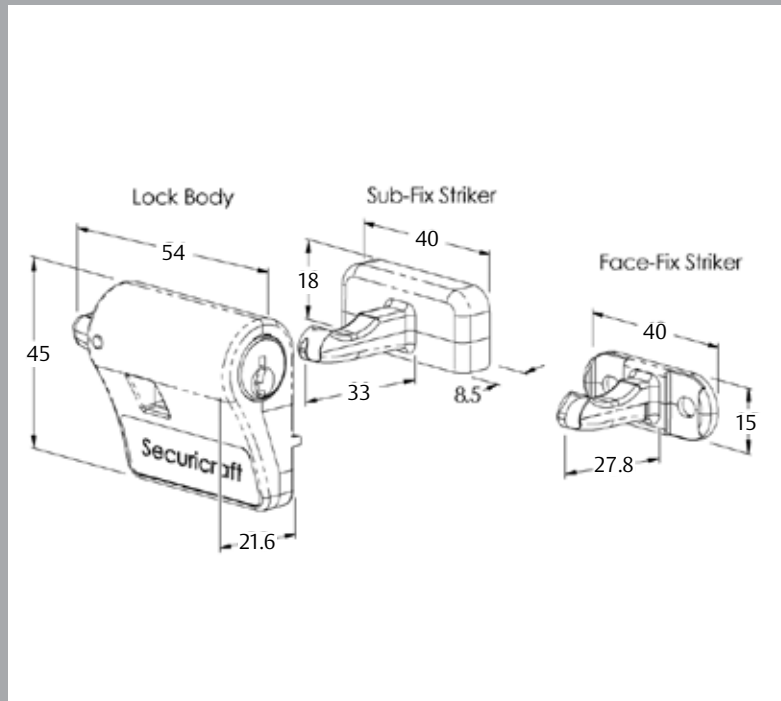
## Options

- Method of fixing options:
  - Face fix
  - Sub fix
- Available in a range of colours to complement any window design and finish



# Sashlock

## Window Bolt



RES-FIX-027 04-10NZ

# Ventlock Window Bolt

**INTERLOCK™**  
**ASSA ABLOY**

ASSA ABLOY, the global leader  
in door opening solutions.



This unique product is specifically designed to provide additional security to horizontal sliding windows. The easy to operate deadlocking Ventlock allows a pin to be inserted into the frame of the sliding window in a number of positions providing a deadlock.

## Features

- Secure deadlocking bolt for top security
- The versatile design allows for compatibility with most window suites
- Simple to install
- Concealed fixing screws
- Easy to operate by the press of a button
- Can be keyed alike to other ASSA ABLOY CYL4™ locks for one key convenience
- New Zealand made

## Options

- The base of the Ventlock is designed to allow for face fixing or side fixing
- Available in a range of colours to complement any window design and finish

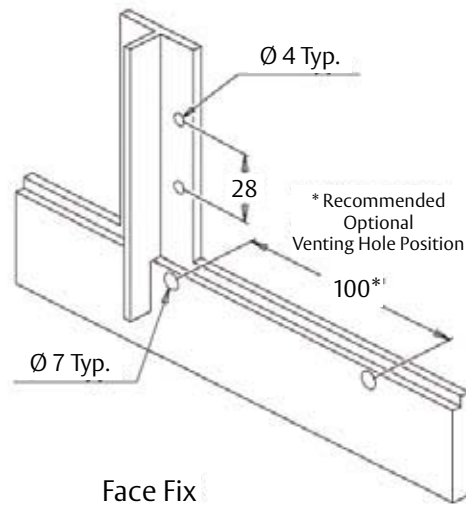
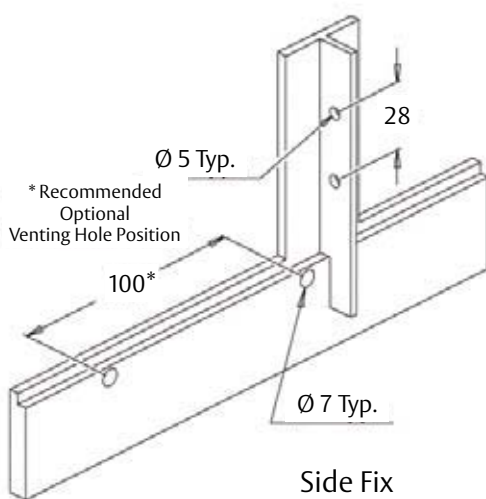
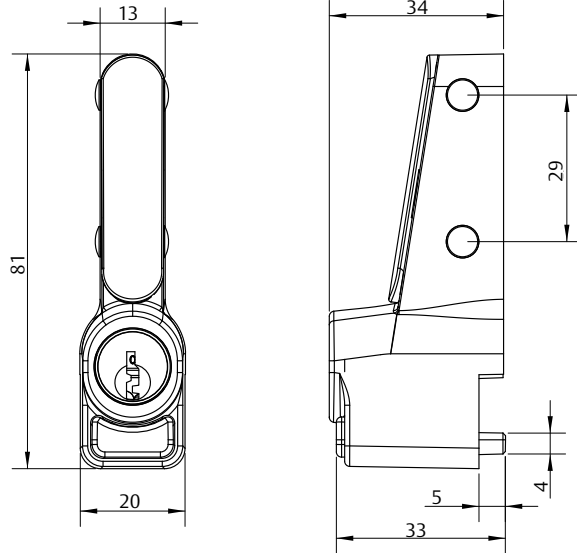




# Ventlock

## Window Bolt

**INTERLOCK™**  
**ASSA ABLOY**



RES-ELY-025 04-10NZ

ASSA ABLOY New Zealand Ltd.  
PO Box 100407, North Shore  
North Shore City 0745

6 Armstrong Road, Albany  
North Shore City 0632  
New Zealand

Within New Zealand:  
Tel +64 9 415 8031  
Fax 0800 478 297  
www.assaabloy.co.nz

Outside New Zealand:  
Tel +64 9 921 7630  
Fax +64 9 921 6504  
www.assaabloy.co.nz

ASSA ABLOY, the global leader  
in door opening solutions.

# Multi-bolt Window Bolt

INTERLOCK™

ASSA ABLOY

ASSA ABLOY, the global leader  
in door opening solutions.



The Multi-bolt is designed for safe bolting or deadlocking of timber, aluminium or uPVC single or double hung sash, awning and casement windows.

## Features

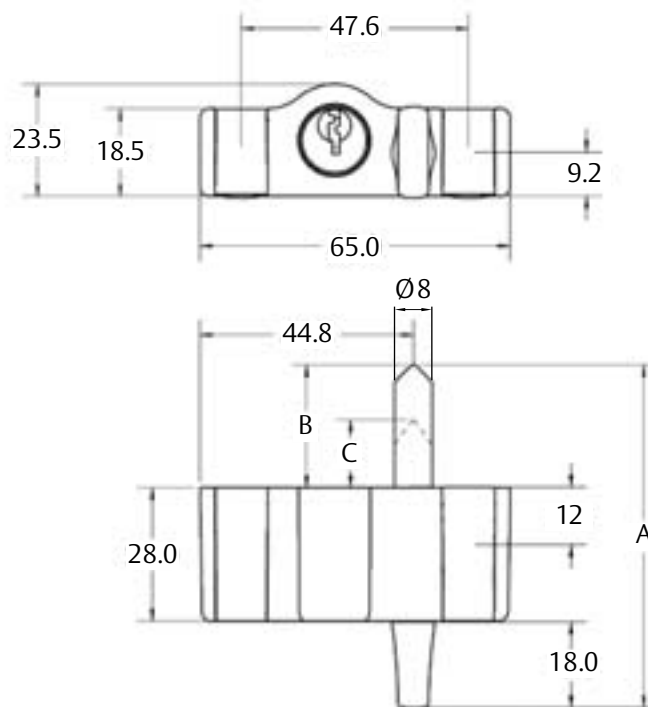
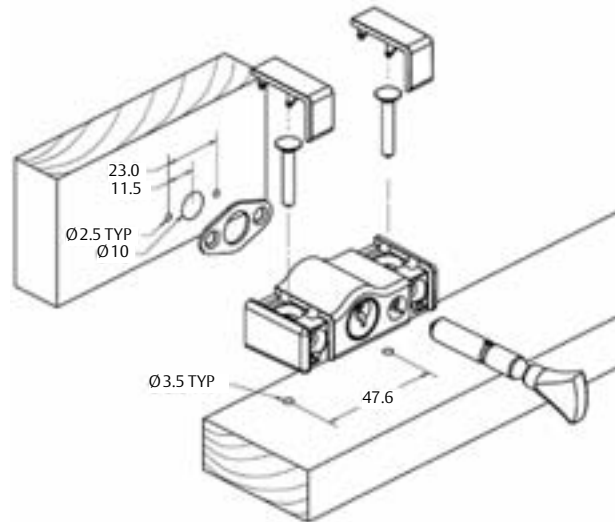
- Robust lock body for maximum strength, and secure deadlocking
- Bolt can be engaged with or without locking cylinder
- One way fixing screws come standard for top security
- Easy to install
- Bolt can only be removed from the lock body by the key holder
- Can be keyed alike to other ASSA ABLOY CYL4™ locks for one key convenience
- New Zealand made

## Options

- The standard bolt length is 106.5mm
- The short bolt length is 71.5mm
- The standard bolt thrown length is 61mm and the unthrown length is 30.5mm
- The short bolt thrown length is 26mm and the unthrown length is 3.5mm
- Available in a range of colours to complement any window design and finish



# Multi-bolt Window Bolt



	A - Bolt length	B - Bolt thrown length	C - Bolt unthrown length
Standard bolt	106.5mm	61mm	30.5mm
Short bolt	71.5mm	26mm	3.5mm

# Presslock Window Bolt

**INTERLOCK™**  
**ASSA ABLOY**

ASSA ABLOY, the global leader  
in door opening solutions.



The Presslock window lock is designed to give added security to multiple timber window applications. With its simplicity of design it makes locking up easy, while being compact and discrete.

## Features

- Push button to deadlock
- Strongly constructed lock body for maximum durability and strength
- Versatile for a range of window applications
- Easy to install
- Stainless steel ferrule for added security
- Can be keyed alike to other ASSA ABLOY CYL4™ locks for one key convenience
- New Zealand made

## Options

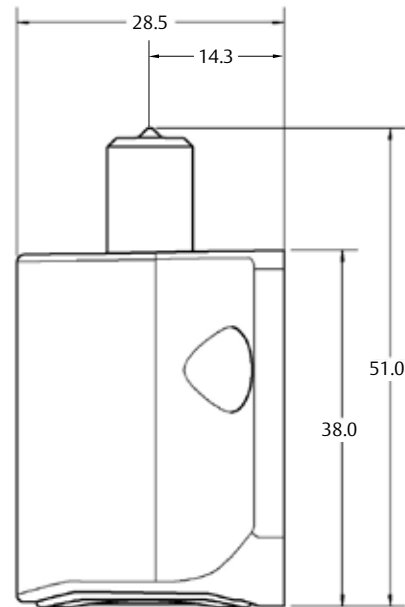
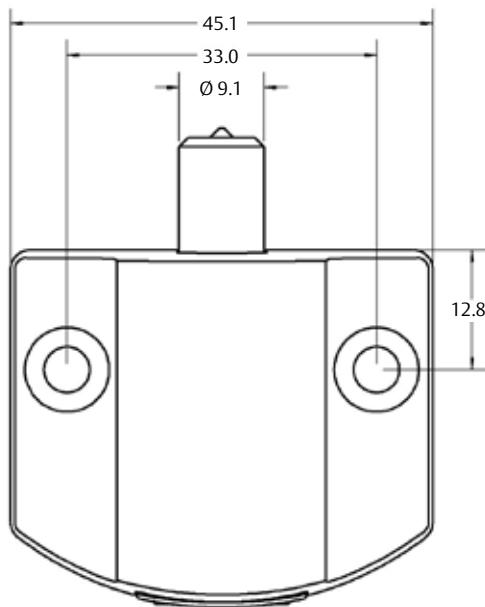
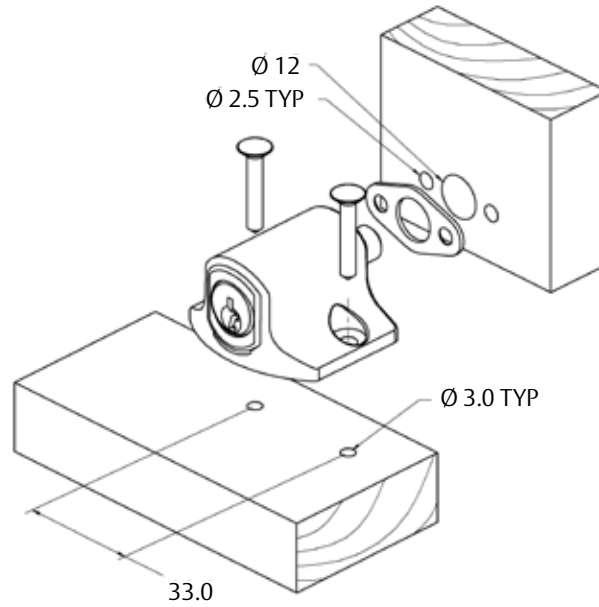
- One way fixing screws for top security
- Available in a range of colours to compliment any window design and finish



# Presslock

## Window Bolt

**INTERLOCK™**  
**ASSA ABLOY**



RES-FY-029 04 10NZ

ASSA ABLOY New Zealand Ltd.  
PO Box 100407, North Shore  
North Shore City 0745

6 Armstrong Road, Albany  
North Shore City 0632  
New Zealand

Within New Zealand:  
Tel 09 415 8031  
Fax 0800 478 297  
[www.assaabloy.co.nz](http://www.assaabloy.co.nz)

Outside New Zealand:  
Tel +64 9 921 7630  
Fax +64 9 921 6504  
[www.assaabloy.co.nz](http://www.assaabloy.co.nz)

ASSA ABLOY, the global leader  
in door opening solutions.

# Pushlock Window Bolt

INTERLOCK™

ASSA ABLOY

ASSA ABLOY, the global leader  
in door opening solutions.



The Pushlock is a secure locking window bolt for deadlocking timber or uPVC awning, casement, sliding or double hung windows. The strongly constructed lock body provides maximum strength for any window that requires more security.

## Features

- 8mm diameter bolt provides real security
- Reversible bolt to allow cylinder to be located on the left or the right of the lock body to suit application
- Concealed fixing for security and style
- Easy to install
- Stainless steel ferrule for added security
- Can be keyed alike to other ASSA ABLOY CYL4™ locks for one key convenience
- New Zealand made

## Options

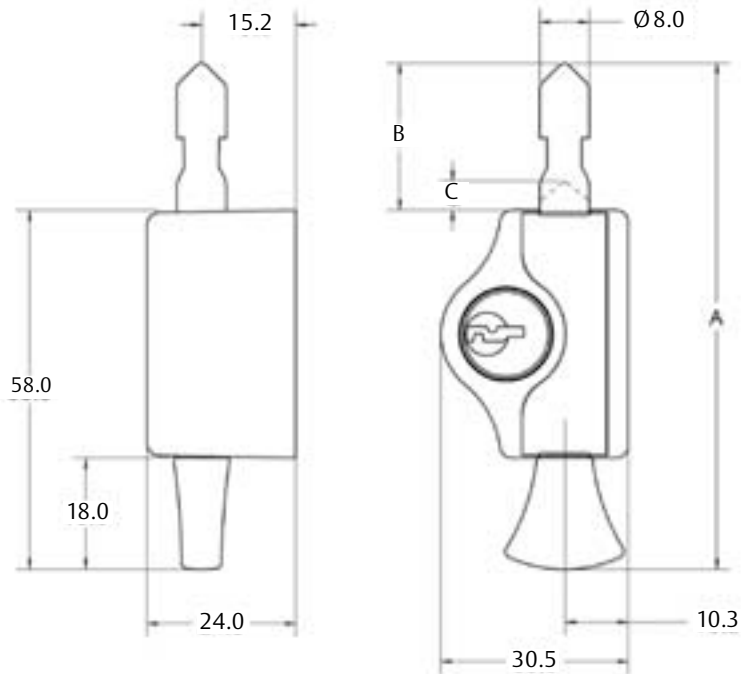
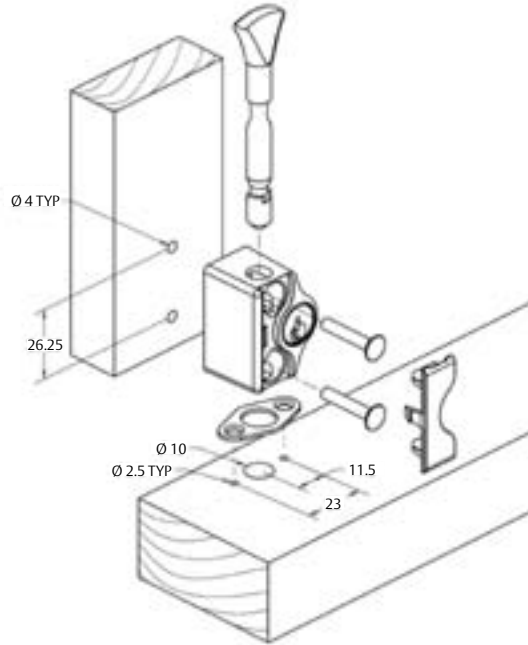
- Available in a range of colours to complement any window design and finish





# Pushlock

## Window Bolt



	A - Bolt length	B - Bolt thrown length	C - Bolt unthrown length
Standard bolt	81.5mm	24mm	0mm

# Midibolt

INTERLOCK™

ASSA ABLOY

ASSA ABLOY, the global leader  
in door opening solutions.



The Midibolt is a secure deadlocking bolt for awning, casement, sliding, double hung windows and some door applications. Suitable for use on timber, aluminium or uPVC applications, the Midibolt is ideal for larger windows that require extra security.

## Features

- 9.5mm heavy gauge bolt providing good security
- Deadlocking bolt for top security
- Reversible bolt allows cylinder to be located on the left or the right of the lock body to suit the application
- Bolt can be engaged with or without locking cylinder
- Bolt remains in the body when disengaged
- Concealed fixing for security and style
- Easy to install
- Can be keyed alike to other ASSA ABLOY CYL4™ locks for one key convenience
- Supplied with two ferrules to enable safe venting with the Midibolt remaining in a bolted position
- New Zealand made

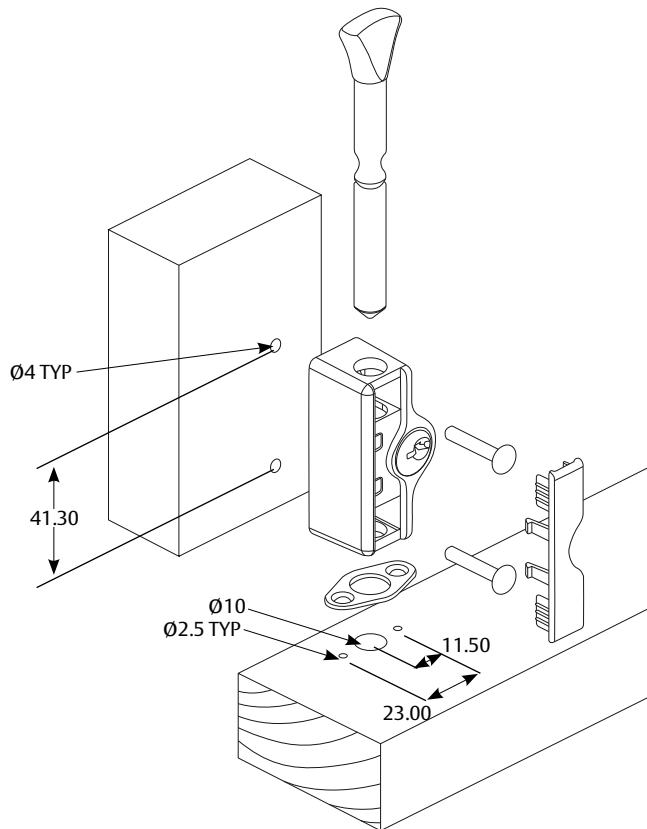
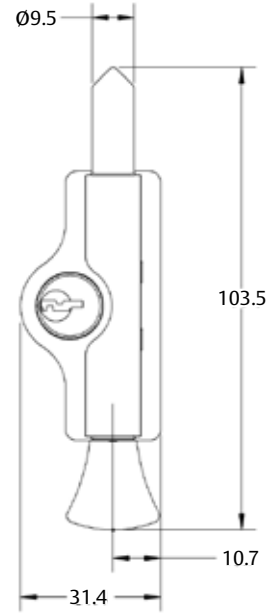
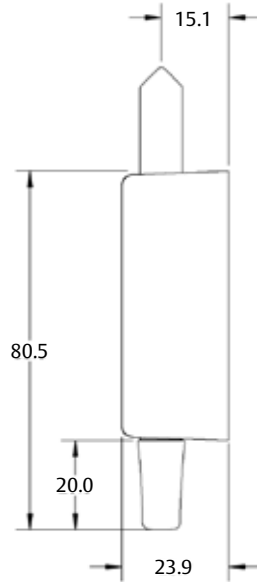
## Options

- Available in a range of colours to complement any window design and finish

# Midibolt

## Deadlocking Bolt

**INTERLOCK™**  
**ASSA ABLOY**



RES-FLY-006 04-10NZ

ASSA ABLOY New Zealand Ltd.  
 PO Box 100407, North Shore  
 North Shore City 0745

6 Armstrong Road, Albany  
 North Shore City 0632  
 New Zealand

Within New Zealand:  
 Tel 09 415 8031  
 Fax 0800 478 297  
[www.assaabloy.co.nz](http://www.assaabloy.co.nz)

Outside New Zealand:  
 Tel +64 9 921 7630  
 Fax +64 9 921 6504  
[www.assaabloy.co.nz](http://www.assaabloy.co.nz)

ASSA ABLOY, the global leader  
 in door opening solutions.

# Patiobolt Door Bolt

**INTERLOCK™**  
**ASSA ABLOY**

ASSA ABLOY, the global leader  
in door opening solutions.



The Patiobolt is a secure deadlocking bolt for use with timber, aluminium and uPVC hinged, sliding or bi-fold doors.

## Features

- 9.5mm heavy gauge bolt providing good security
- Deadlocking bolt for top security
- Reversible bolt allows cylinder to be located on the left or the right of the lock body to suit the application
- Bolt can be engaged with or without locking cylinder
- Bolt remains in the body when disengaged
- Concealed fixing for security and style
- Easy to install
- Can be keyed alike to other ASSA ABLOY CYL4™ locks for one key convenience
- Supplied with two ferrules to enable safe venting with the Patiobolt remaining in a bolted position
- New Zealand made

## Options

- The base model can be enhanced to suit a variety of specialised applications by use of one of the bolt options available :
  - The standard bolt length is 155.5mm
  - The long bolt length is 185.5mm
  - The standard bolt thrown length is 50mm and the unthrown length is 9.5mm
  - The long bolt thrown length is 80mm and the unthrown length is 39.5mm
- Available in range of colours to complement any door design and finish

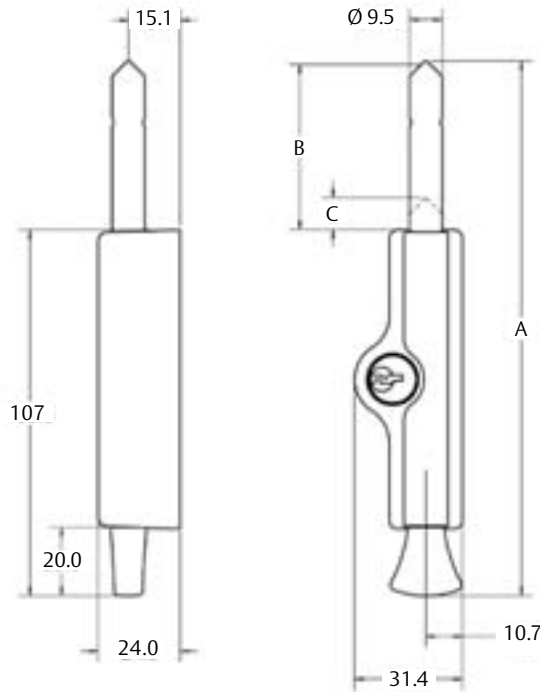
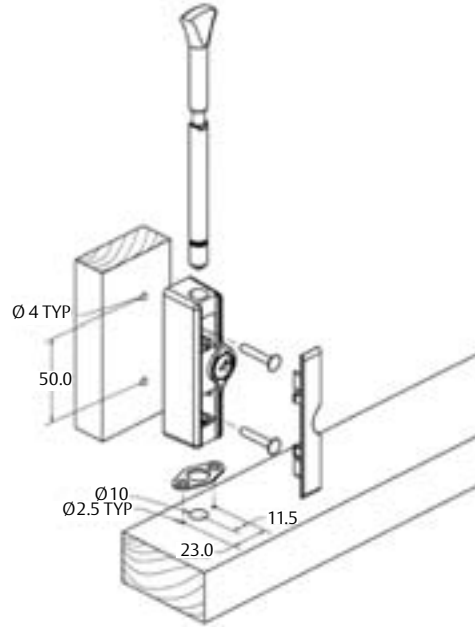


# Patiobolt

## Door Bolt

INTERLOCK™

ASSA ABLOY



	A - Bolt length	B - Bolt thrown length	C - Bolt unthrown length
Standard bolt	155.5mm	50mm	9.5mm
Extended bolt	185.5mm	80mm	39.5mm

RES-FEY-030-04-10NZ

ASSA ABLOY New Zealand Ltd.  
PO Box 100407, North Shore  
North Shore City 0745

6 Armstrong Road, Albany  
North Shore City 0632  
New Zealand

Within New Zealand:  
Tel 09 415 8031  
Fax 0800 478 297  
www.assaabloy.co.nz

Outside New Zealand:  
Tel +64 9 921 7630  
Fax +64 9 921 6504  
www.assaabloy.co.nz

ASSA ABLOY, the global leader  
in door opening solutions.

# Lockbolt Door Bolt

INTERLOCK™  
ASSA ABLOY

ASSA ABLOY, the global leader  
in door opening solutions.



The Lockbolt is a strong, heavy-duty, surface mounted product to improve security in a range of residential sliding and hinge door applications. It has been designed to suit a wide range of aluminium and timber sliding patio and hinge door applications.

## Features

- 9.5mm heavy gauge bolt providing better security
- Deadlocking bolt for top security
- Suitable for left or right handed timber or aluminium doors, it is ideal for new construction or to upgrade existing security
- Reversible bolt allows cylinder to be located on the left or the right of the lock body to suit the application
- Bolt can be engaged with or without locking cylinder
- Bolt remains in the body when disengaged
- Concealed fixing for security and style
- Easy to install
- Can be keyed alike to other ASSA ABLOY CYL4™ for one key convenience

## Options

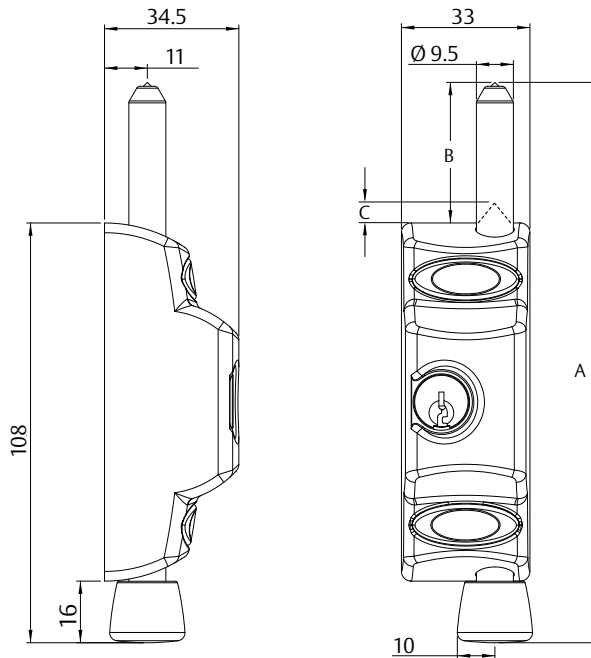
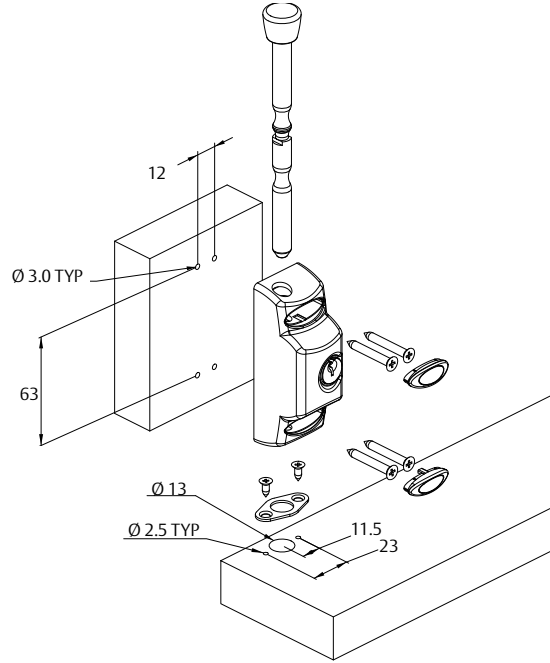
- Available in black or silver



# Lockbolt

## Door Bolt

**INTERLOCK™**  
**ASSA ABLOY**



	A - Bolt length	B - Bolt thrown length	C - Bolt unthrown length
Standard bolt	145mm	36mm	1mm

ASSA ABLOY New Zealand Ltd.  
PO Box 100407, North Shore  
North Shore City 0745

6 Armstrong Road, Albany  
North Shore City 0632  
New Zealand

Within New Zealand:  
Tel 09 415 8031  
Fax 0800 478 297  
www.assaabloy.co.nz

Outside New Zealand:  
Tel +64 9 921 7630  
Fax +64 9 921 6504  
www.assaabloy.co.nz

ASSA ABLOY, the global leader  
in door opening solutions.

# Securichain Door Security Accessory

**INTERLOCK™**  
**ASSA ABLOY**

ASSA ABLOY, the global leader  
in door opening solutions.



For use with standard hinged, inward opening doors with a minimum thickness of 34mm. The design and function of the product is ideal for use in residential or hotel applications to view before greeting a visitor.

## Features

- Concealed fixing screws into the door frame
- Any impact forces are imposed in a sheer action of the fixing screws allowing a greater resistance
- Visual unlock indicator
- Activated by a simple on/off switch
- New Zealand made

## Options

- Plated finishes include: polished brass, satin chrome and florentine bronze

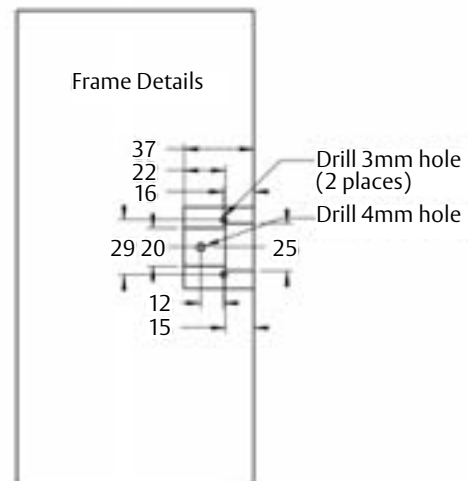
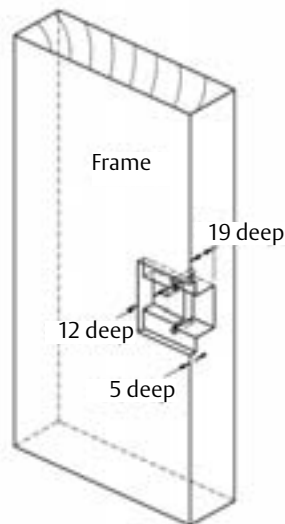
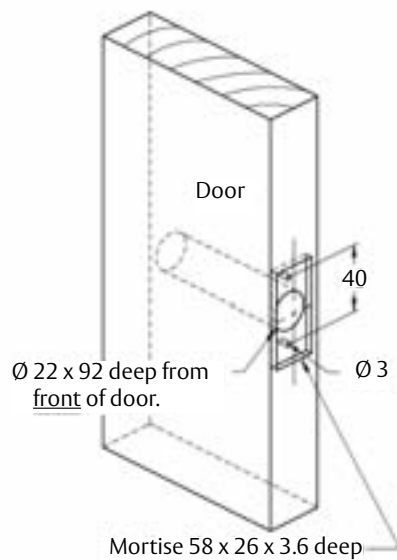
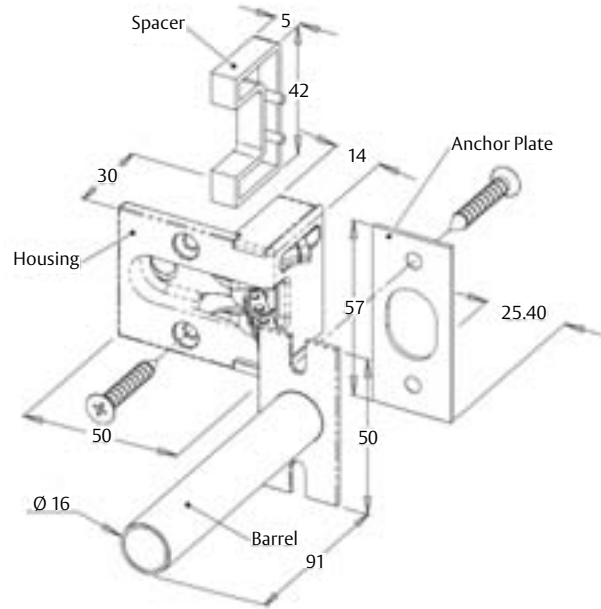


# Securichain

## Door Security Accessory

**INTERLOCK™**

**ASSA ABLOY**



N.B. If architrave over 15mm and door over 40mm thick, locate centre of barrel hole 18mm in from inner edge of door

RES-ELY-056-04-10NZ

# Securicloser

## Door Security Accessory



The Interlock Securicloser provides automatic closure of timber or aluminium doors fitted with standard hinges. The closing power is adjustable without removing the unit from the door and can be set to door size and weight. The Securicloser is strong, durable, hidden from view and fits most standard doors.

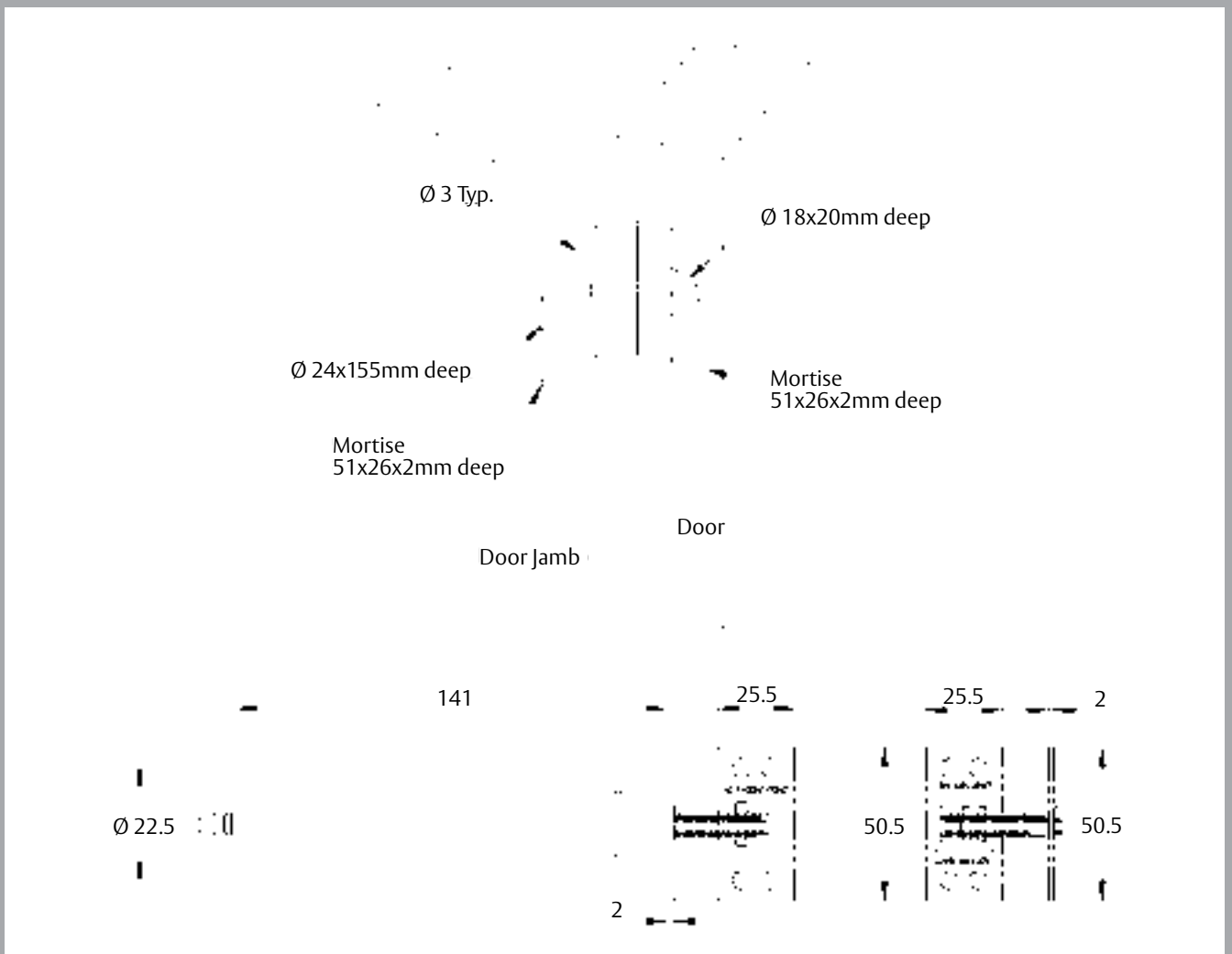
### Features:

- Closes nuisance doors, stops heat loss and ensures privacy
- For use on doors up to 50kg (108lb). For doors above this weight, use multiple door closers
- Fixing position can be adapted to door design
- Installations can be reversed if more suitable for barrel to be inserted into door frame and frame plate fitted to door edge
- New Zealand made

### Options:

- Available in bronze

**Note:** the Securicloser is not suitable where limited air displacement or extremely draughty conditions exist



RES-ENV-057 0410NZ



## Doorbolt

- A concealed locking door bolt for discrete security
- Strong quality construction and increases attack resistance
- For use with timber doors
- Available in polished brass or white
- The Windowbolt is offered for timber windows



## Door Guard

- Allows safer inspection of visitors
- For use with inward opening doors
- Available in satin chrome or polished brass



## Hingebolt

- Provides for higher security in outward opening doors as well as extra security for standard doors
- Plated steel bolts and plates increase door attack resistance
- Two bolts for each door
- For use with all timber doors
- Available in satin chrome



## Door Viewer

- Allows safe inspection of visitors with a wide 200° angle lens
- Precision optical lens
- Suitable for door thicknesses from 35-60mm
- For use with timber, uPVC or aluminium doors
- Available in satin chrome or polished brass



## Magnetic Latch

- Designed as a concealed door latch
- Easy to install with one part screwed into the door and the other part into the door jamb
- Prevents the need for latches to be routed into the door
- For use with timber doors
- Available in satin chrome



## Rim Cylinder Nightlatch

- For new and retrofit inward opening hinged doors
- High quality zinc alloy construction
- For use with timber doors
- Can be keyed alike to other ASSA ABLOY CYL4™ locks for one key convenience



# Securiturn™ Removable Thumbturn

INTERLOCK™  
ASSA ABLOY

ASSA ABLOY, the global leader  
in door opening solutions.



The Securiturn™ is a convenient, safe and secure removable thumbturn for double cylinder locks, which can be easily removed when the building is secured, using a release key. The innovative design allows new and existing double cylinders to have the everyday convenience of the thumbturn which can be removed when the premises are unoccupied.

## Features

- Easy to operate
- Simple but effective security
- Incorporates safety when utilising double cylinder locks
- Thumbturn with 'Red Safe Plug' conforms to NZ Building Act "Means of Escape" clause 7.2.2
- Precision design and quality construction
- **Euro Cylinder Note:** A feature of Securiturn™ when used in Euro Cylinders is that key access from outside will be prevented by turning Securiturn™ from the correct vertical position. Consequently, do not leave Securiturn™ in the inside cylinder of the main access door as key entry could be prevented
- New Zealand made

## Options

- Provided complete with release key
- 5 pin and 6 pin cylinders
- Plated finishes include: polished brass and satin chrome

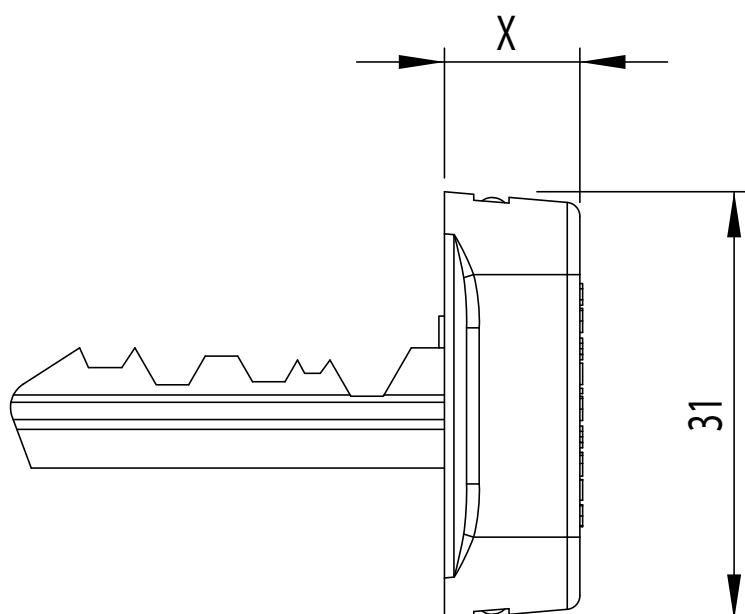




# Securiturn™

## Removable Thumbturn

**INTERLOCK™**  
**ASSA ABLOY**



Low profile      x = 10mm  
Standard profile      x = 16mm

**Thumbturn**